

PPUH AUTO-HAK Sp.J.

Henryk & Zbigniew Nejman
ul. Słoneczna 16K 76-200 SŁUPSK
POLAND

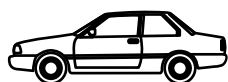
tel/fax +48 059 8-414-414; 8-414-413

e-mail: office@autohak.com.pl

www.autohak.com.pl



AUTO-HAK



SUZUKI JIMNY 3/5 D

Cat. no:

W16A



09.1998 → 2018

e20

e20*94/20*1142*01

D

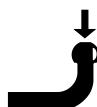
6,9 kN



2h



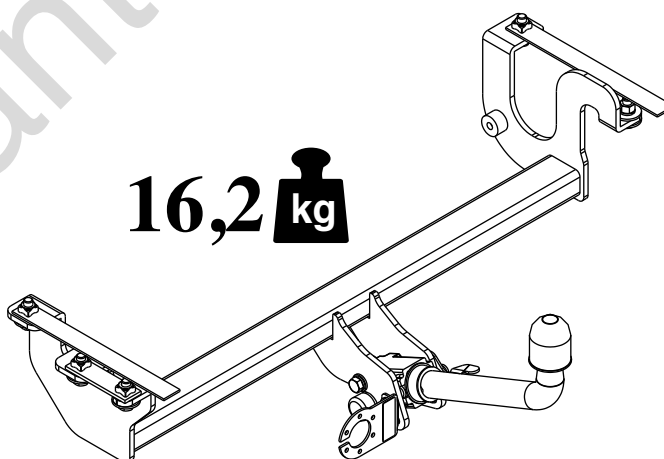
R=1300 kg



S=75 kg



16,2 kg



M6 - 11 Nm
M10 - 50 Nm
M14 - 138 Nm

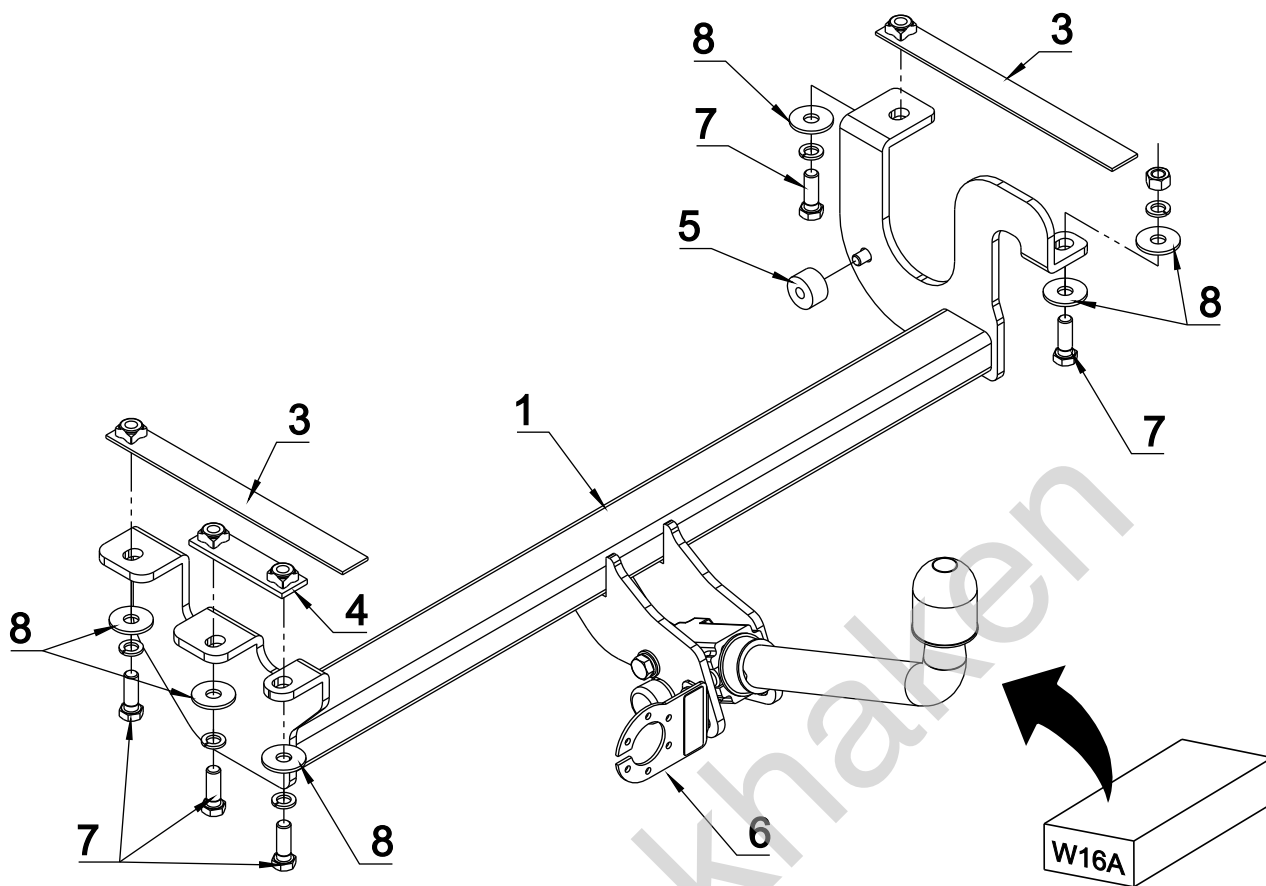
M8 - 25 Nm
M12 - 87 Nm
M16 - 210 Nm

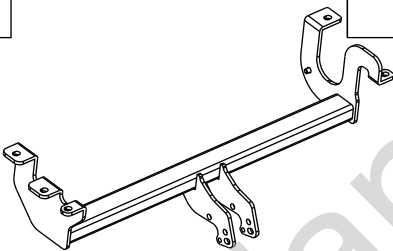

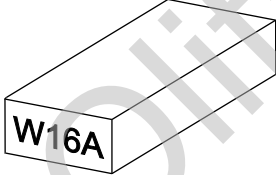



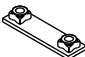
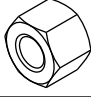

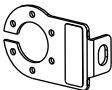


0 km →



1000 km



1		x1		7 M12x35	x5
2	 <p>W16A</p> <p>Art.nr-Z100 Art.nr-KL1W16A</p>	x1		8 \varnothing 37x \varnothing 13x3 13 (DIN 9021)	x6
3		x2		9 \varnothing 12.2	x5
4		x1		10 M12	x1
5		x1			
6		x1	Art.nr-BL1W16A		

