

PPUH AUTO-HAK Sp.J.

Henryk & Zbigniew Nejman
ul. Słoneczna 16K 76-200 SŁUPSK
POLAND


tel/fax +48 059 8-414-414; 8-414-413

e-mail: office@autohak.com.pl


www.autohak.com.pl




AUTO-HAK


 **SUZUKI**
GRAND VITARA 3/5 drz.
⌚ 03.1998 → 09.2005
GRAND VITARA XL-7
⌚ 09.2001 → 09.2005


Cat. no:
W08A


 **1,5h**


 **E20** **E20-55R-01 4745**

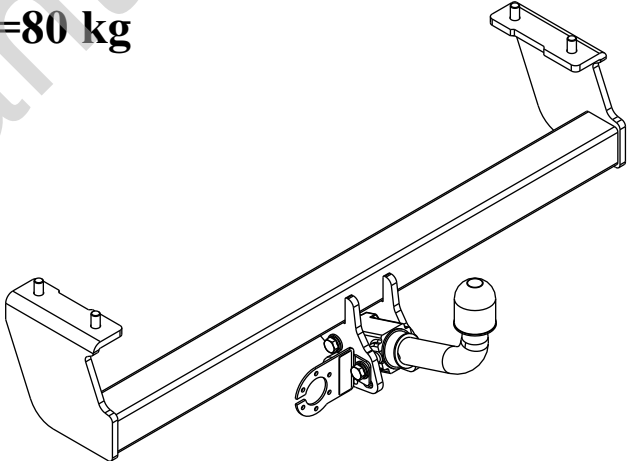
D 10,43 kN


 **R=1850 kg**



 **S=80 kg**

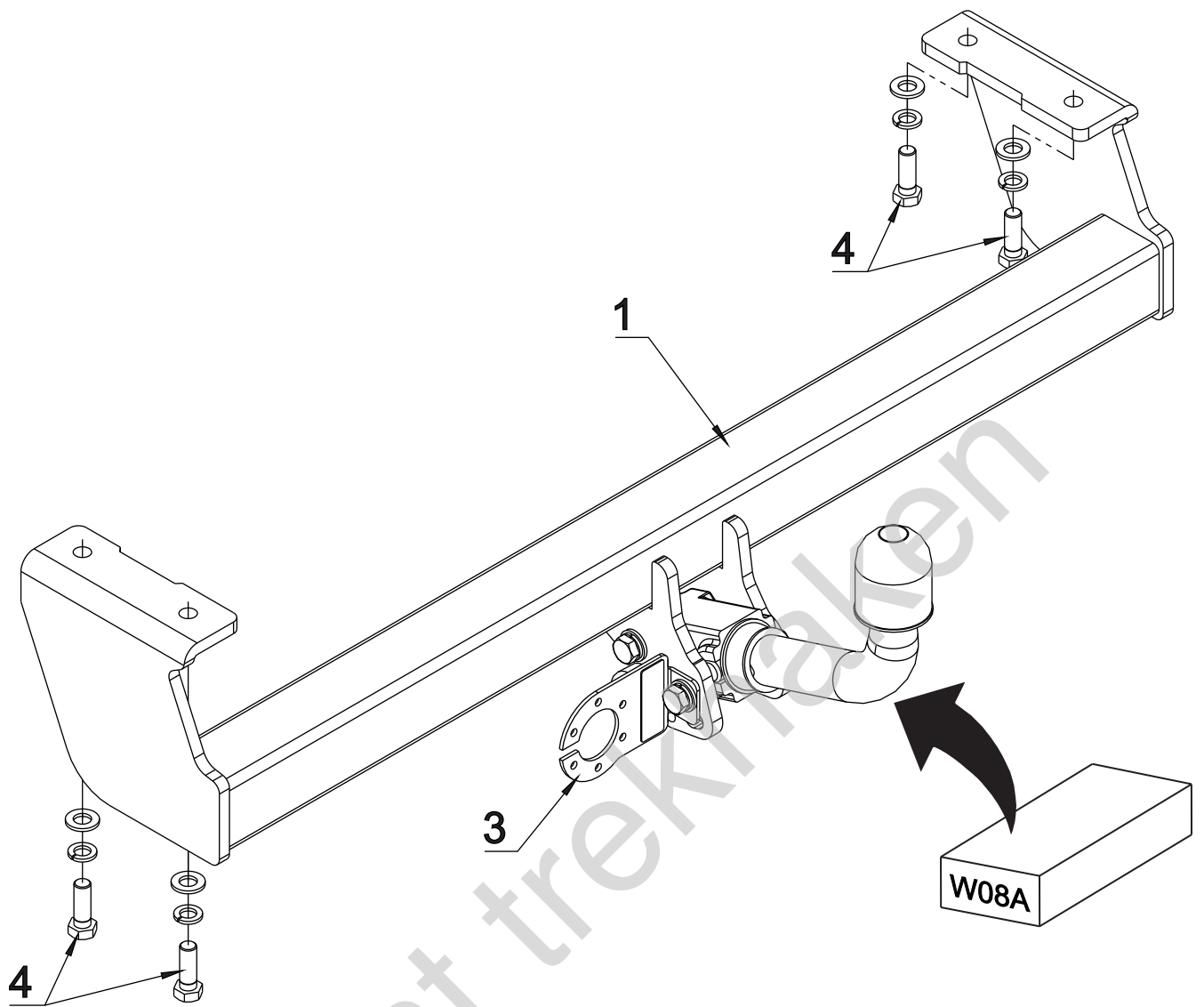


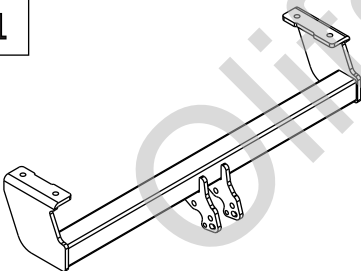
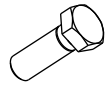
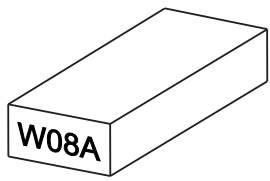
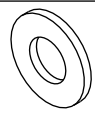
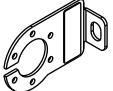
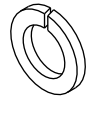


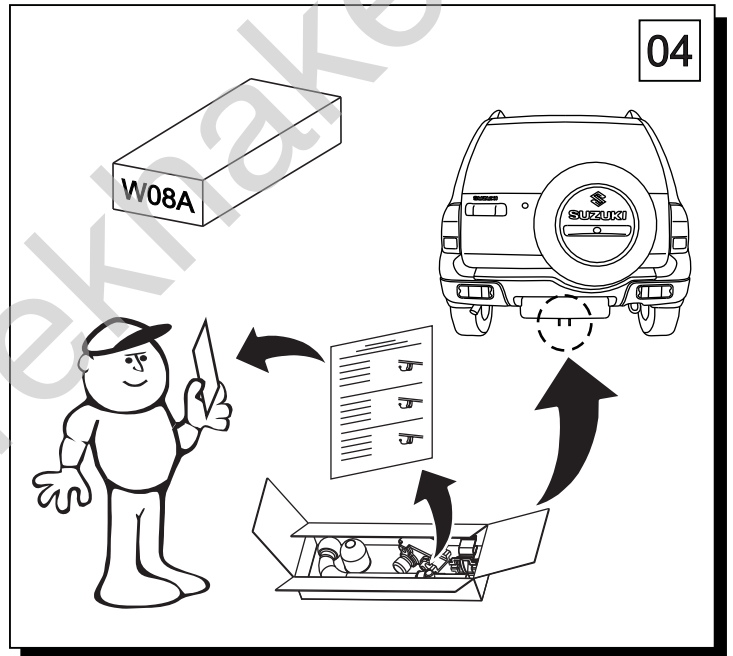
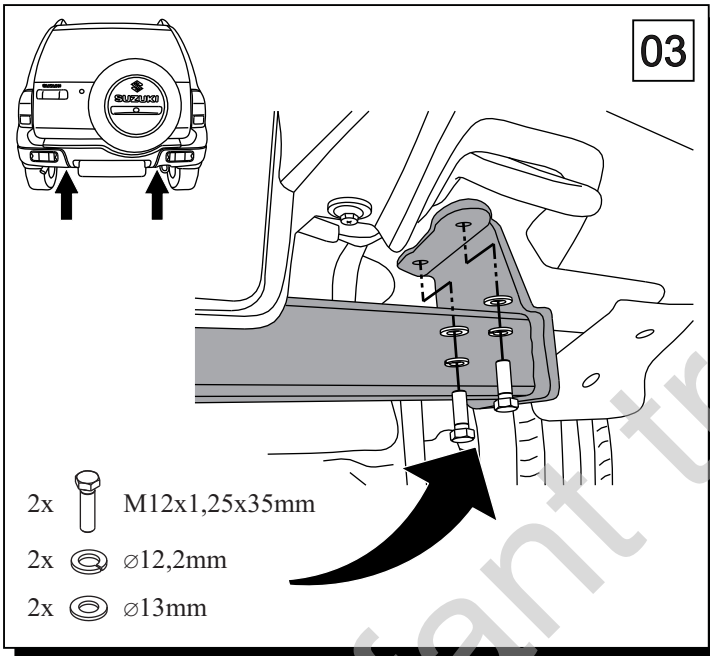
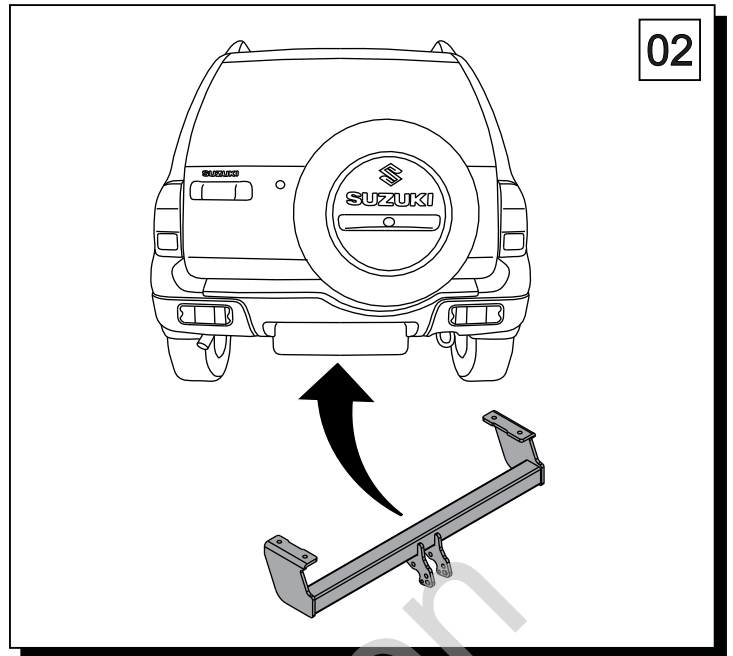
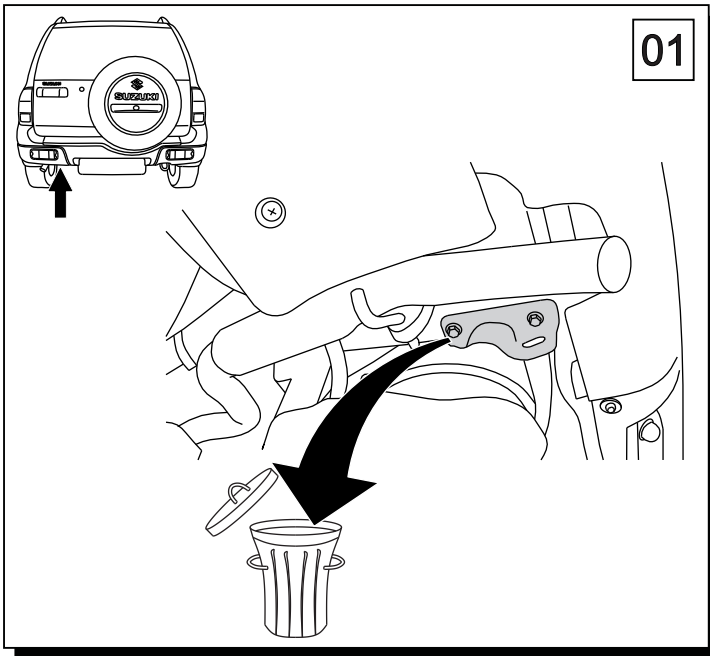



 **M6 - 11 Nm** **M8 - 25 Nm**
M10 - 50 Nm **M12 - 87 Nm**
M14 - 138 Nm **M16 - 210 Nm**



 **0 km** →  **1000 km**



	x1		4 M12x1,25x35	x4
	x1 Art.nr-KL1W08A		5 \varnothing 13	x4
	x1 Art.nr-BL1W08A		6 \varnothing 12.2	x4

M6	-	11 Nm	M8	-	25 Nm
M10	-	50 Nm	M12	-	87 Nm
M14	-	138 Nm	M16	-	210 Nm

 **0 km** \rightarrow  **1000 km**