

AUTO-HAK Sp. z o.o.

ul. Słoneczna 16K 76-200 SŁUPSK
POLAND

tel/fax +48 59 8 414 414; +48 59 8 414 413

e-mail: office@autohak.com.pl

www.autohak.com.pl



AUTO-HAK

NISSAN X- TRAIL IV (T33)

Nr kat.

V83A



09.2022 →



E20*55R02*6831



11,50 kN



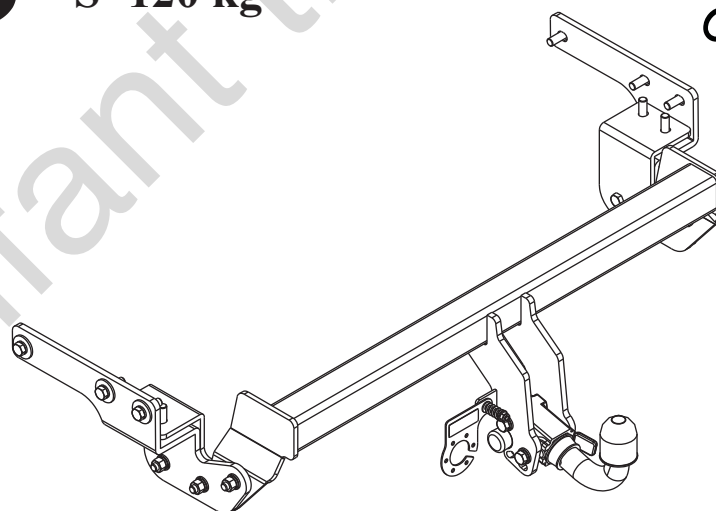
R=2000 kg



S=120 kg



2h



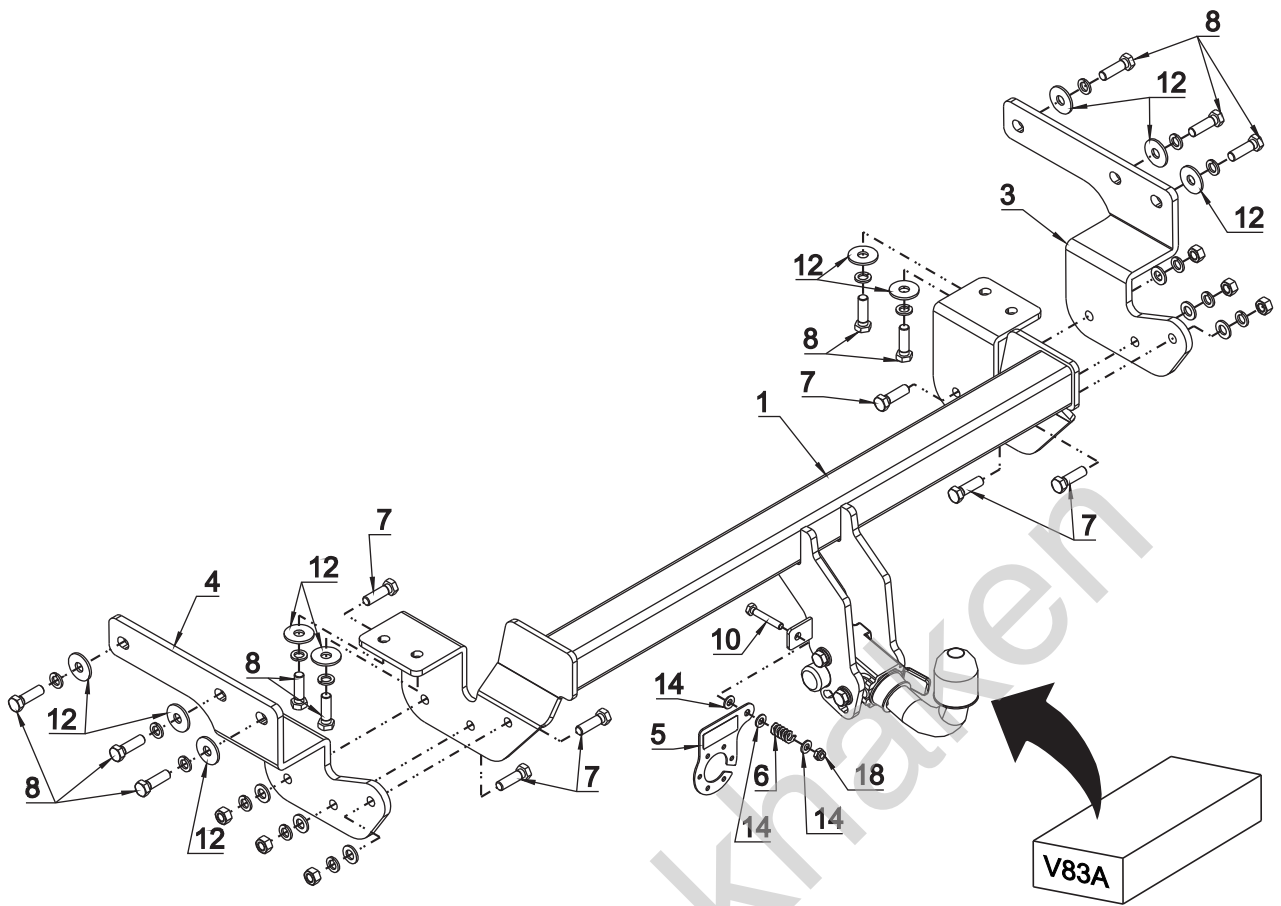
śruba	Nm	M6	M8	M10	M12	M14	M16
klasa 8.8		9,9	24	48	83	132	200
klasa 10.9		14	34	67	117	185	285

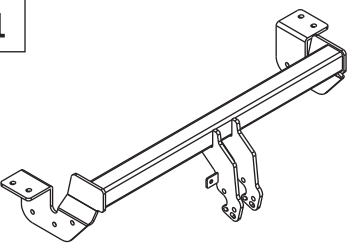

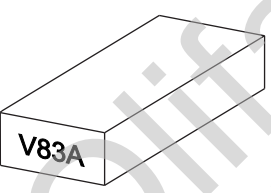

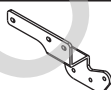

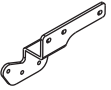
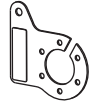

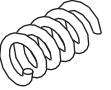




0 km →

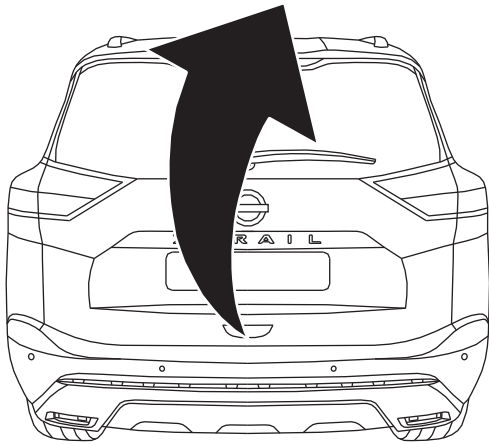


1000 km

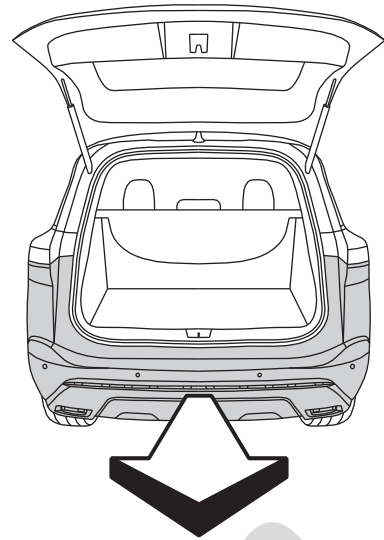


 1	x1		7 M12x40	x6
			8 M12x1.25x40	x10
			9 M10x1.25x25	x2
			10 M8x50	x1
 2	x1		11 \varnothing 13	x6
			12 \varnothing 37x \varnothing 13x3 13 (DIN 9021)	x10
			13 \varnothing 30x \varnothing 10.5x2.5 10 (DIN 9021)	x2
 3	x1		14 \varnothing 8.4	x3
 4	x1		15 \varnothing 12.2	x16
 5	x1		16 \varnothing 10.2	x2
			Art.nr-BL1V83A	17 M12
 6	x1		18 M8 (DIN985)	x1
19	x3			

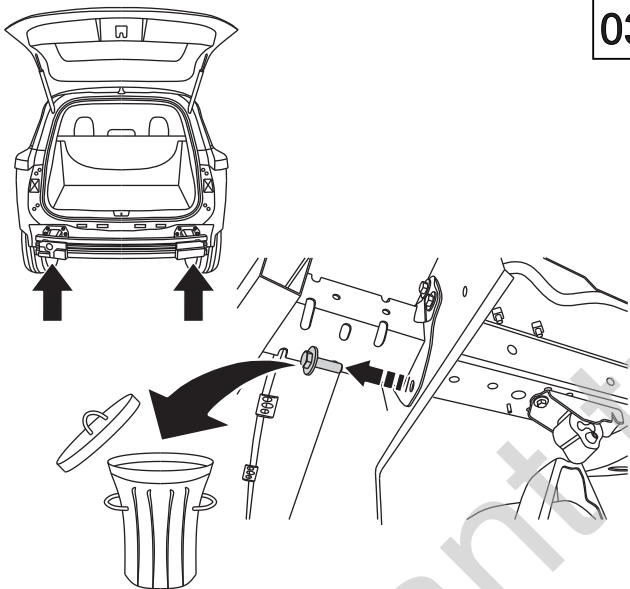
01



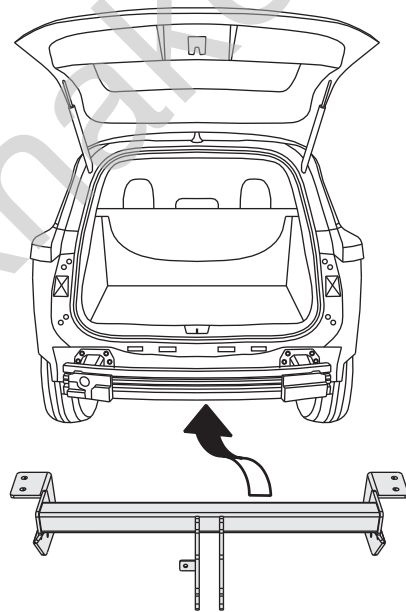
02



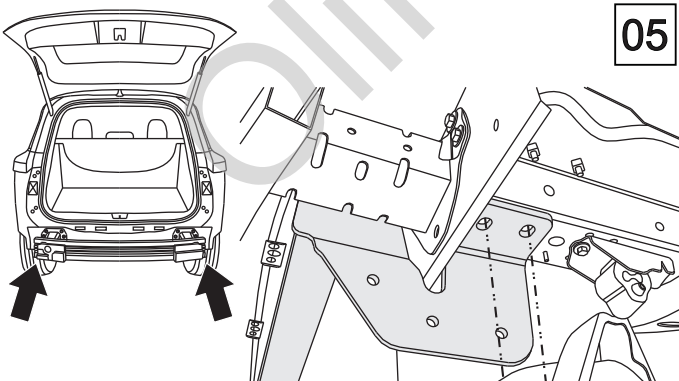
03



04



05

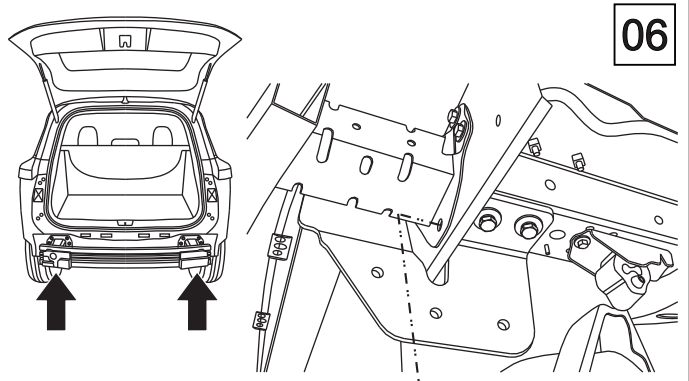


2x M12x1.25x40mm

2x \varnothing 12,2mm

2x \varnothing 37x \varnothing 13x3mm

06



1x M10x1.25x20mm

1x \varnothing 10,2mm

1x \varnothing 30x \varnothing 10,5x2,5mm

