

AUTO-HAK Sp. z o.o.

ul. Słoneczna 16K 76-200 SŁUPSK
POLAND

tel/fax +48 59 8 414 414; +48 59 8 414 413

e-mail: office@autohak.com.pl

www.autohak.com.pl




AUTO-HAK

NISSAN JUKE (F16)

 09.2019 →

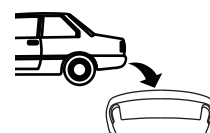
Nr kat.


V82A

 E20*55R02*6661


 2h

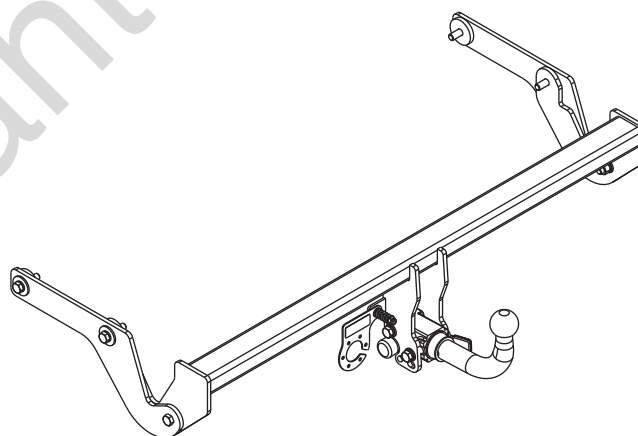
D 7,5 kN



 R=1350 kg

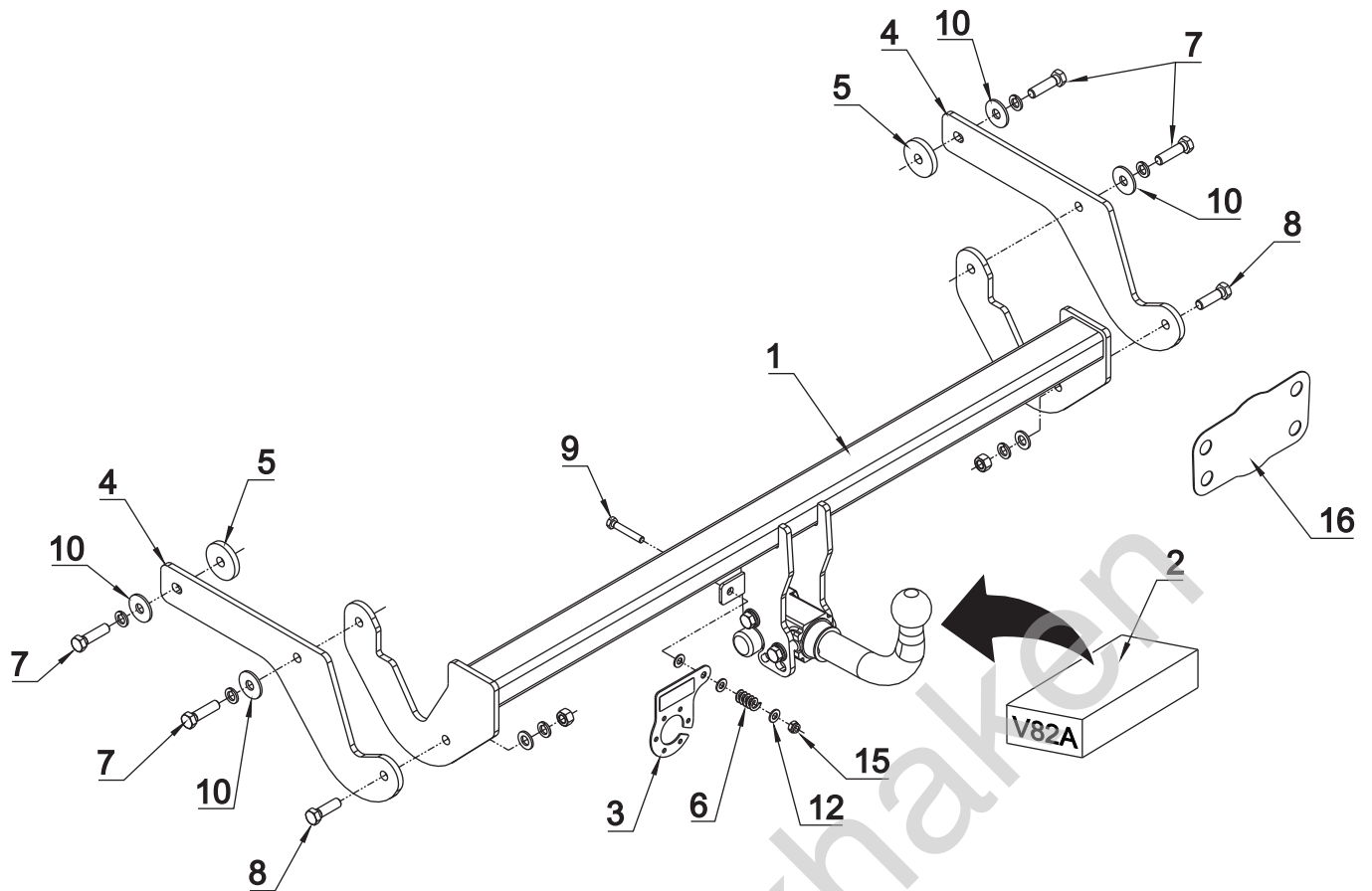


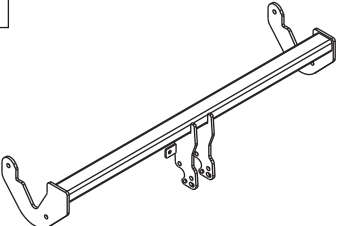

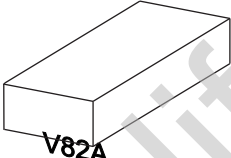



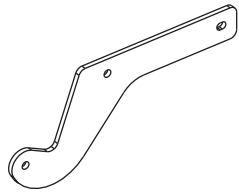


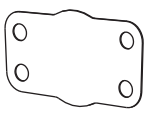
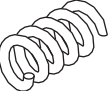
 S=85 kg



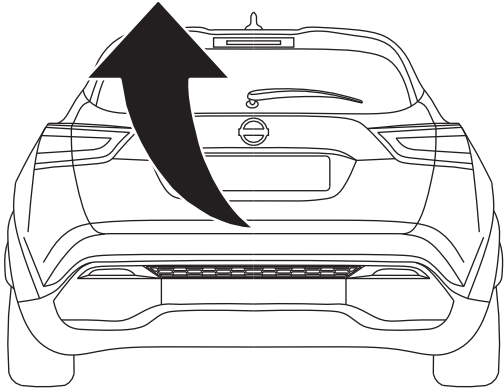
śruba	Nm	M6	M8	M10	M12	M14	M16
klasa 8.8		9,9	24	48	83	132	200
klasa 10.9		14	34	67	117	185	285

 0 km →  1000 km

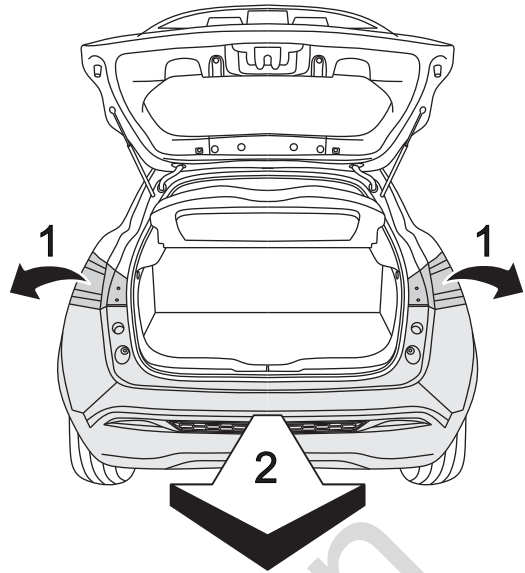


	x1		7	M12x45	x4
			8	M12x40	x2
			9	M8x50	x1
			10	∅ 37x∅13x3 13 (DIN 9021)	x4
	x1		11	∅ 13	x2
			12	∅ 8.4	x3
			13	∅ 12.2	x6
	x1		14	M12	x2
			Art.nr-KL1V82A		
	x2		15	M8 (DIN985)	x1
			Art.nr-BL1V82A		
	x2		16		x1
			∅50x13x8mm		
	x1				

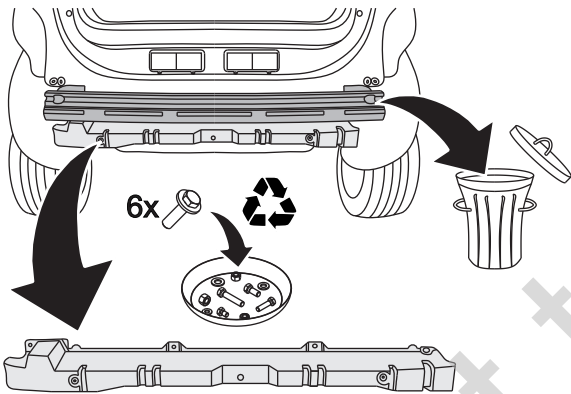
01



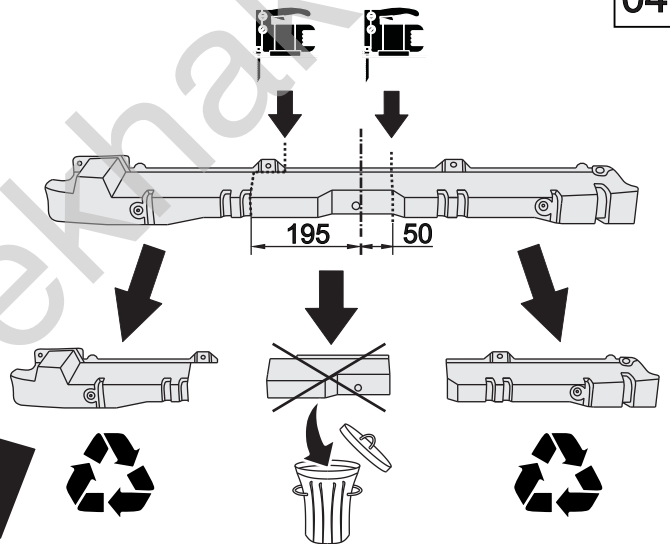
02



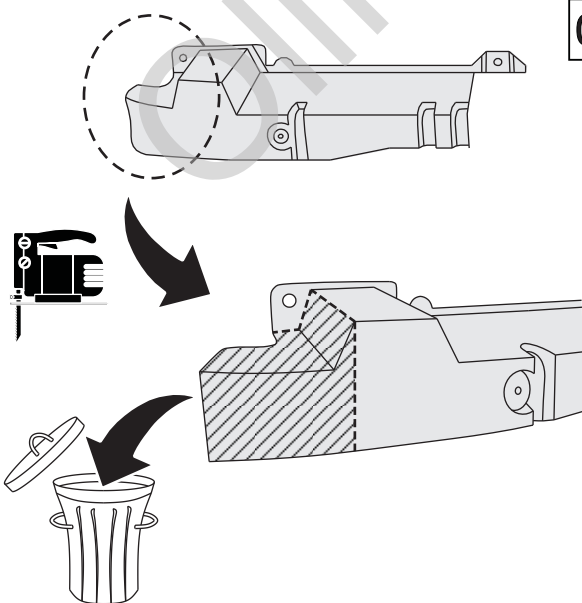
03



04



05



06

