

AUTO-HAK Sp. z o.o.

ul. Słoneczna 16K 76-200 SŁUPSK
POLAND

tel/fax +48 59 8 414 414; +48 59 8 414 413


e-mail: office@autohak.com.pl

www.autohak.com.pl




AUTO-HAK


NISSAN QASHQAI III (J12)

HYBRID  facelift


Nr kat.

V81A

 03.2021 → 05.2024
06.2024 →

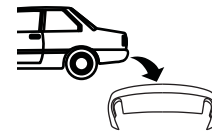
 E20*55R02*6666

D 11,50 kN


 R=2100 kg

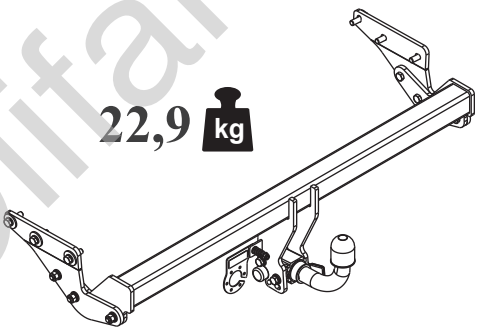
 S=115 kg


 2h





 22,9 kg



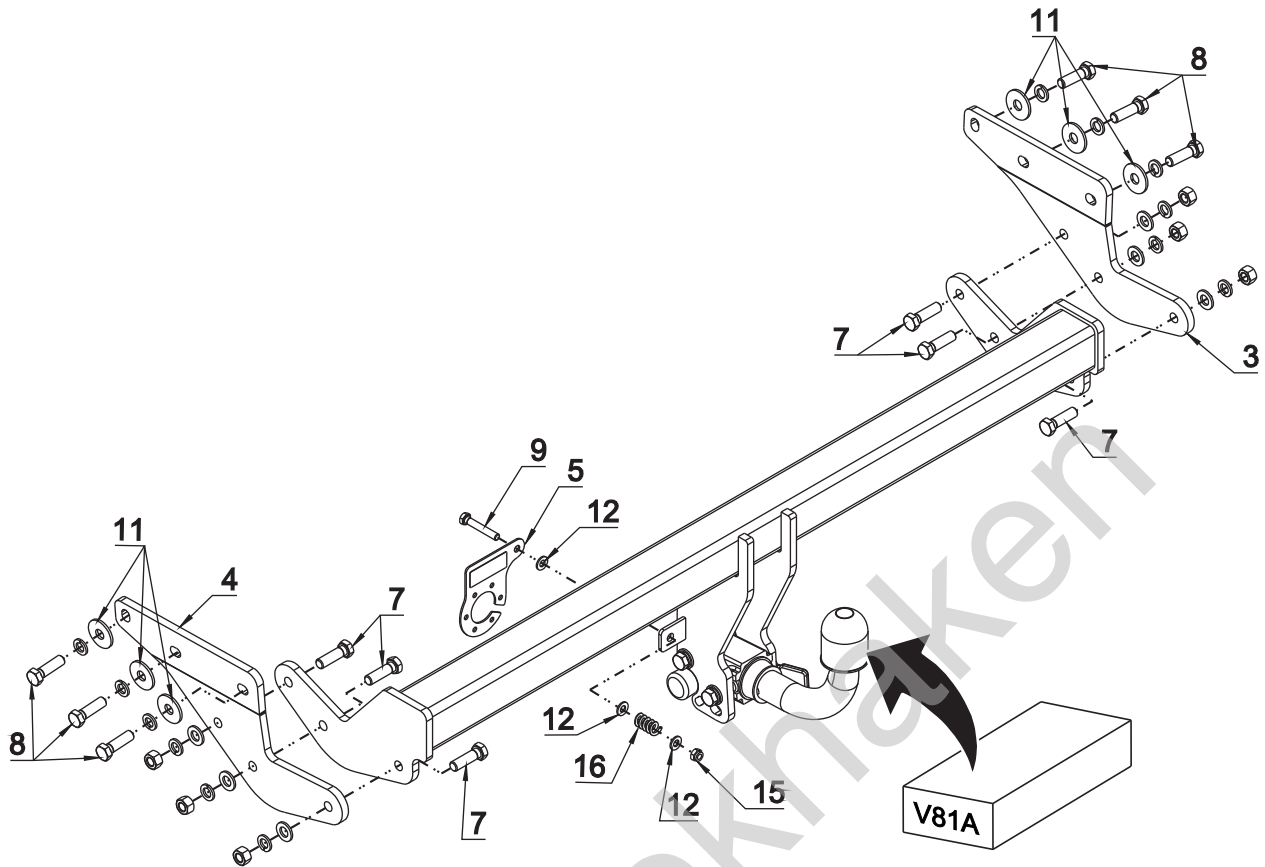


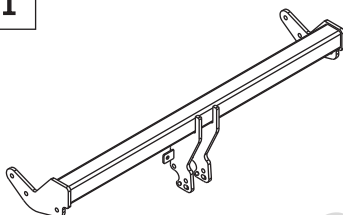

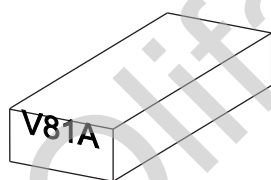



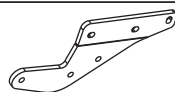
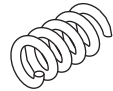
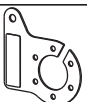

FULL VERSION INSTRUCTION



śruba	Nm	M6	M8	M10	M12	M14	M16
klasa 8.8		9,9	24	48	83	132	200
klasa 10.9		14	34	67	117	185	285

 0 km →  1000 km



	x 1		7	M12x40	x 6
			8	M12x1.25x40	x 6
			9	M8x50	x 1
			10	∅ 13	x 6
			11	∅ 37x∅13x3 13 (DIN 9021)	x 6
			12	∅ 8.4	x 3
 Art.nr-KL1V81A	x 1		13	∅ 12.2	x 12
			14	M12	x 6
	x 1		15	M 8 (DIN985)	x 1
	x 1			16	
 Art.nr-BL1V81A	x 1				
	x 1				

