

PPUH AUTO-HAK Sp.J.

Henryk i Zbigniew Nejman
ul. Słoneczna 16K 76-200 SŁUPSK
POLAND

tel/fax +48 59 8 414 414; +48 59 8 414 413

e-mail: office@autohak.com.pl

www.autohak.com.pl



AUTO-HAK



NISSAN MICRA

Cat. no:

V79A



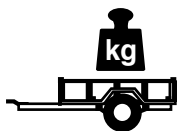
2017 →



E20-55R-01 5315



6,60 kN



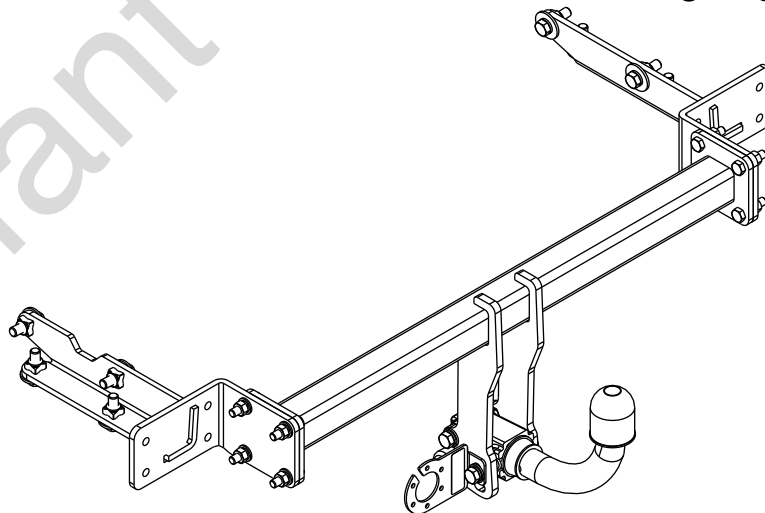
R=1200 kg



S=75 kg



2h



M6 - 8,5 Nm
M10 - 41 Nm
M14 - 112 Nm

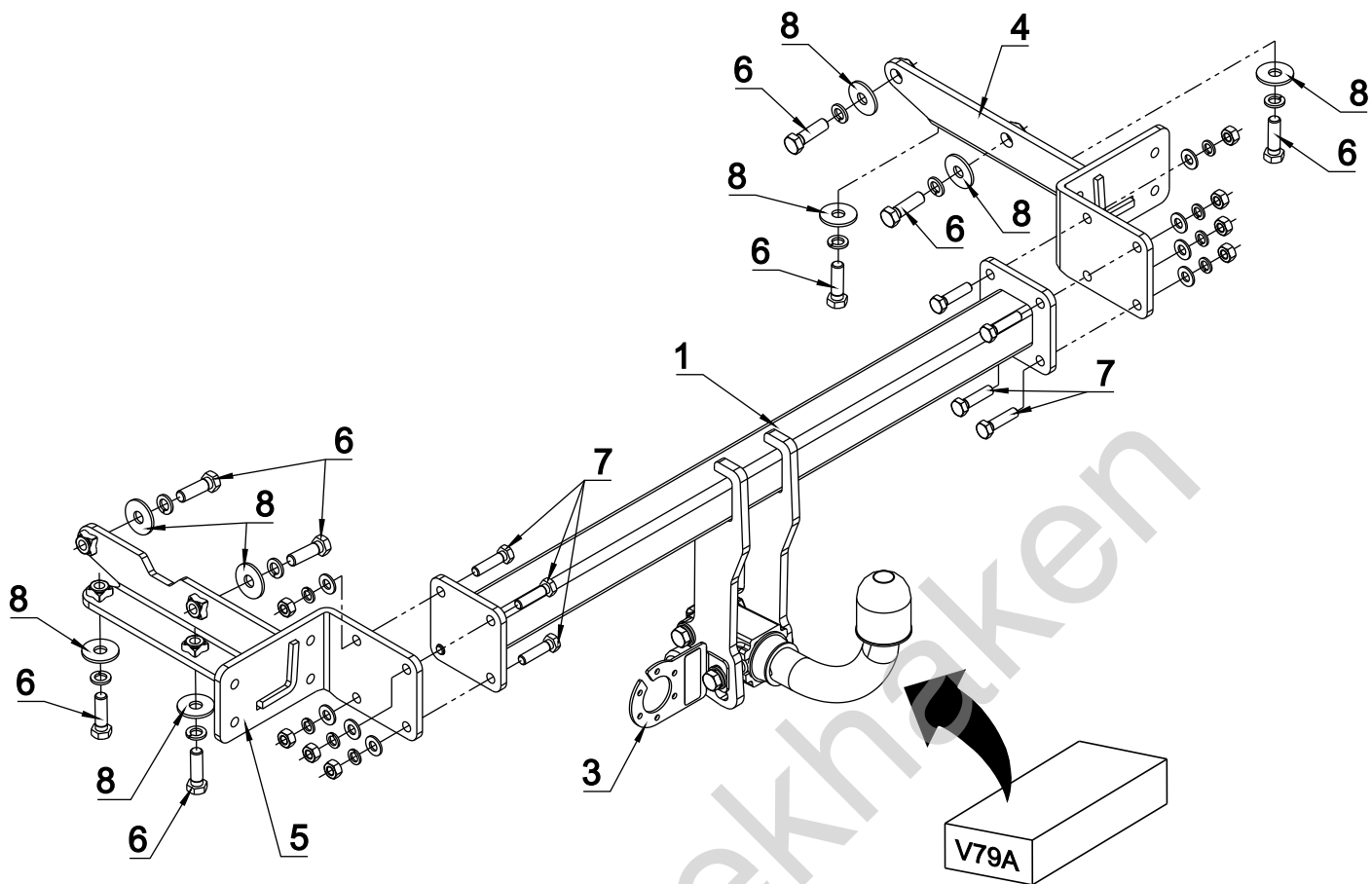
M8 - 20 Nm
M12 - 70 Nm
M16 - 170 Nm

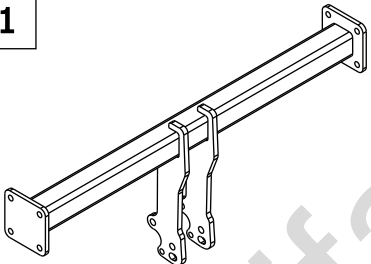

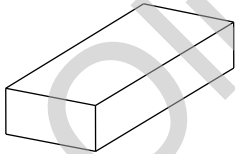
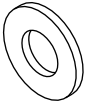


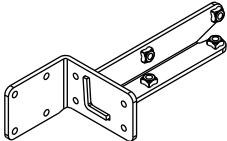
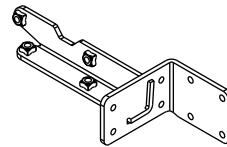


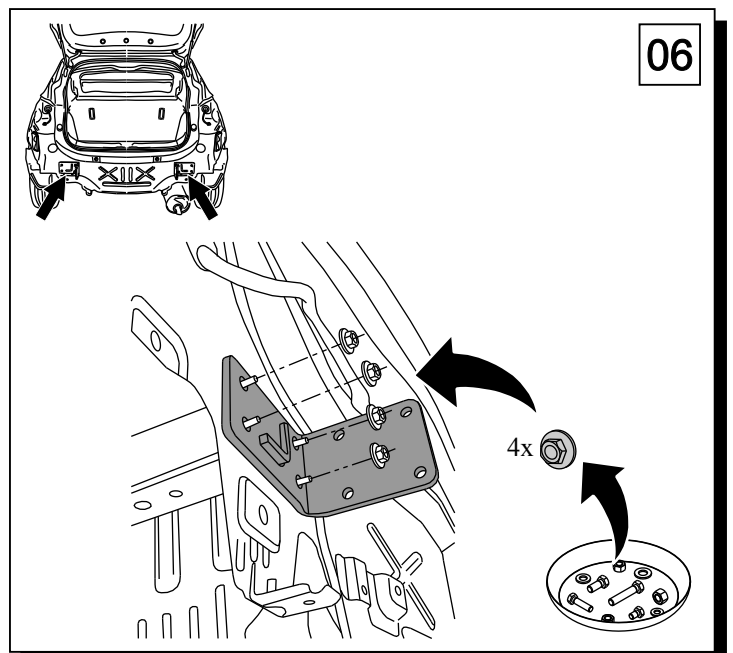
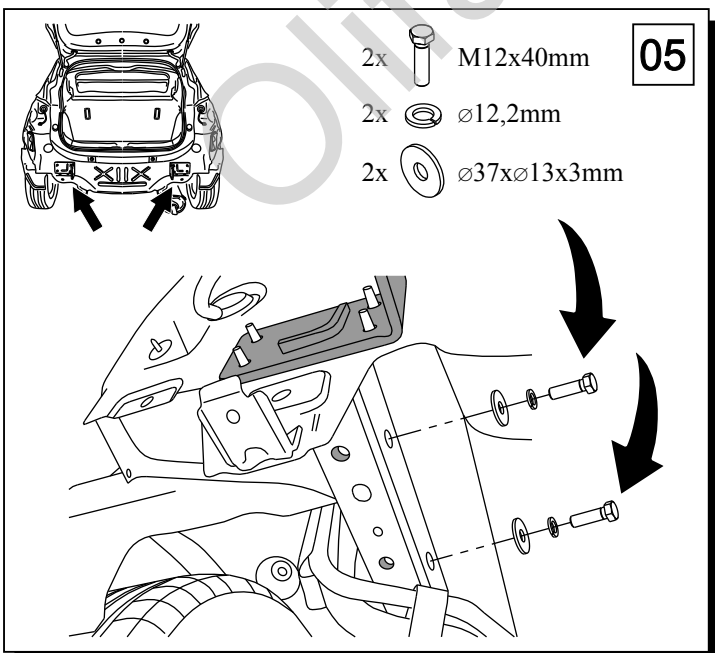
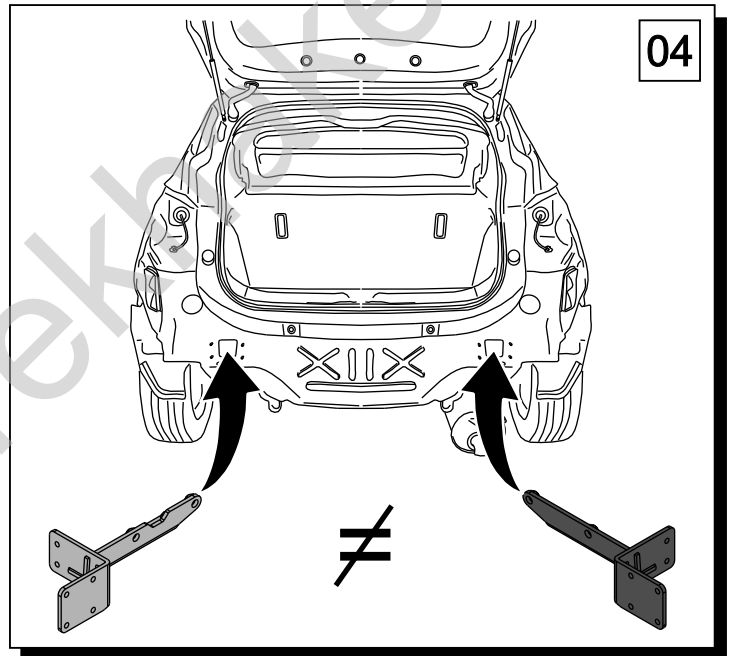
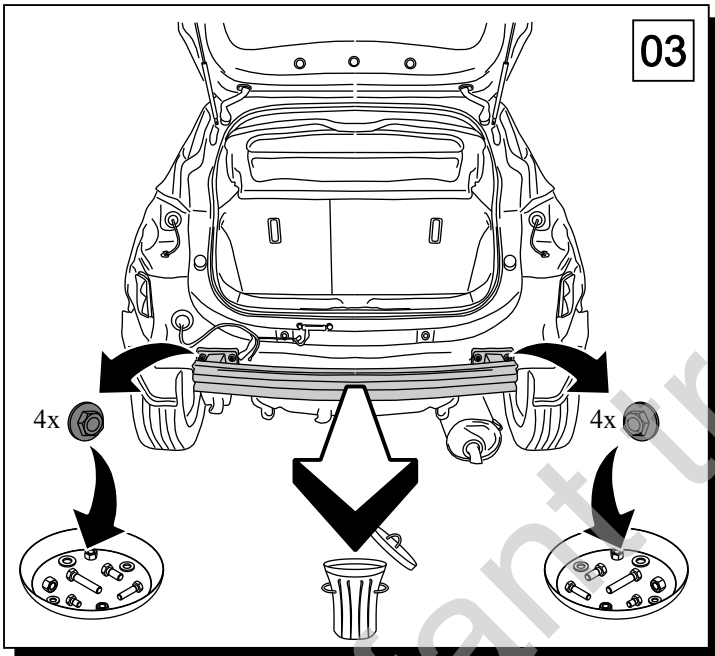
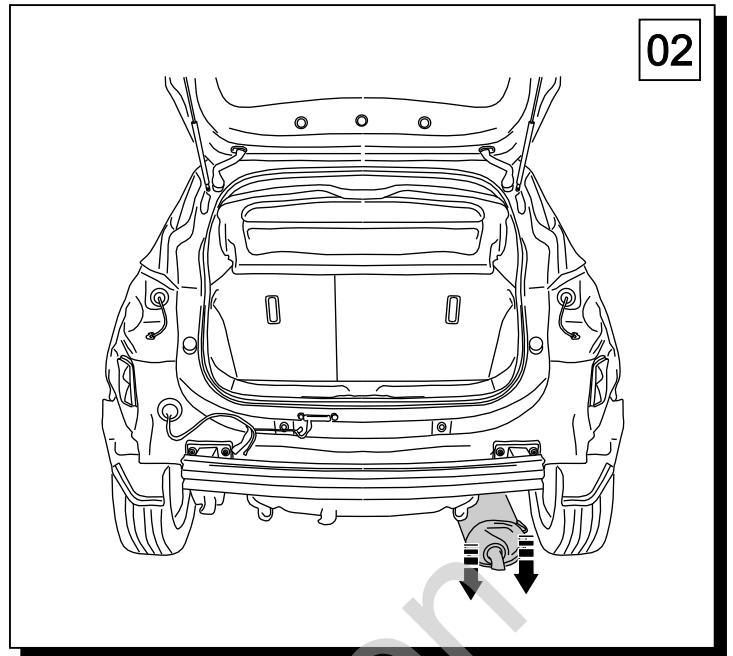
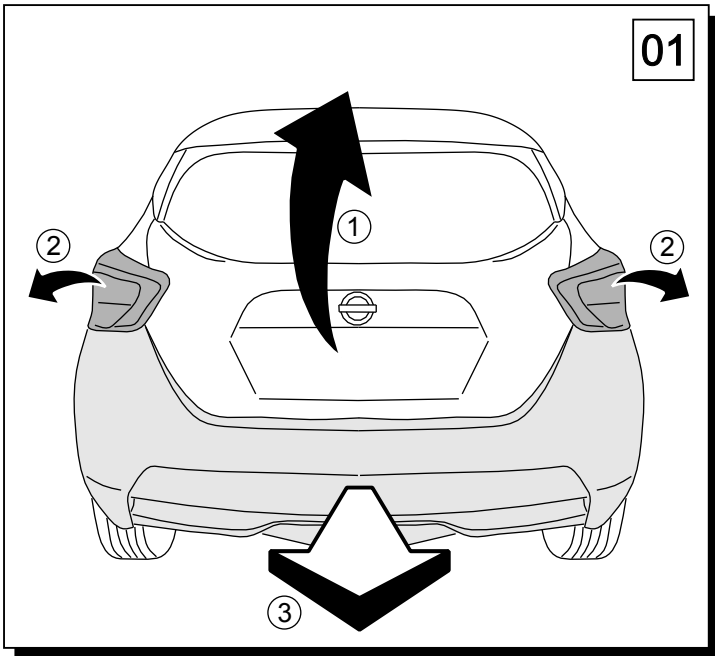
0 km →

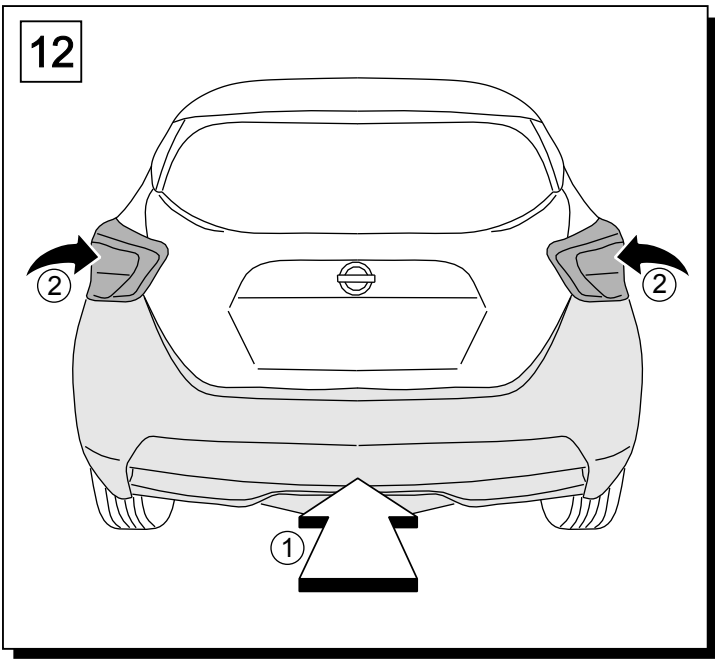
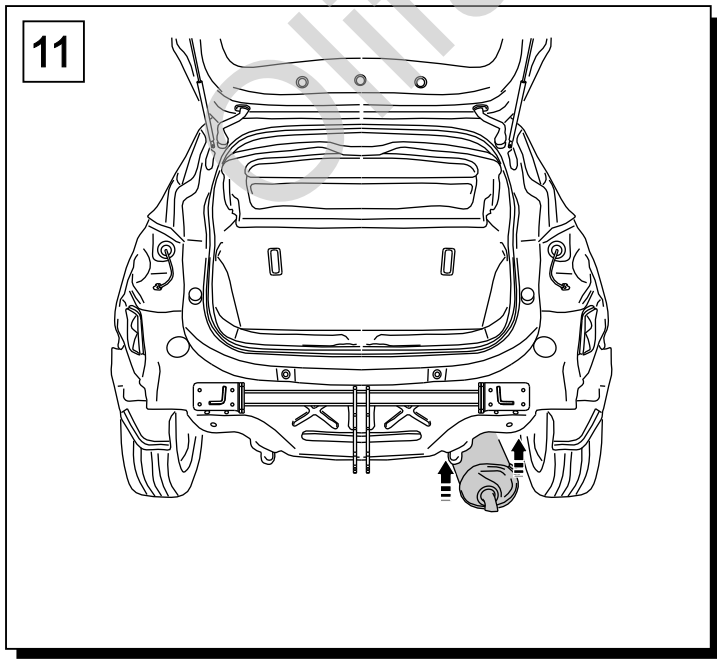
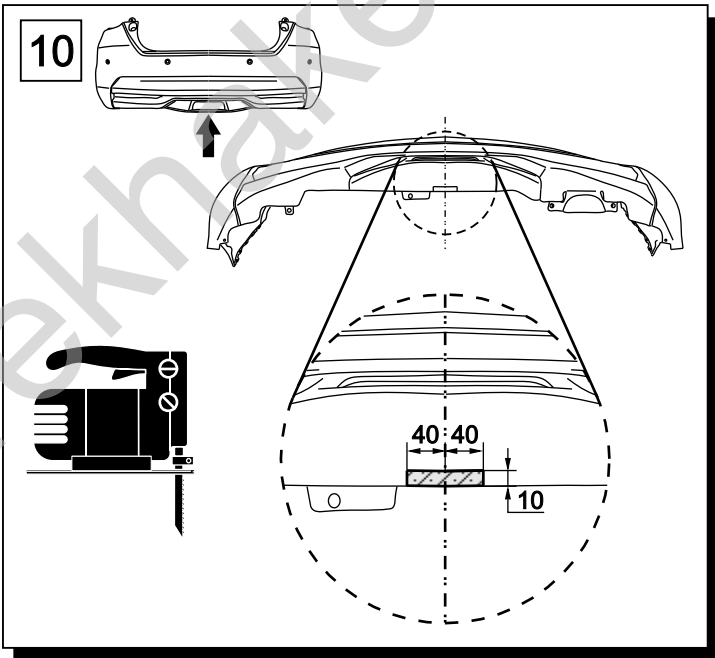
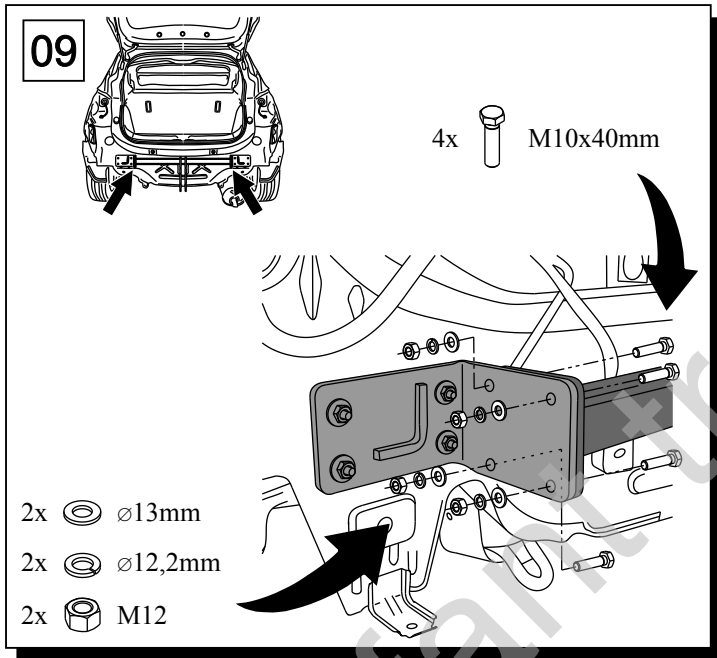
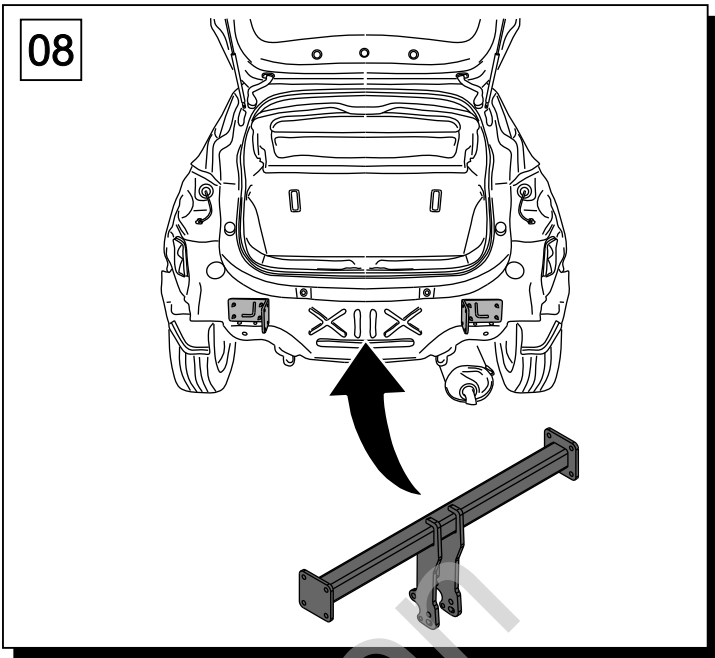
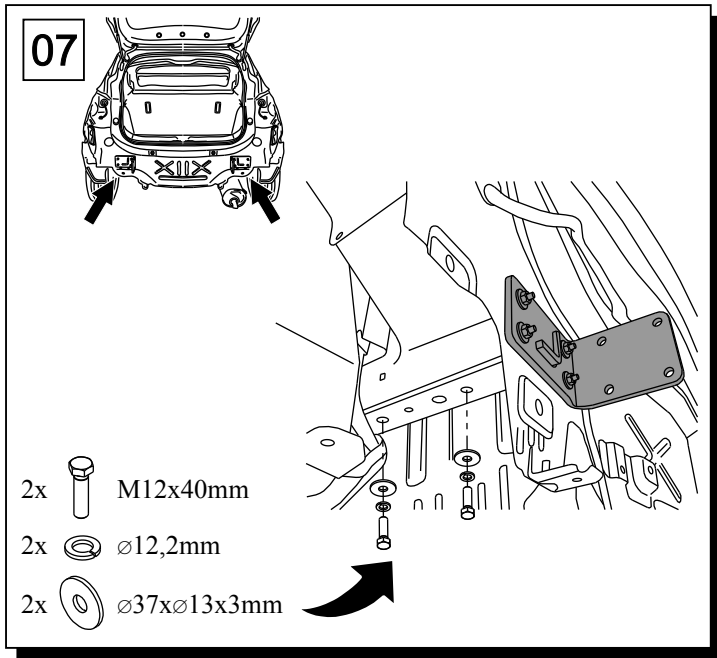


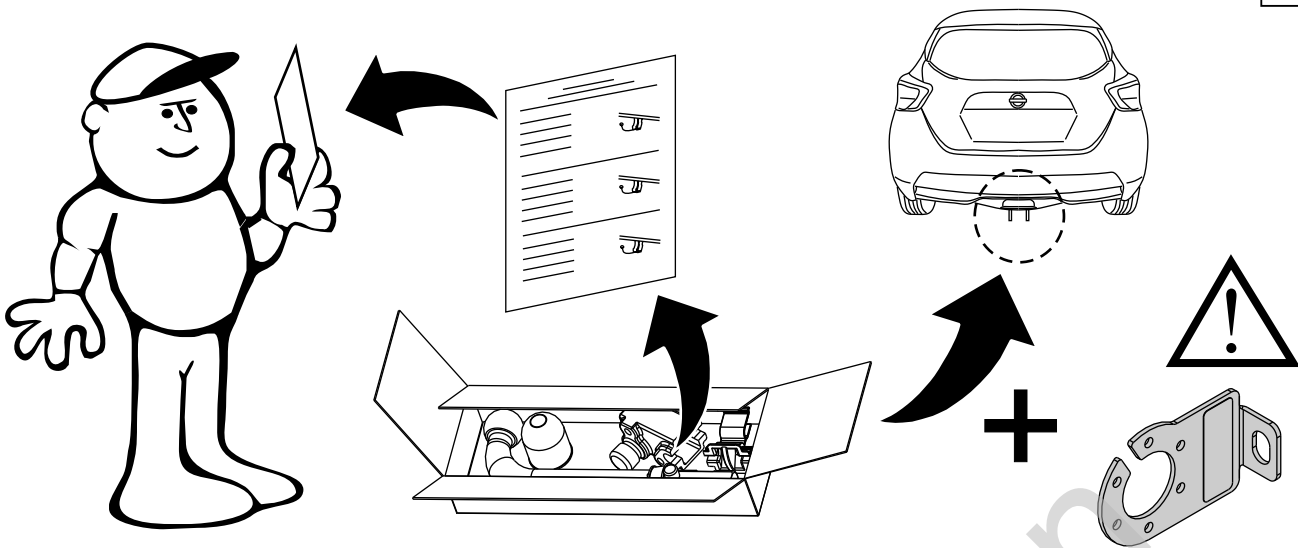
1000 km



1		x1		6	M12x40	x8
				7	M10x40	x8
2		x1		8	∅ 37x∅13x3 12 (DIN 9021)	x8
				9	∅ 10	x8
				10	∅ 12.2	x8
3		x1		11	∅ 10.2	x8
				12	M10	x8
4		x1				
5		x1				







M6	-	11 Nm	M8	-	25 Nm
M10	-	50 Nm	M12	-	87 Nm
M14	-	138 Nm	M16	-	210 Nm

0 km → 1000 km

Olifant trekmaker