

# PPUH AUTO-HAK Sp.J.

Henryk i Zbigniew Nejman  
ul. Słoneczna 16K 76-200 SŁUPSK  
POLAND

tel/fax +48 59 8 414 414; +48 59 8 414 413

e-mail: [office@autohak.com.pl](mailto:office@autohak.com.pl)

[www.autohak.com.pl](http://www.autohak.com.pl)



# AUTO-HAK



**NISSAN**  
**ALMERA TINO VAN**

Cat. no:

**V78A**



**08.2000 → 12.2006**



**E20-55R-01 4928**



**8,80 kN**



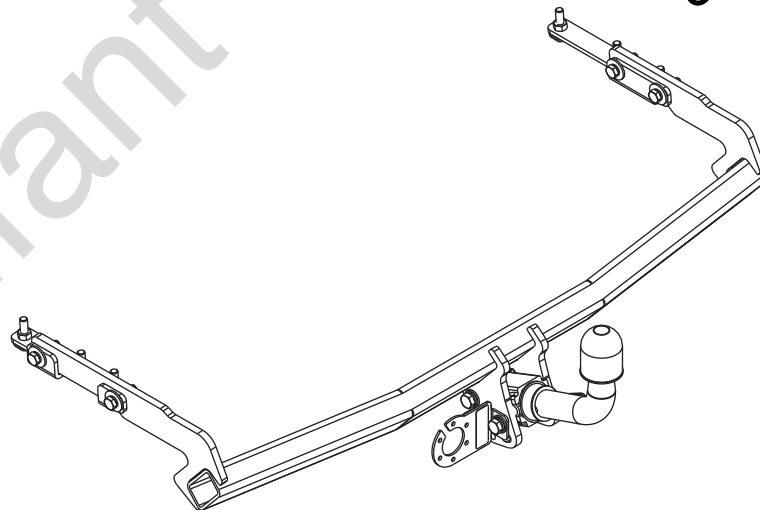
**R=1650 kg**



**S=75 kg**



**2h**



**M6 - 8,5 Nm**  
**M10 - 41 Nm**  
**M14 - 112 Nm**

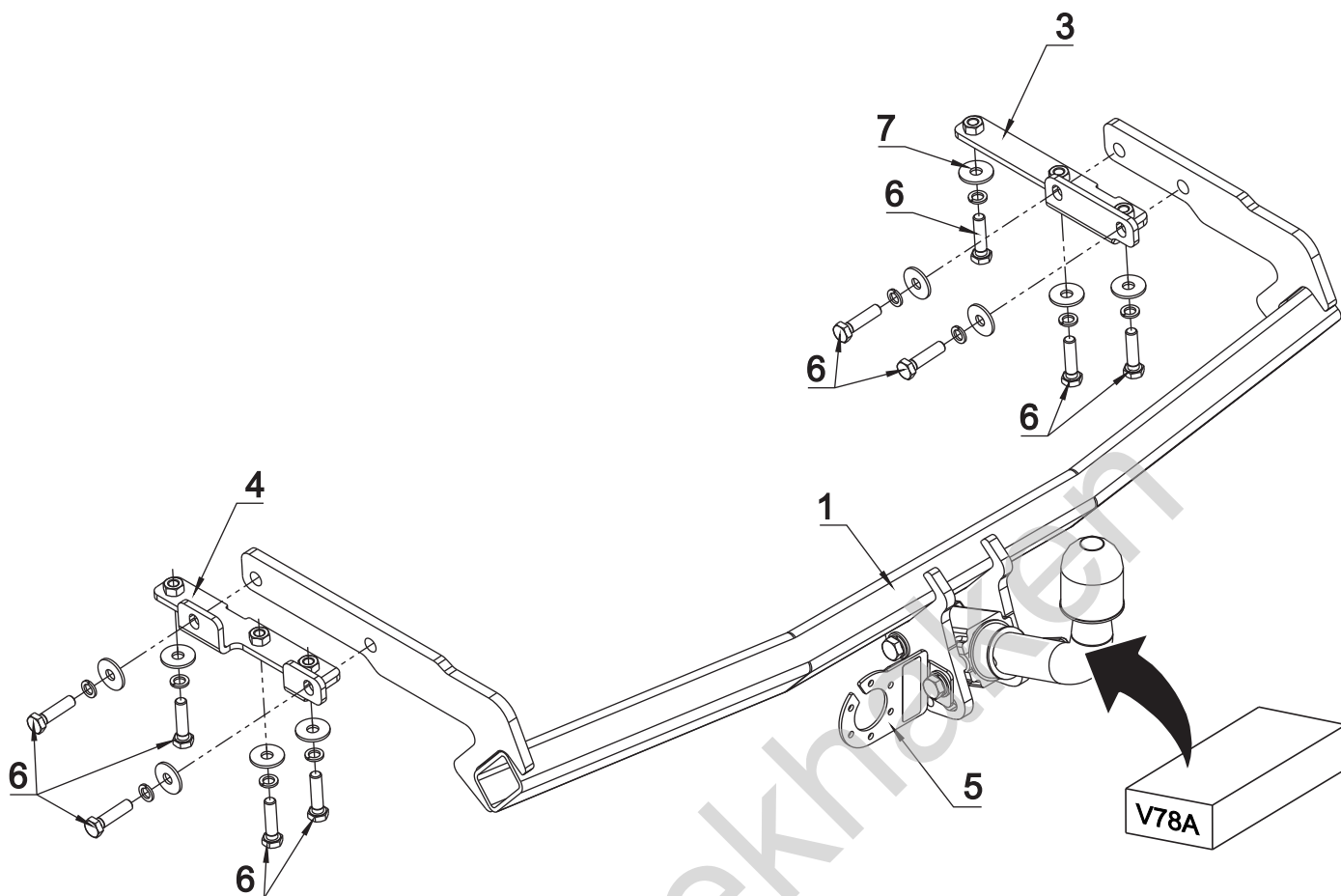
**M8 - 20 Nm**  
**M12 - 70 Nm**  
**M16 - 170 Nm**

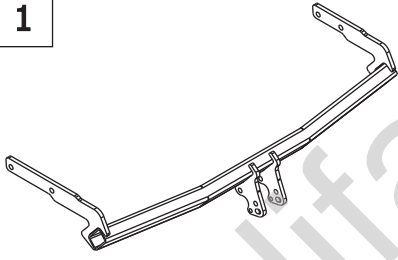

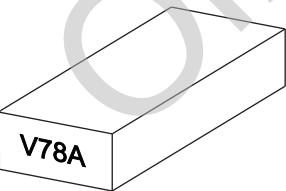

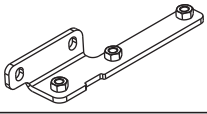

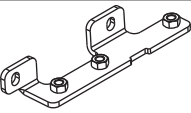
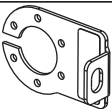


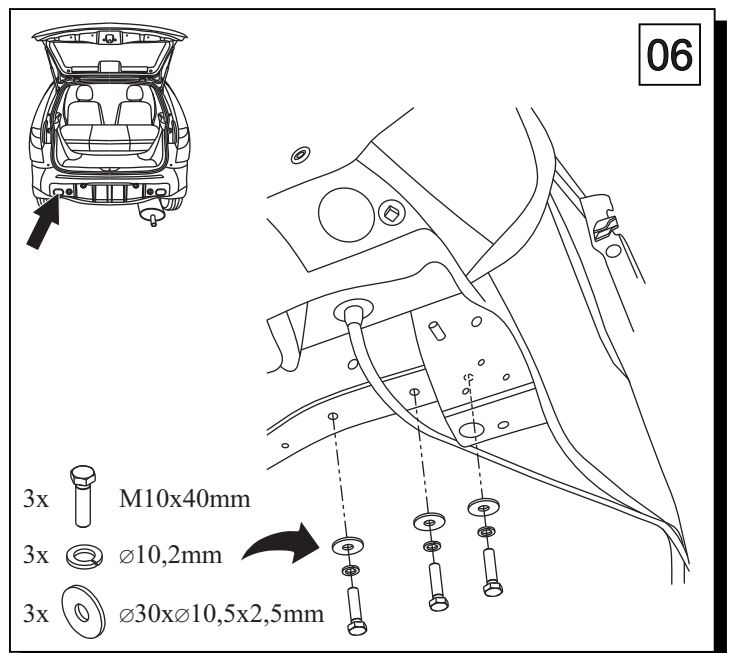
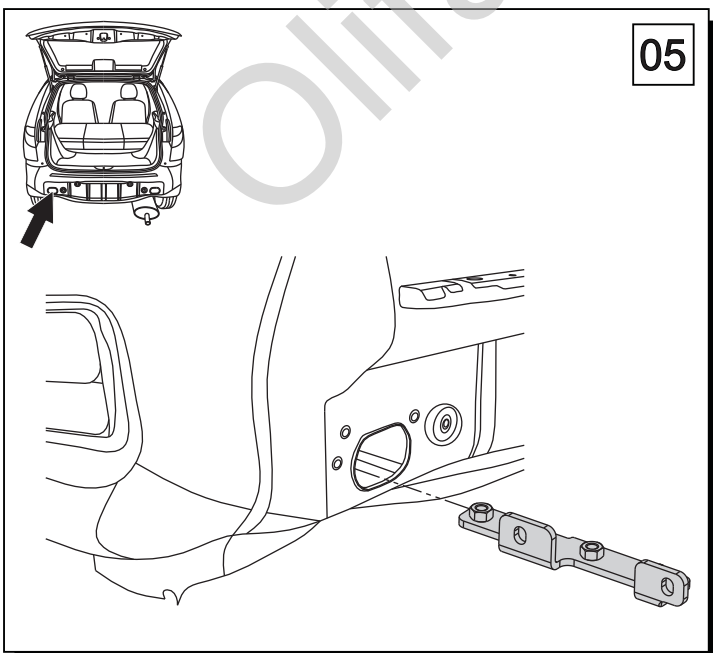
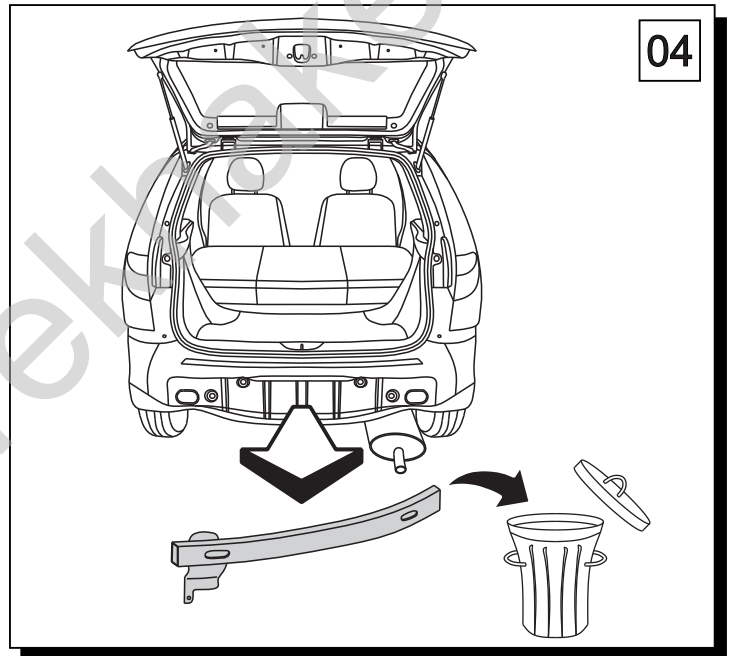
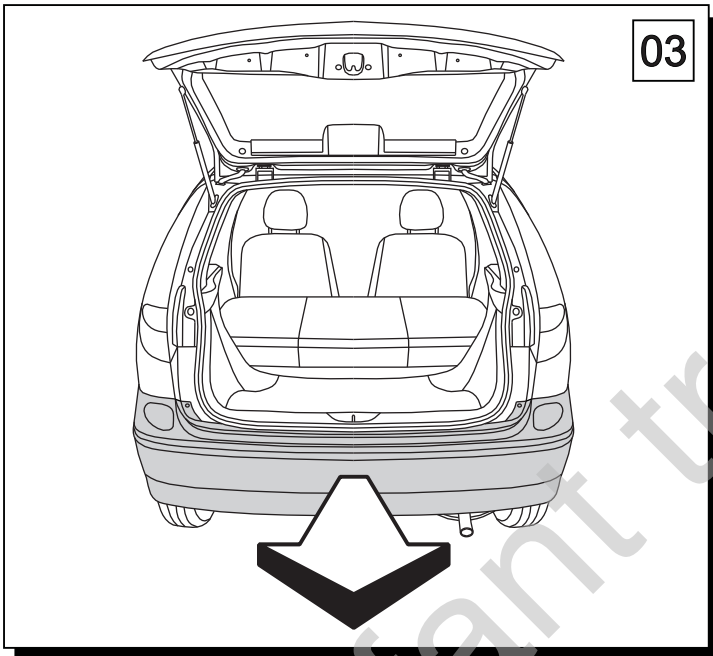
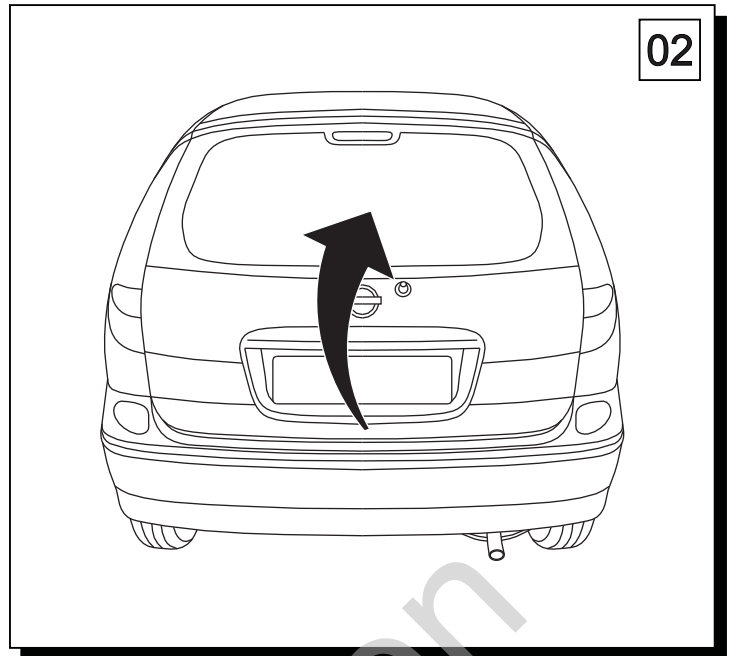
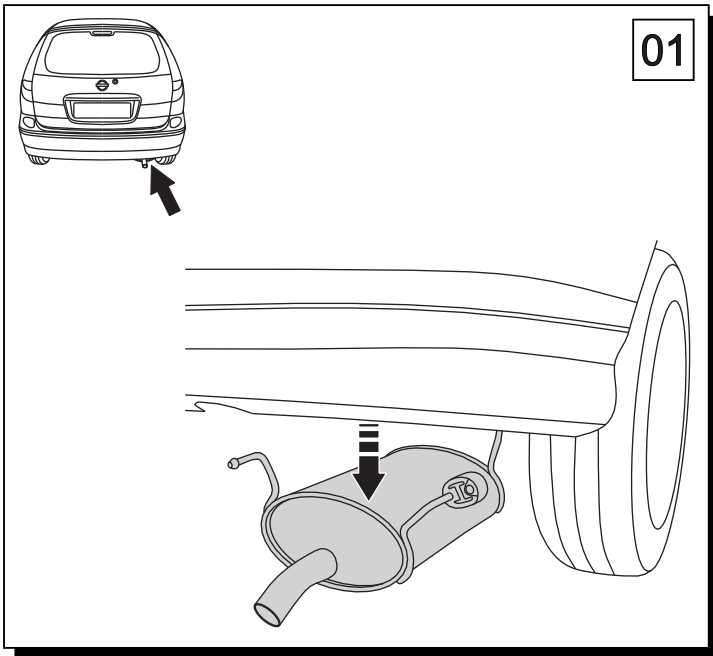
**0 km →**

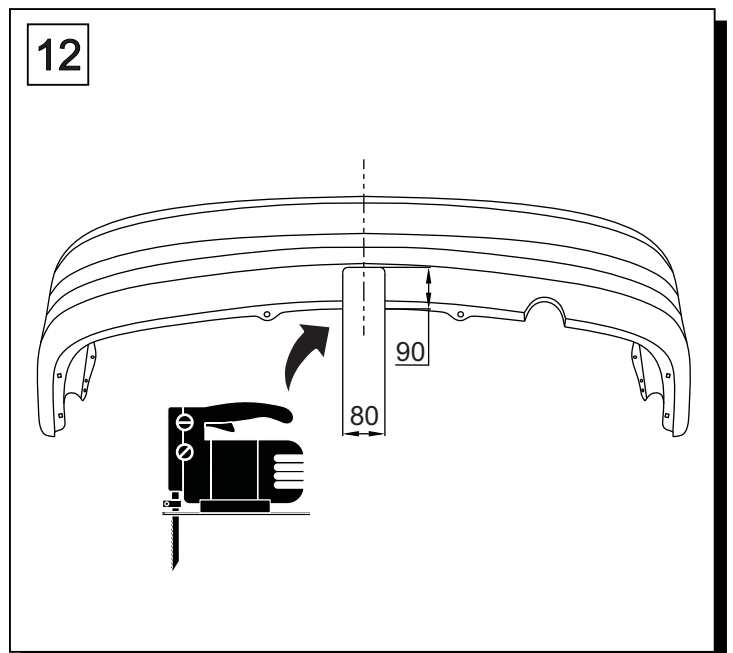
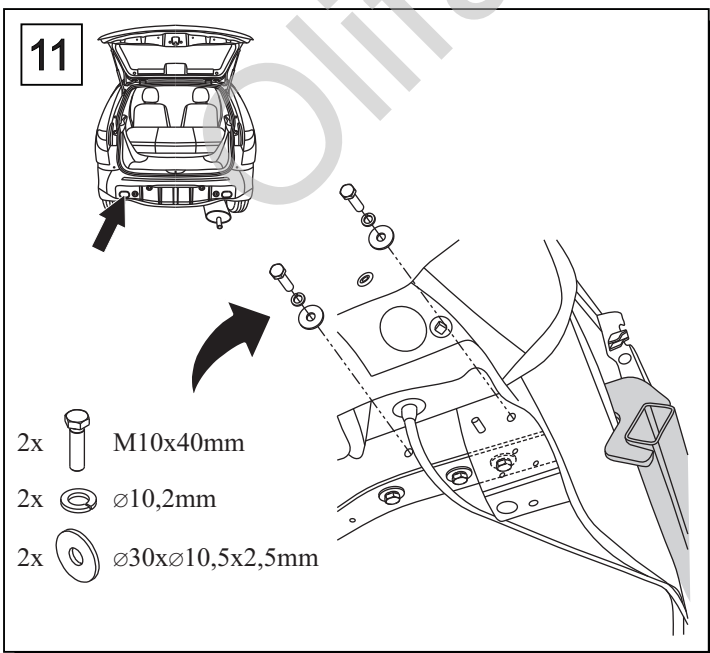
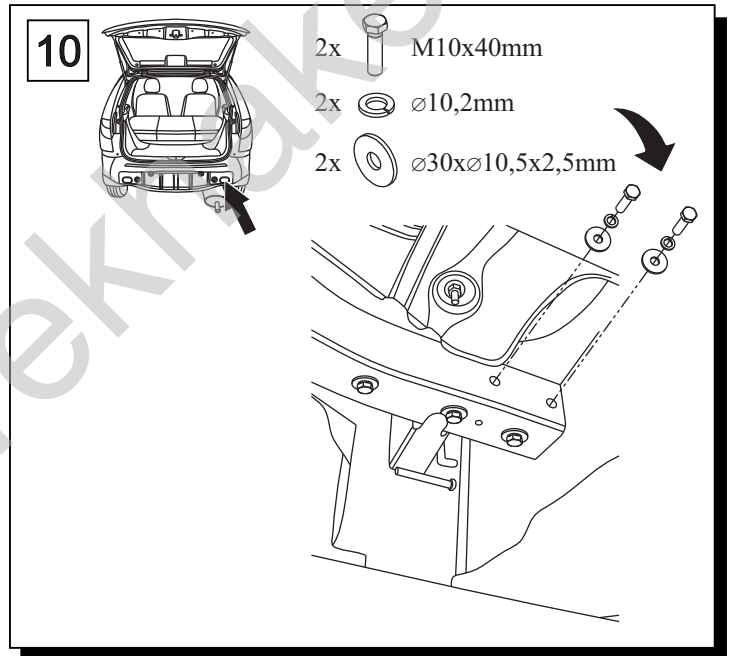
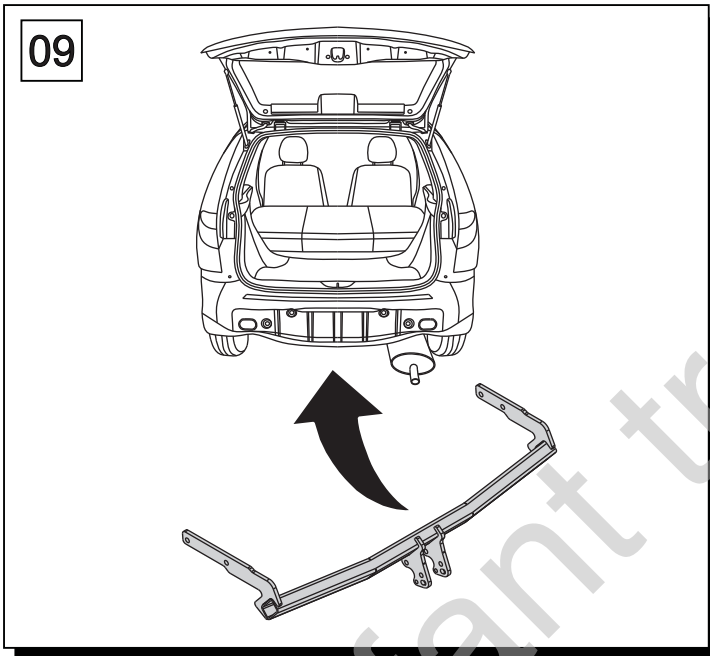
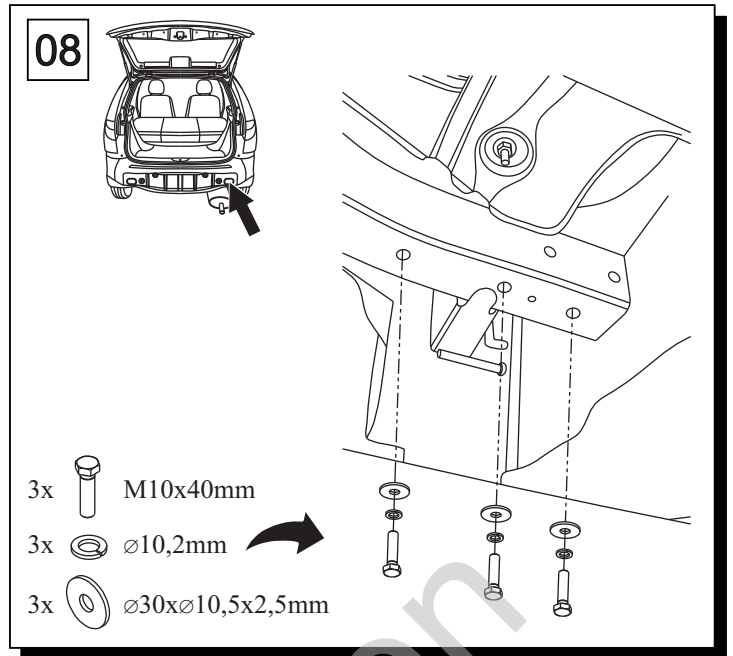
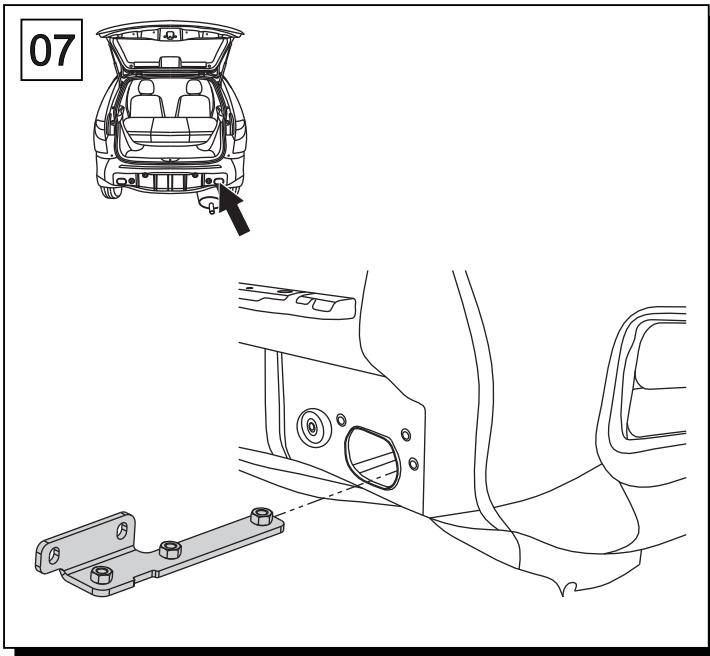


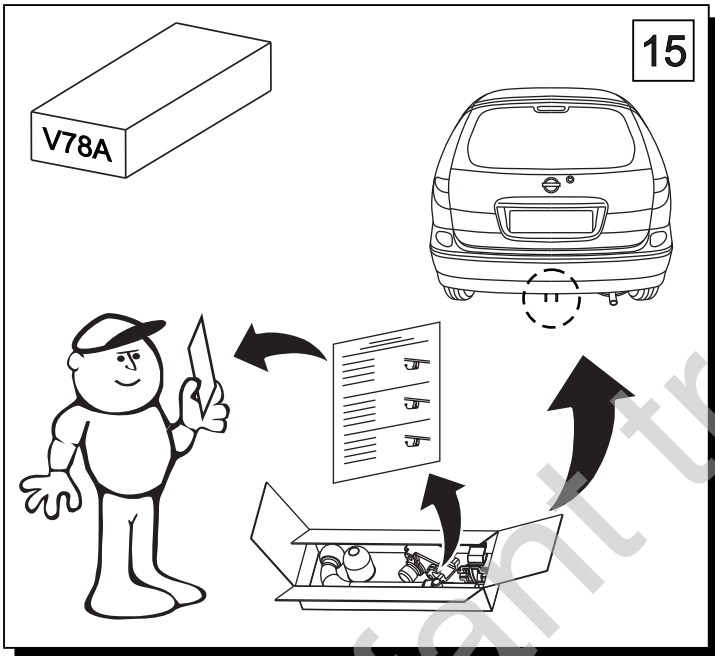
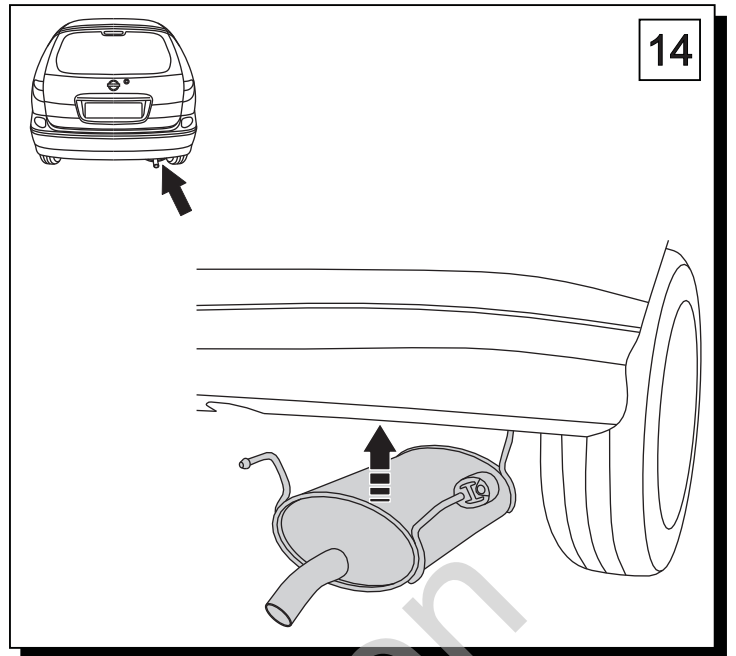
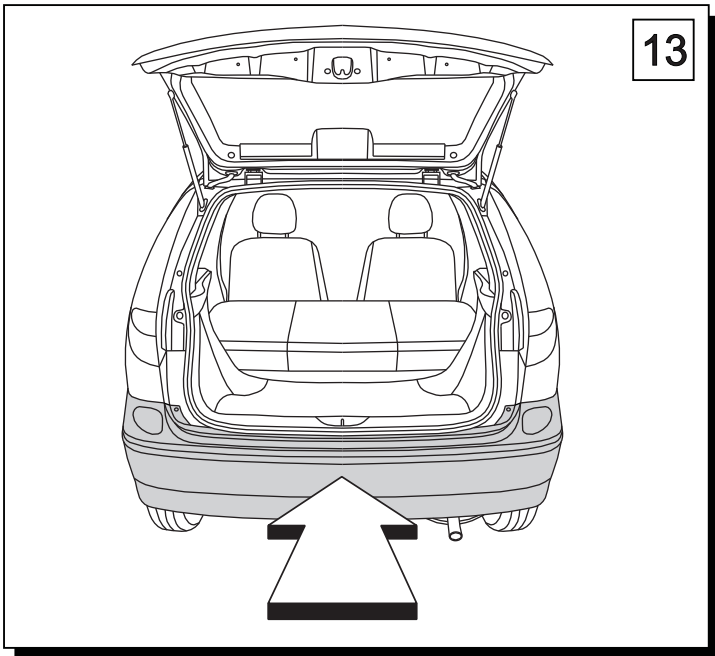
**1000 km**



1		x1		6 M10x40	x 10
2	 <p data-bbox="499 1709 730 1742">Art.nr-KL1V78A</p>	x1		7 $\varnothing$ 30x $\varnothing$ 10.5x2.5 10 DIN 9021	10
3		x1		8 $\varnothing$ 10.2	x10
4		x1			
5		x1			
	<p data-bbox="499 2045 730 2078">Art.nr-BL1V78A</p>				







Olitarru trekhaken