

PPUH AUTO-HAK Sp.J.

Henryk i Zbigniew Nejman
ul. Słoneczna 16K 76-200 SŁUPSK
POLAND

tel/fax +48 59 8 414 414; +48 59 8 414 413

e-mail: office@autohak.com.pl

www.autohak.com.pl



AUTO-HAK



NISSAN NAVARA PICK UP NP300

Cat. no:

V77A



poza wersją ze zderzakiem rurkowym
exclude version with tube bumper



03.2016 →



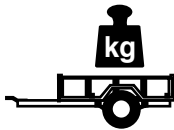
E20-55R-01 5100



2h



15,95 kN

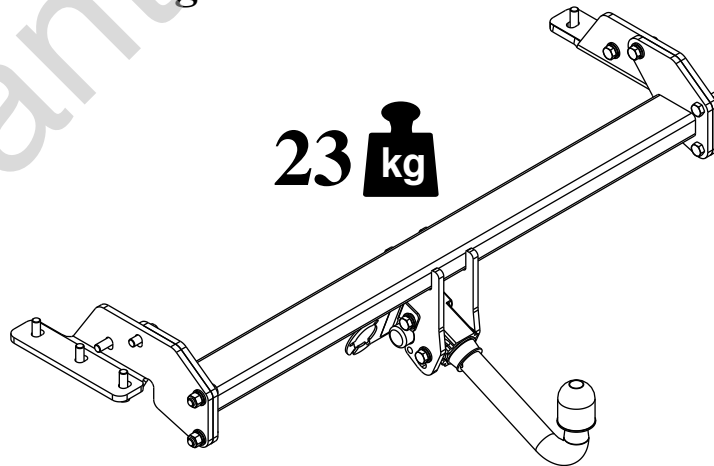


R=3500 kg



S=140 kg

23 kg



M6 - 11 Nm
M10 - 50 Nm
M14 - 138 Nm

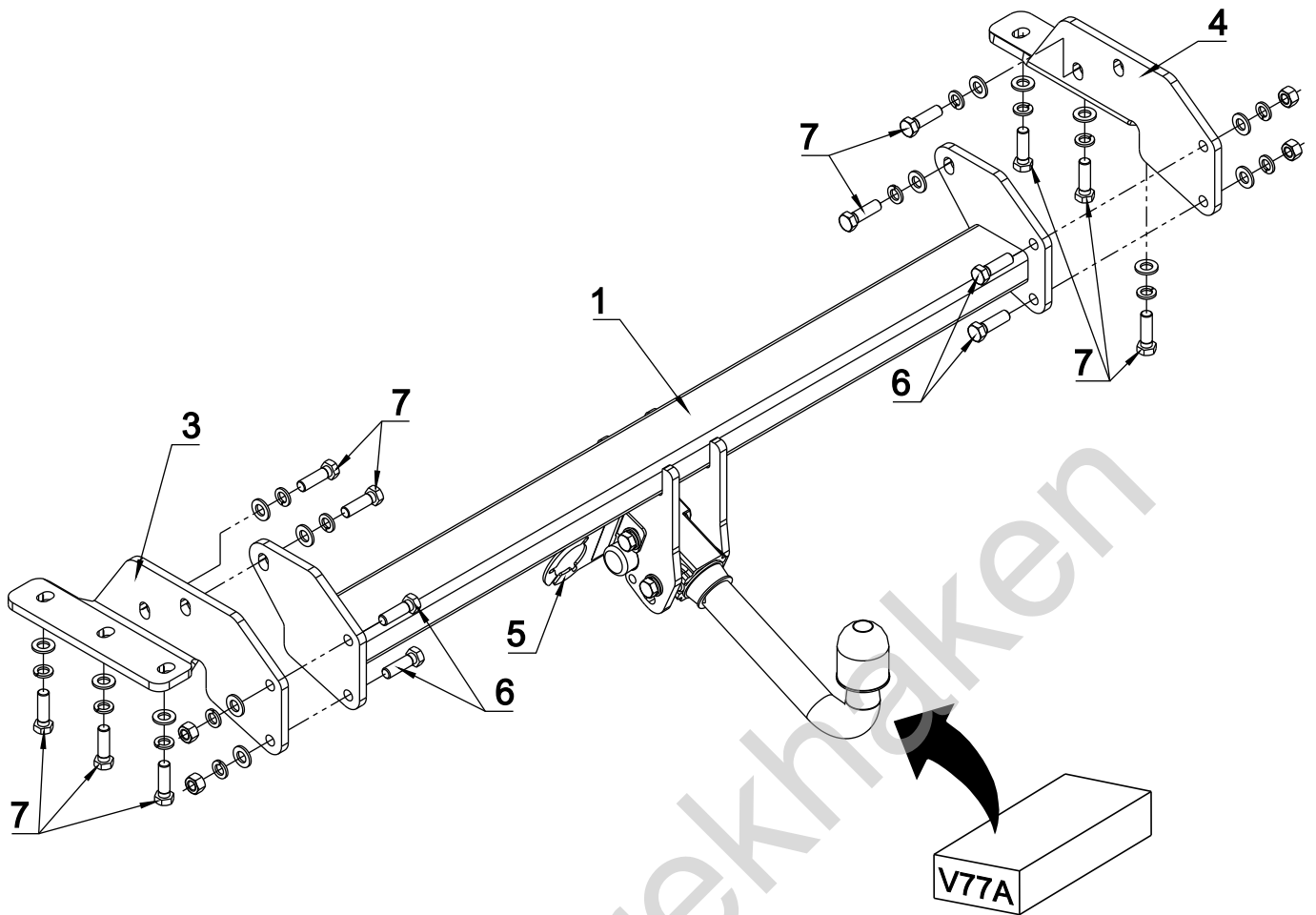
M8 - 25 Nm
M12 - 87 Nm
M16 - 210 Nm

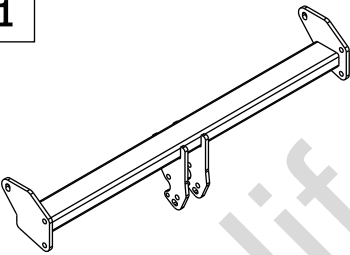

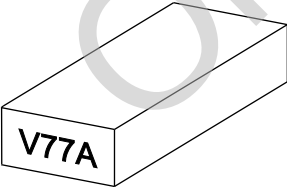
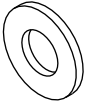
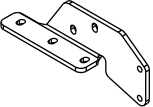

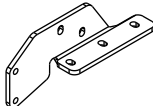
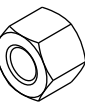
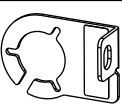



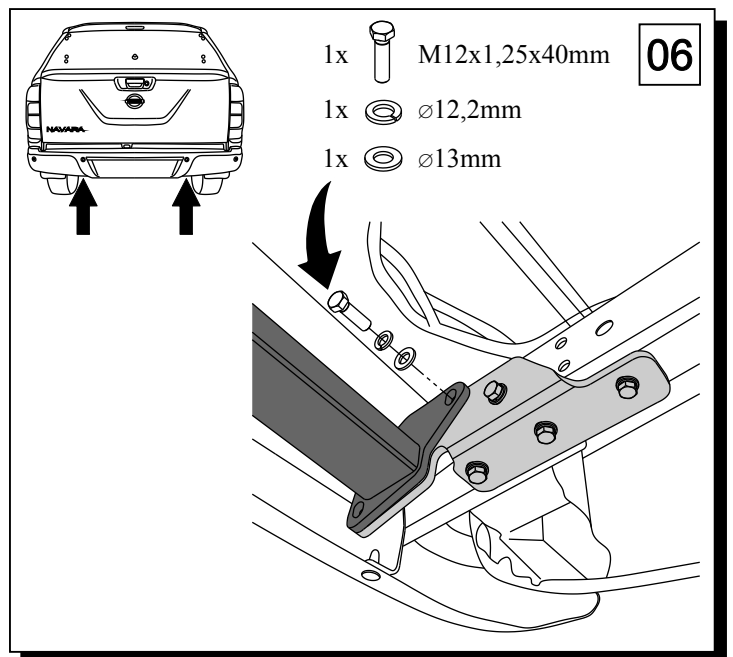
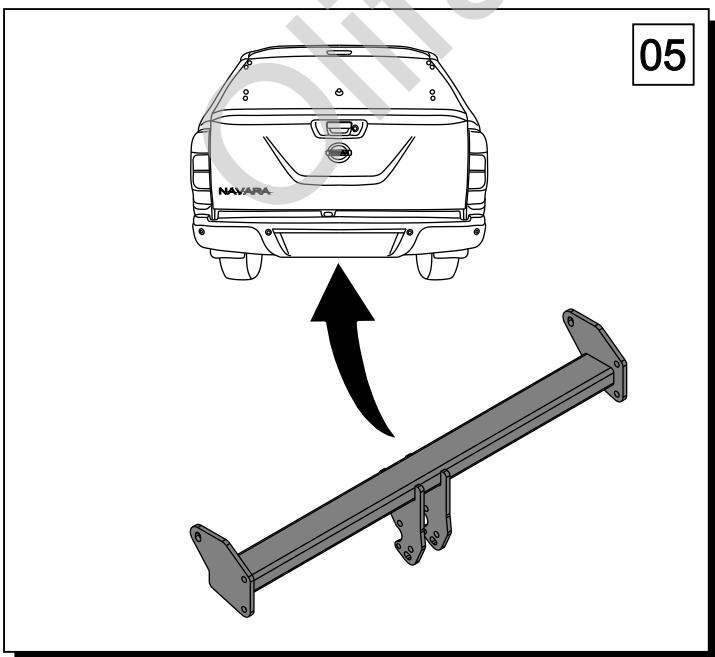
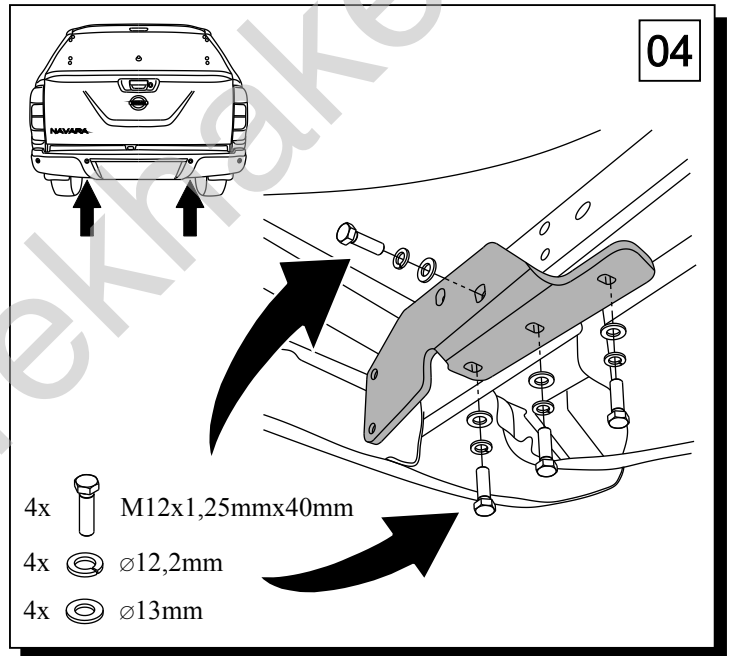
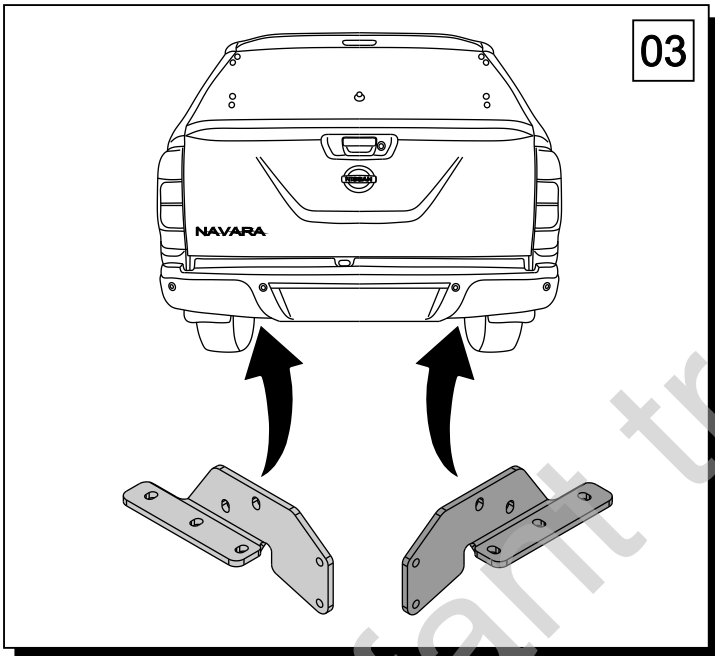
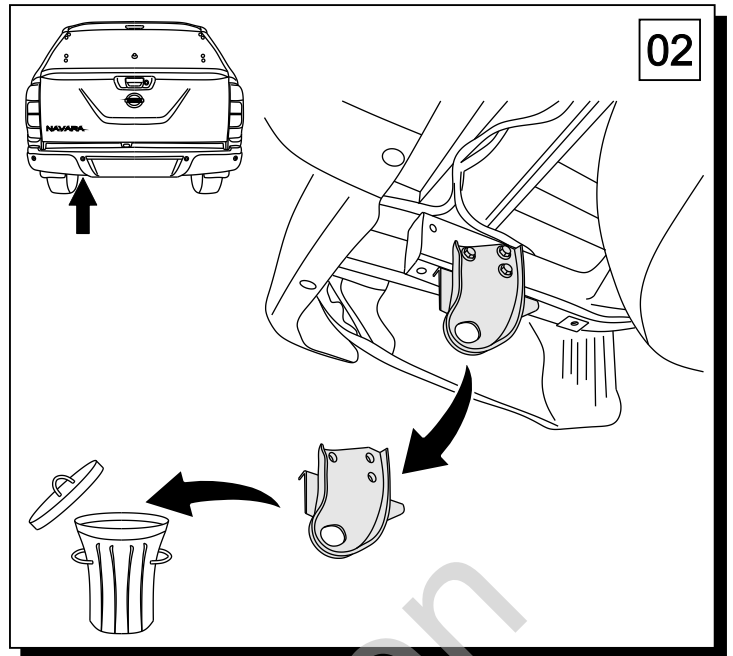
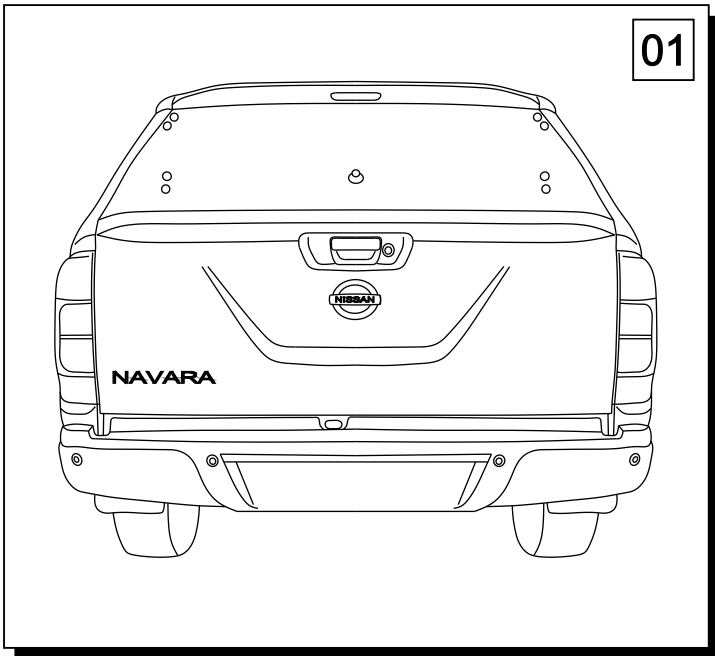
0 km →

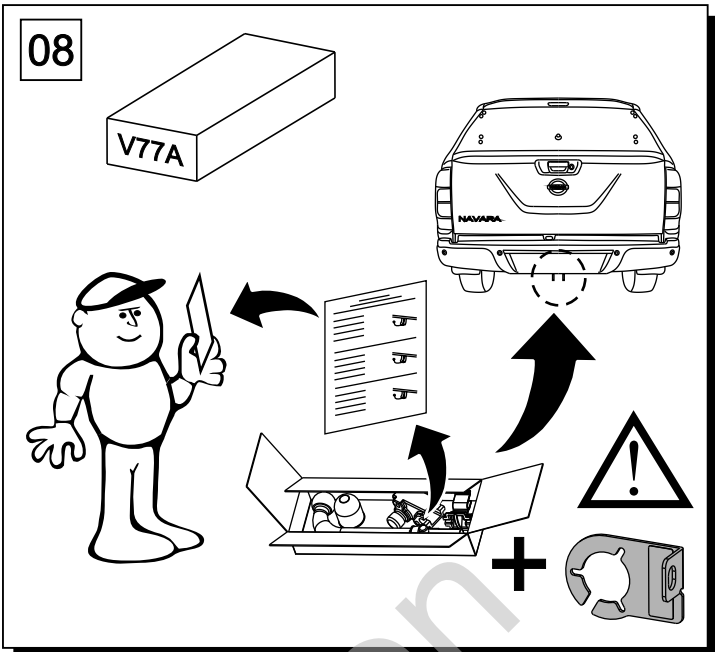
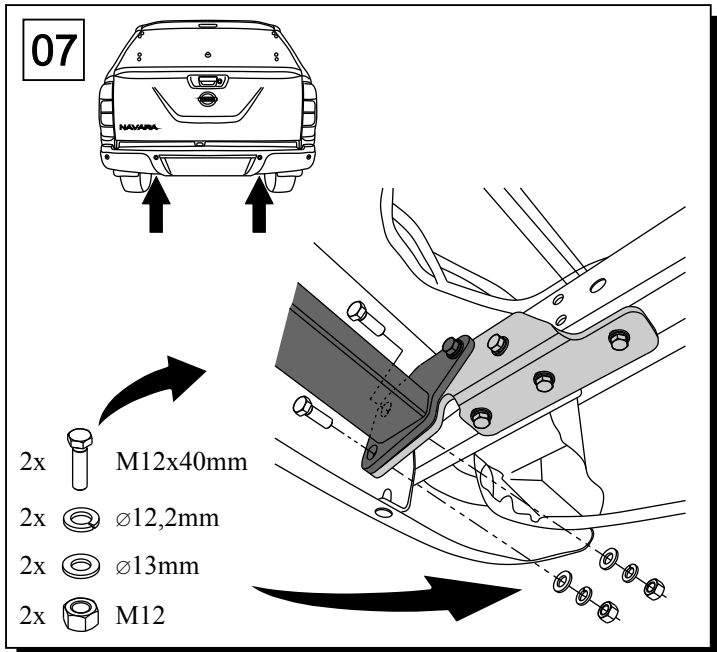



1000 km





| | | | | | |
|---|---|----------------|---|----------------------|-----|
| 1 |  | x1 |  | 6 M12x40 | x4 |
| 2 |  | x1 |  | 7 M12x1.25x40 | x10 |
| 3 |  | x1 |  | 8 \varnothing 13 | x14 |
| 4 |  | x1 |  | 9 \varnothing 12.2 | x14 |
| 5 |  | x1 |  | 10 M12 | x4 |
| | | Art.nr-KL1V77A | | | |
| | | Art.nr-BL1V77A | | | |



| | | | | | |
|------------|---|--------|------------|---|--------|
| M6 | - | 11 Nm | M8 | - | 25 Nm |
| M10 | - | 50 Nm | M12 | - | 87 Nm |
| M14 | - | 138 Nm | M16 | - | 210 Nm |

 **0 km** →  **1000 km**