

PPUH AUTO-HAK Sp.J.

Henryk i Zbigniew Nejman
ul. Słoneczna 16K 76-200 SŁUPSK
POLAND

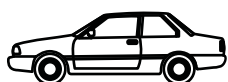
tel/fax +48 59 8 414 414; +48 59 8 414 413

e-mail: office@autohak.com.pl

www.autohak.com.pl



AUTO-HAK



**NISSAN
X-TRAIL (T32)**

Cat. no:

V76A



07.2014 → 05.2017



E20-55R-01 4137



2h



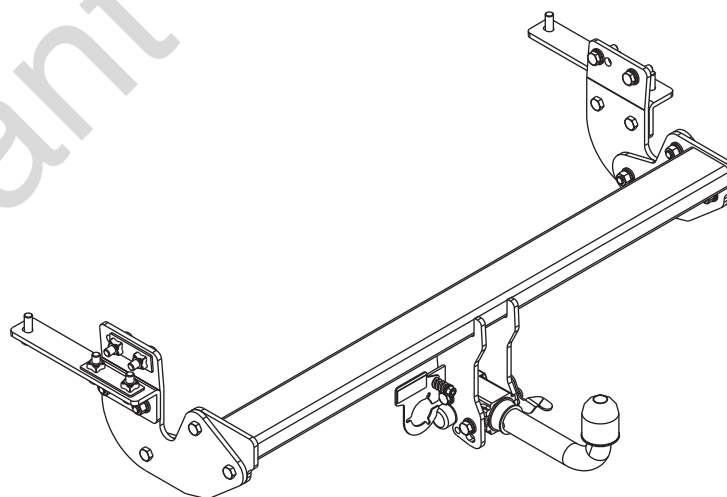
11,10 kN



R=2200 kg



S=110 kg



**M6 - 11 Nm
M10 - 50 Nm
M14 - 138 Nm**

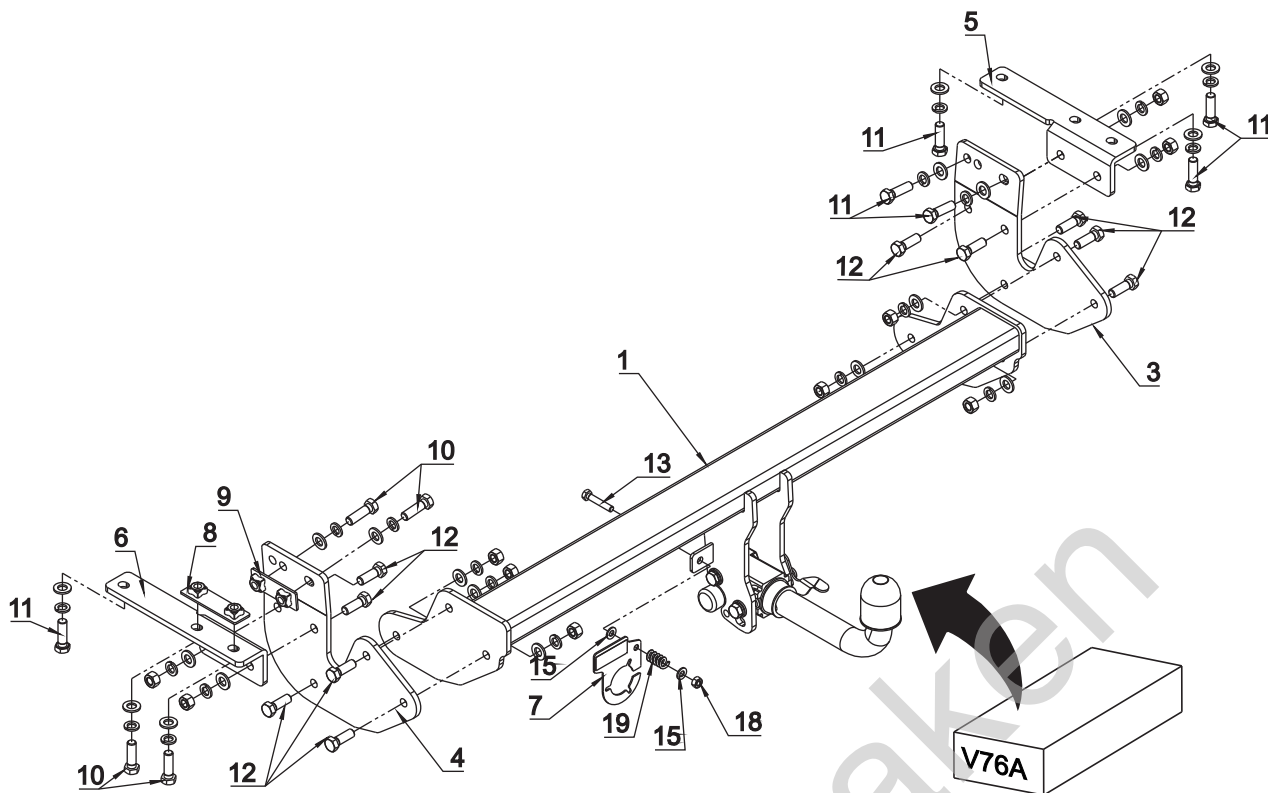
**M8 - 25 Nm
M12 - 87 Nm
M16 - 210 Nm**



0 km →

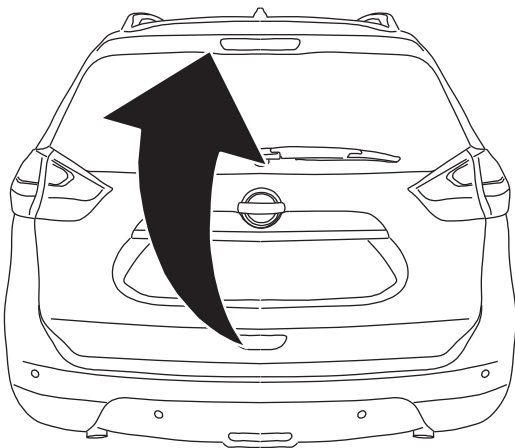


1000 km

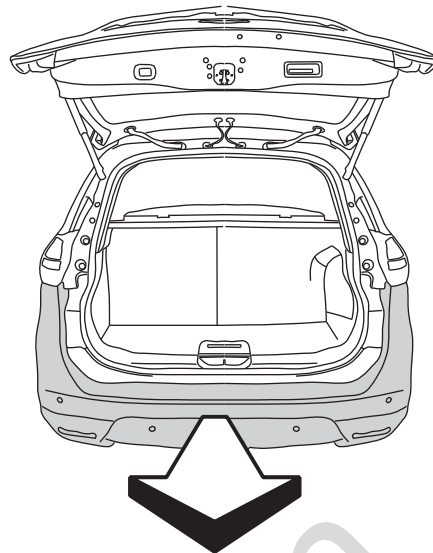


1		x 1		10	M 12x40	x 4
				11	M 12x1.25x40	x 6
				12	M 12x35	x 10
				13	M 8x45	x 1
				14	∅ 13	x 20
2		x 1		15	∅ 8,3	x 2
	Art.nr-Z100 Art.nr-KL1V76A			16	∅ 12.2	x 20
3		x 1		17	M 12	x 10
				18	M 8	x 1
				19		x 1
4		x 1				
5		x 1				
6		x 1				
7		x 1				
	Art.nr-BL1V76A					
8		x 1				
	L=105mm					
9		x 1				
	L=85mm					

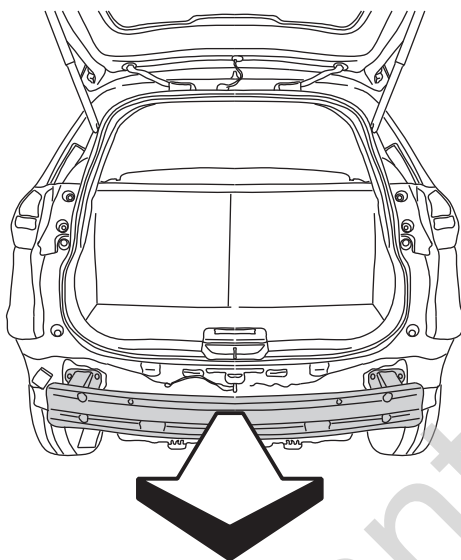
01



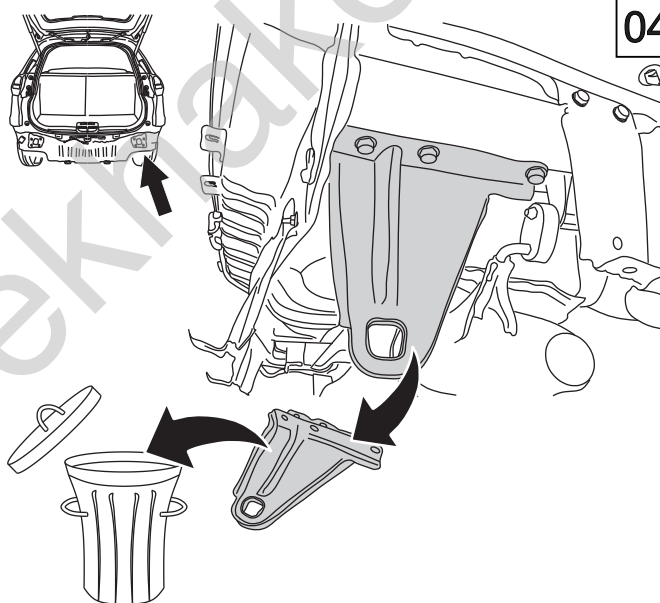
02



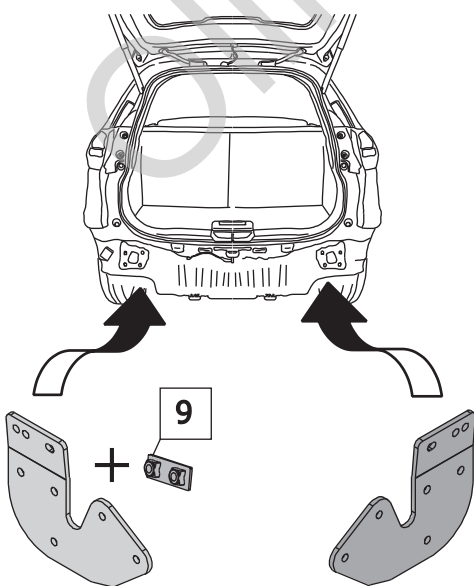
03



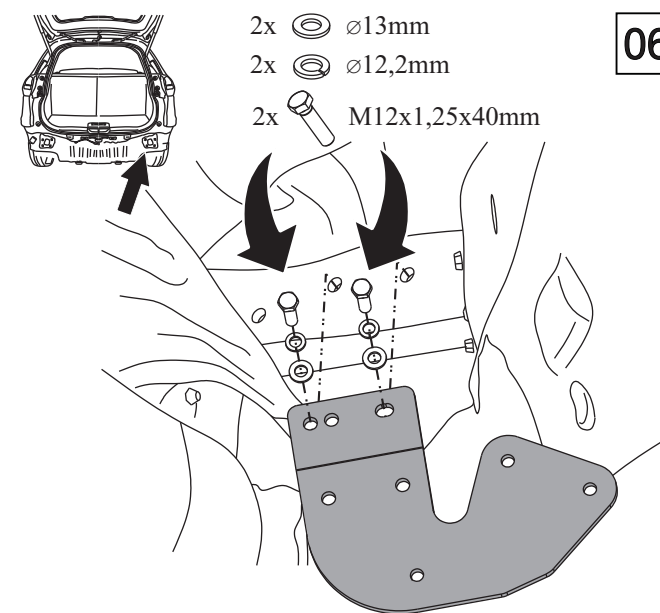
04

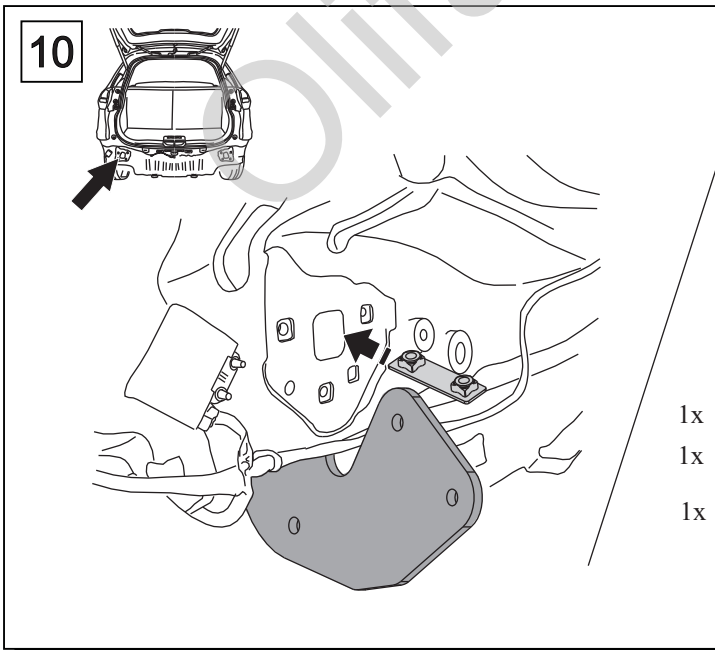
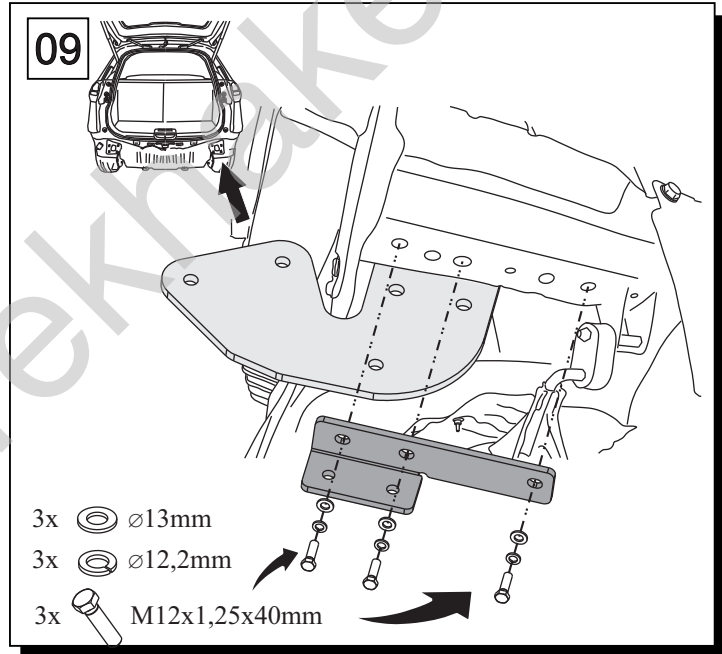
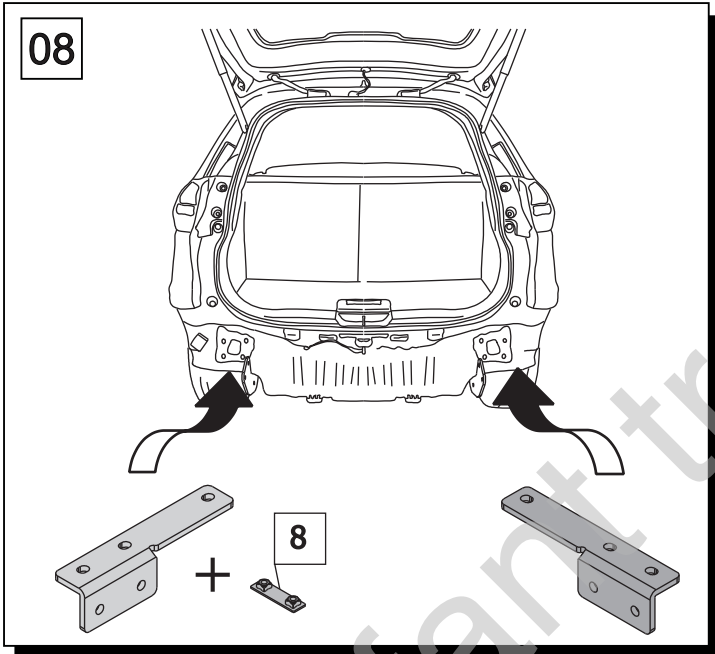
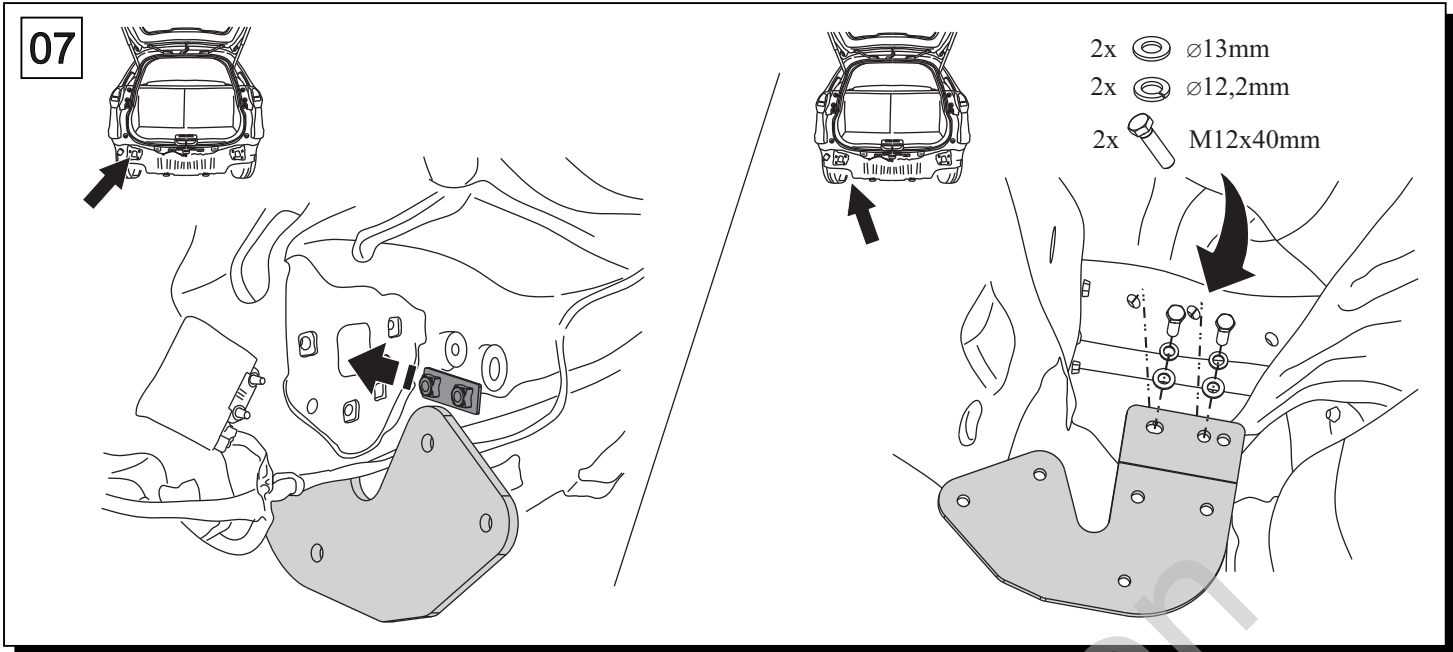


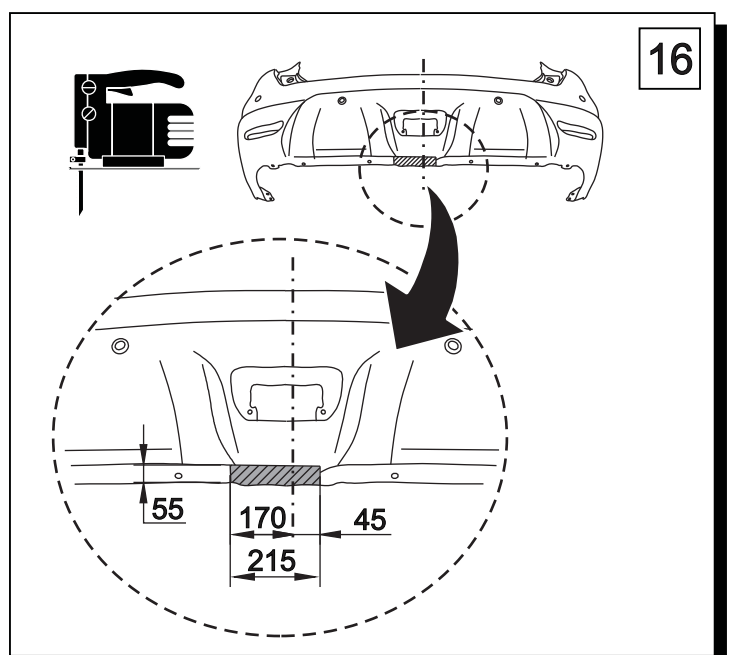
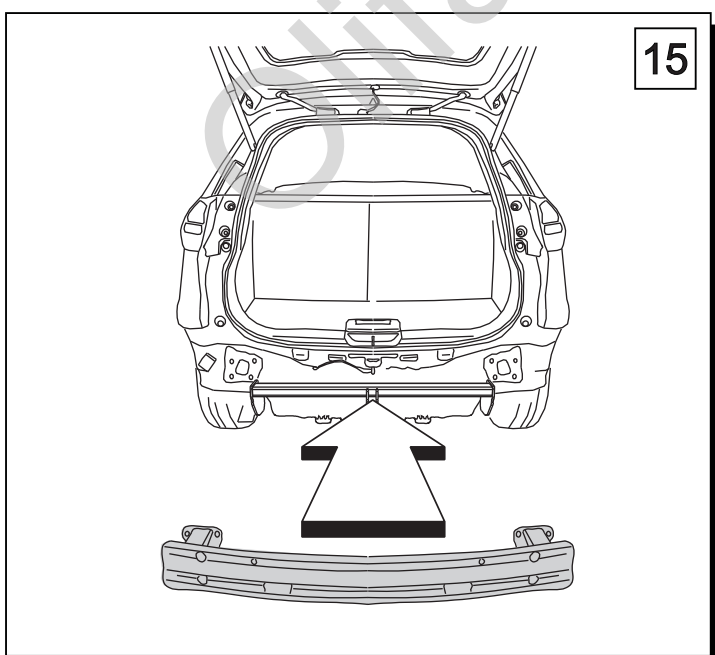
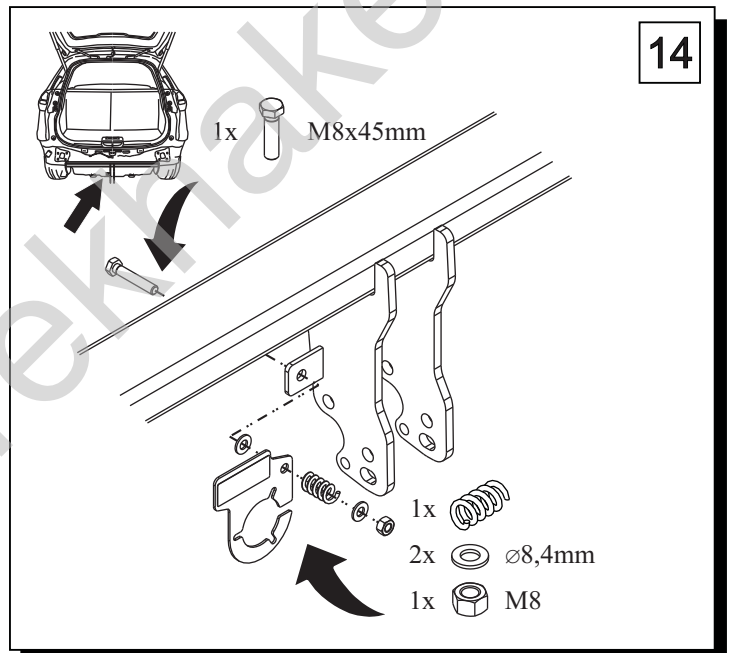
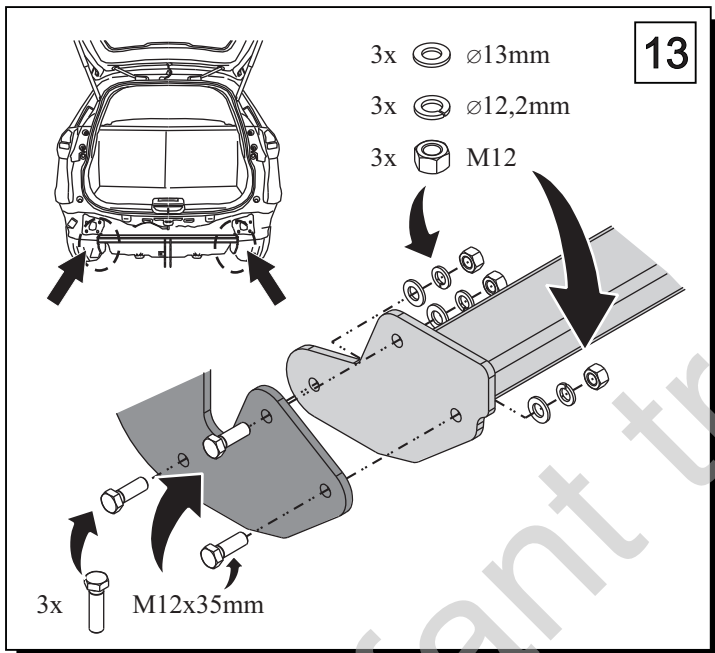
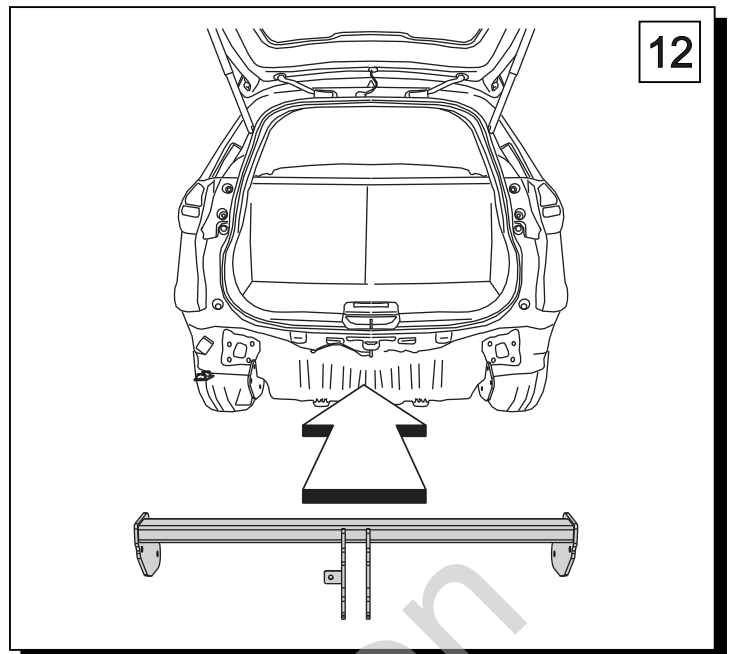
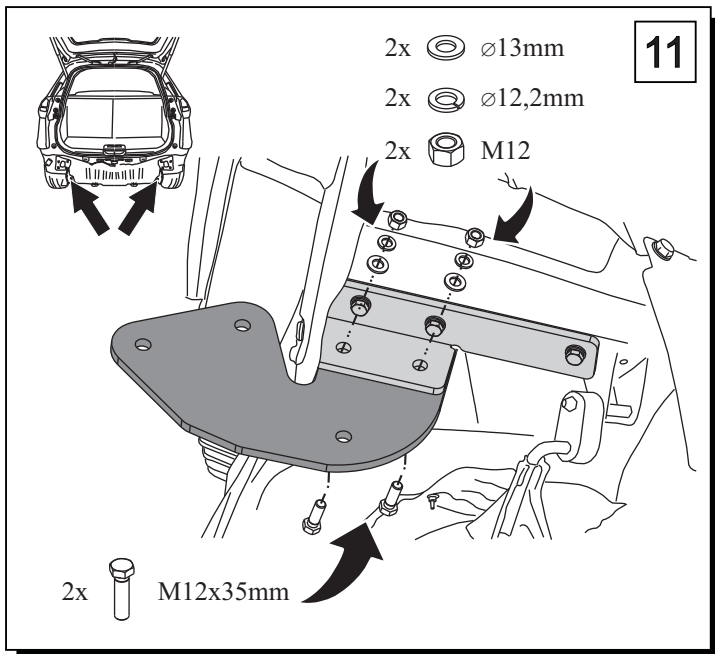
05



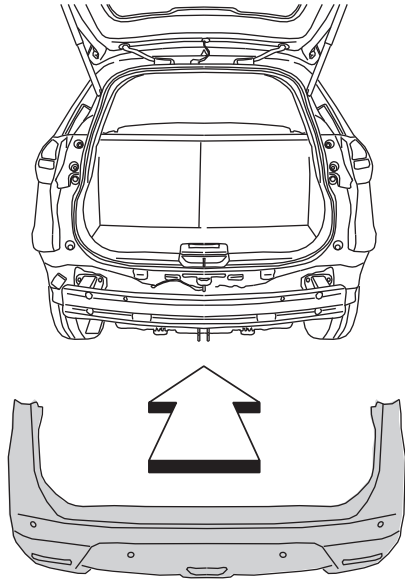
06



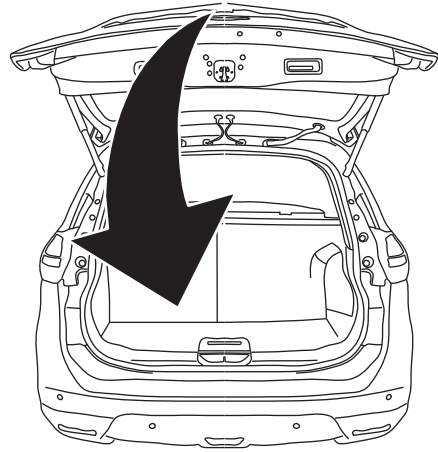




17



18



19

