

PPUH AUTO-HAK Sp.J.

Henryk & Zbigniew Nejman
ul. Słoneczna 16K 76-200 SŁUPSK
POLAND

tel/fax +48 059 8-414-414; 8-414-413

e-mail: office@autohak.com.pl

www.autohak.com.pl



AUTO-HAK



NISSAN PULSAR 5D

Cat. no:

V75A



08.2014 →



E20-55R-01 4037



7,0 kN



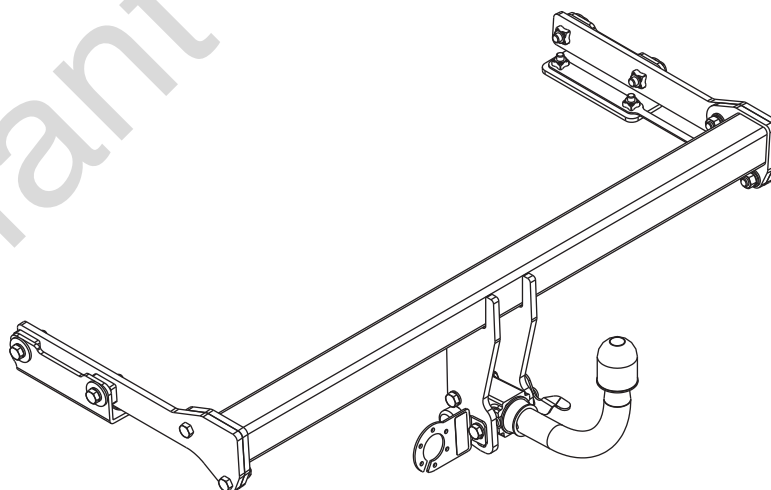
R=1200 kg



S=75 kg



2h



M6 - 11 Nm
M10 - 50 Nm
M14 - 138 Nm

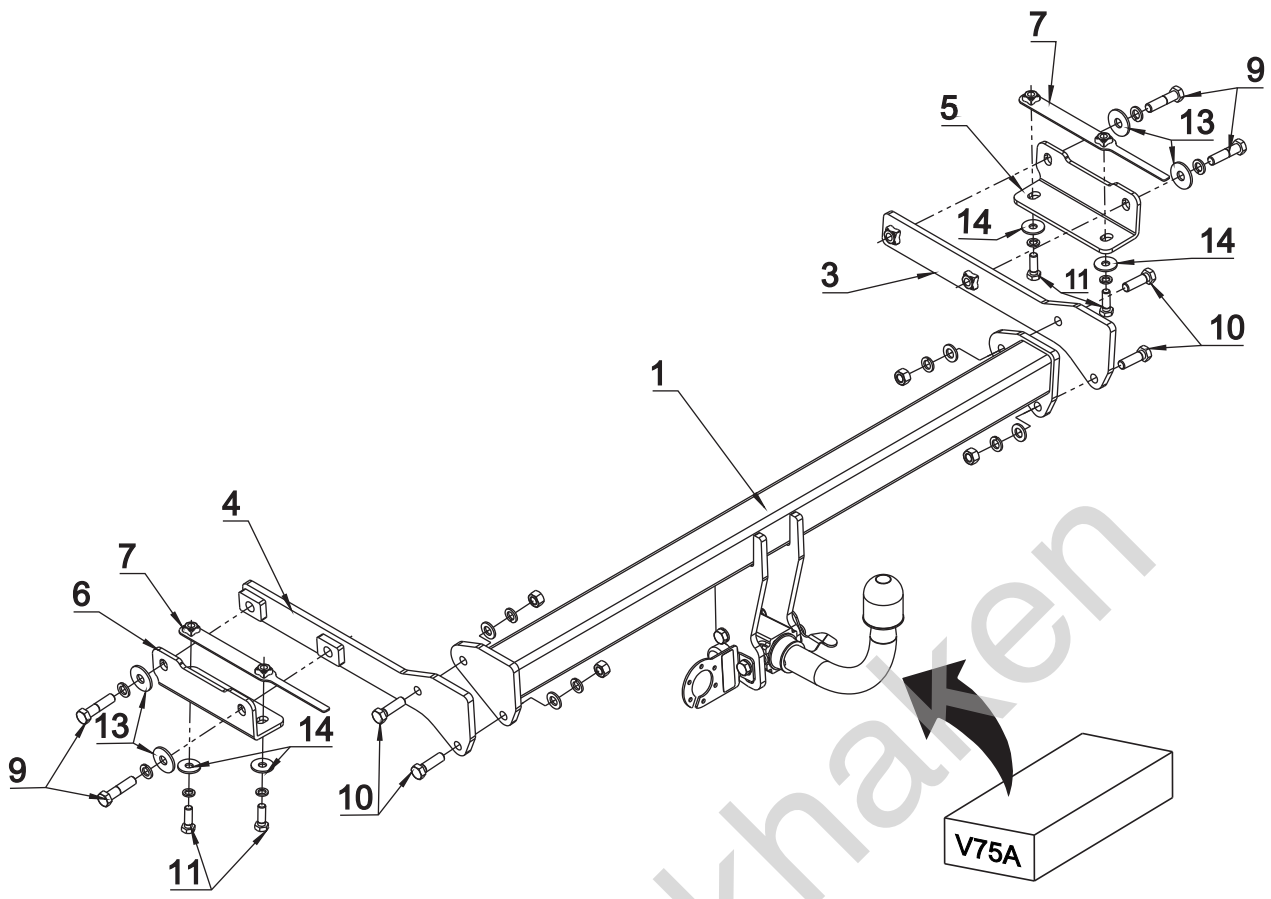
M8 - 25 Nm
M12 - 87 Nm
M16 - 210 Nm

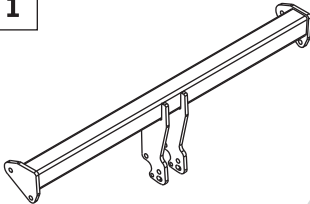

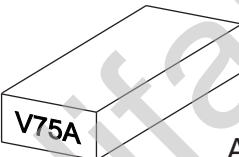

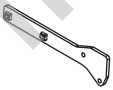

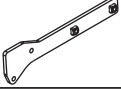




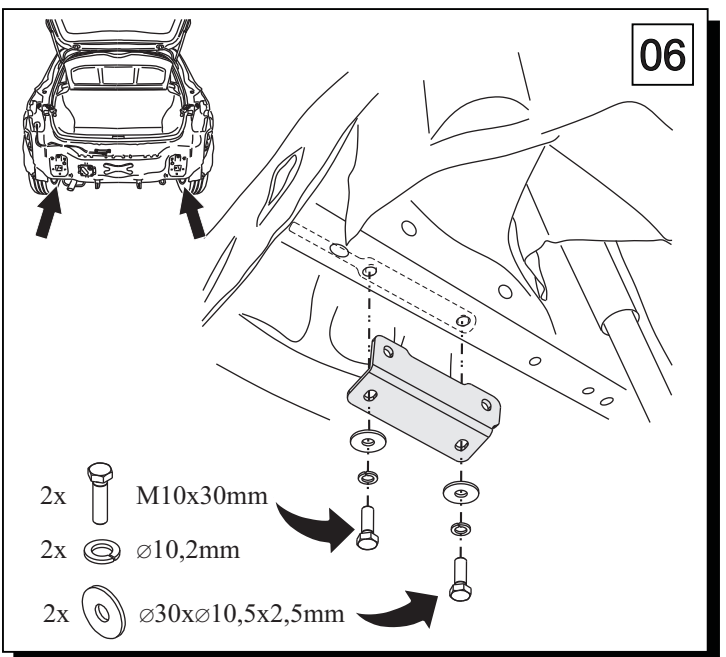
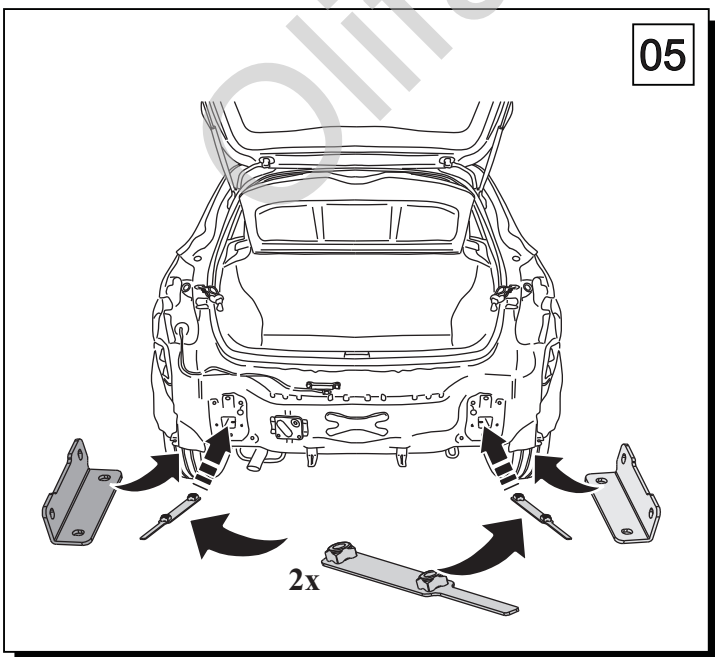
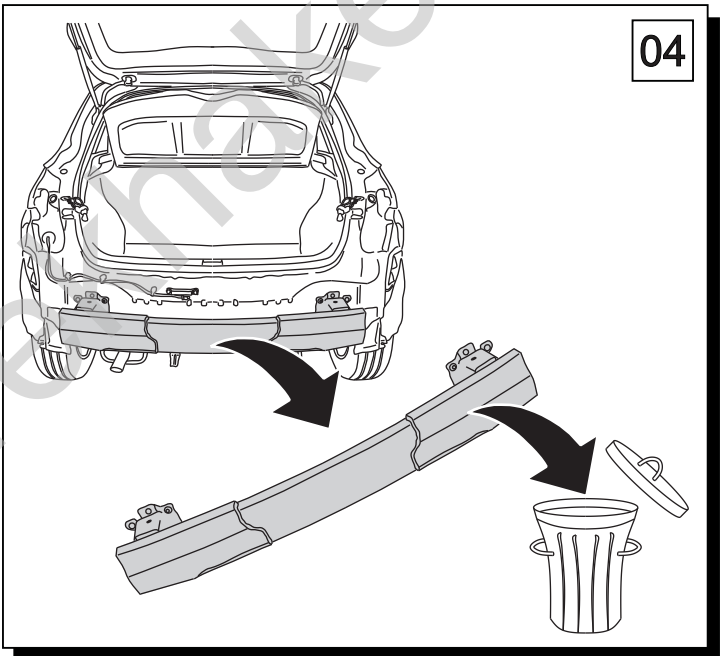
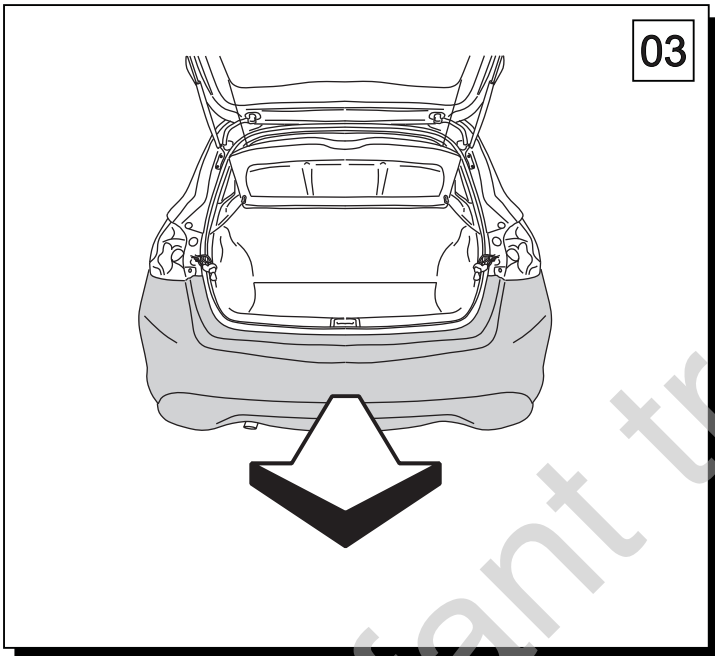
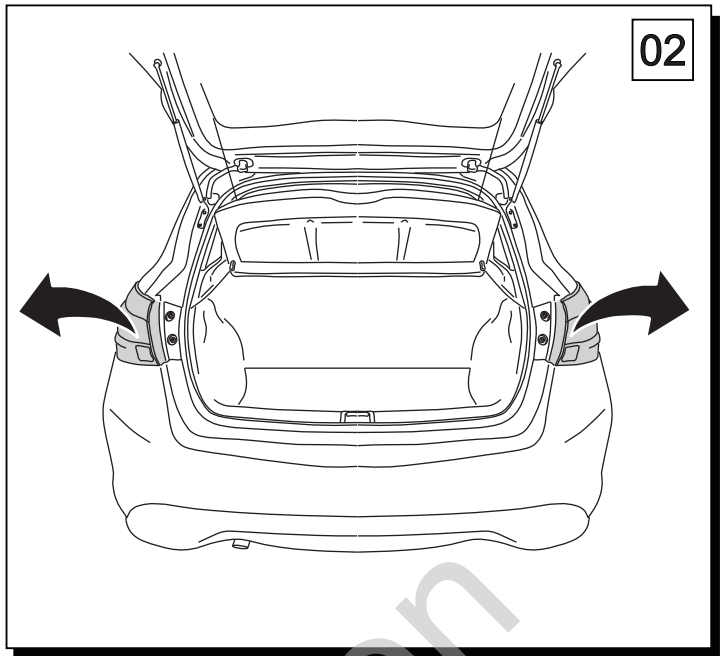
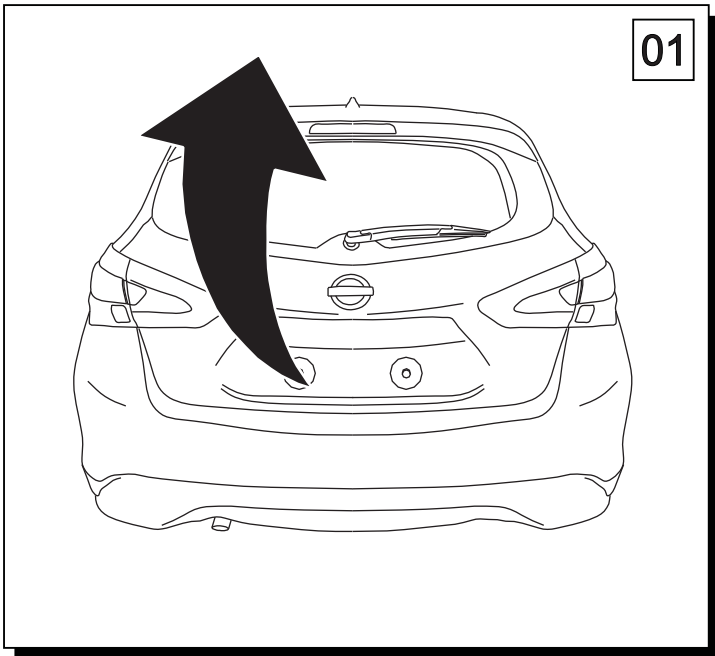
0 km →

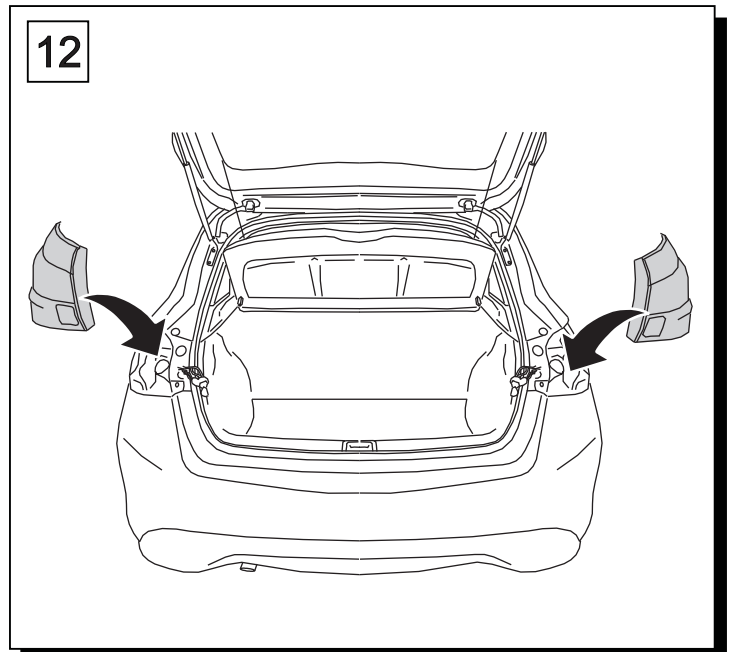
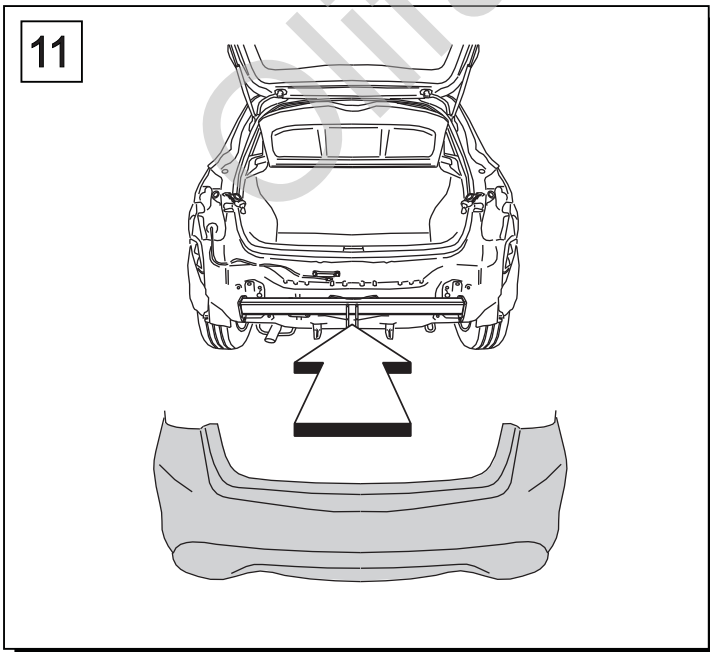
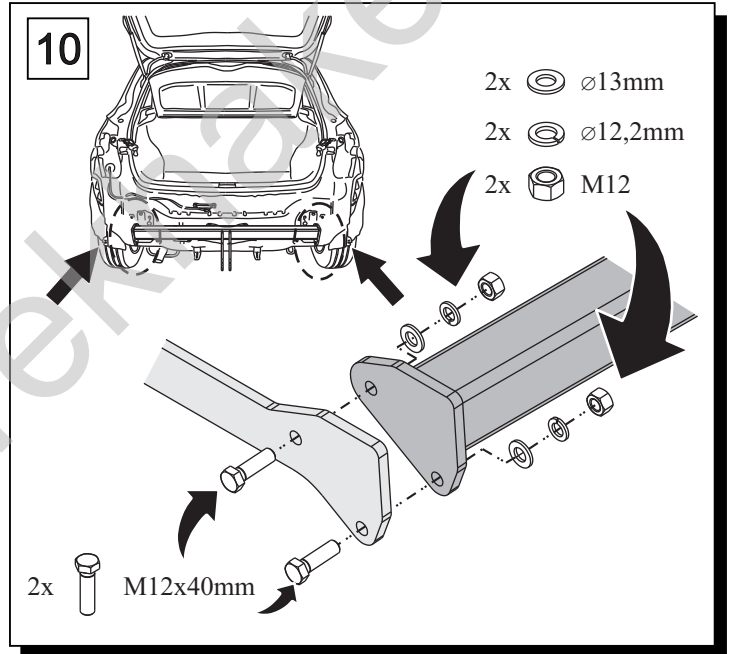
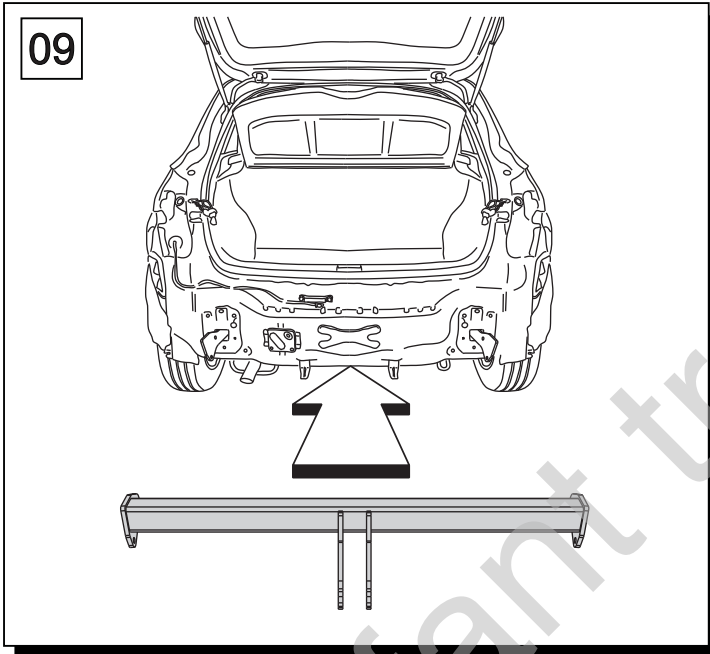
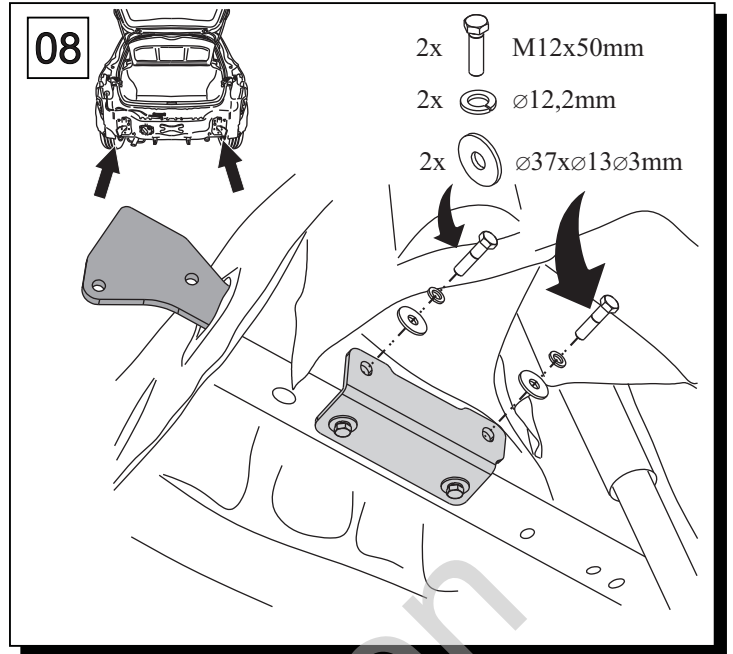
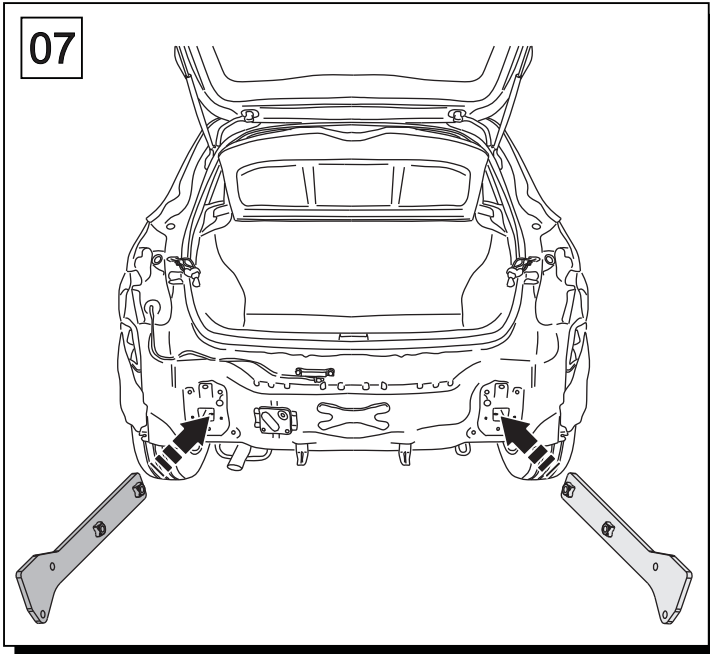


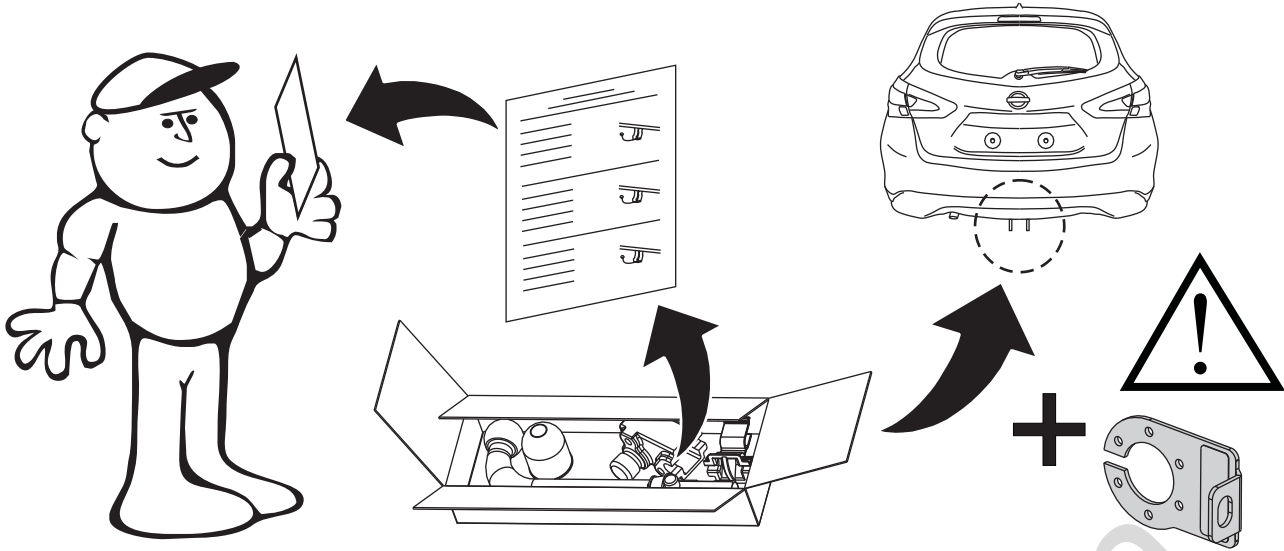
1000 km



	x1		9	M12x50	x4
			10	M12x40	x4
			11	M10x30	x4
			12	∅ 13	x4
	x1		13	∅ 37x∅13x3 13 (DIN 9021)	x4
			14	∅ 30x∅10.5x2.5 10 (DIN 9021)	x4
	x1		15	∅ 12.2	x8
			16	∅ 10.2	x4
	x1		17	M12	x4
			17	M12	x4
5	x1				
6	x1				
7	x2				
8	x1				
					







M6 - 11 Nm
M10 - 50 Nm
M14 - 138 Nm

M8 - 25 Nm
M12 - 87 Nm
M16 - 210 Nm



0 km



1000 km