

AUTO-HAK Sp. z o.o.

ul. Słoneczna 16K 76-200 SŁUPSK
POLAND

tel/fax +48 59 8 414 414; +48 59 8 414 413

e-mail: office@autohak.com.pl

www.autohak.com.pl



AUTO-HAK



NISSAN NOTE

5D, VAN, ~~CVT gearbox~~

Cat. no:

V74A



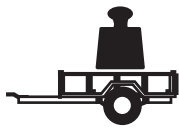
10.2013 →



E20-55R-01 4022



3,52 kN



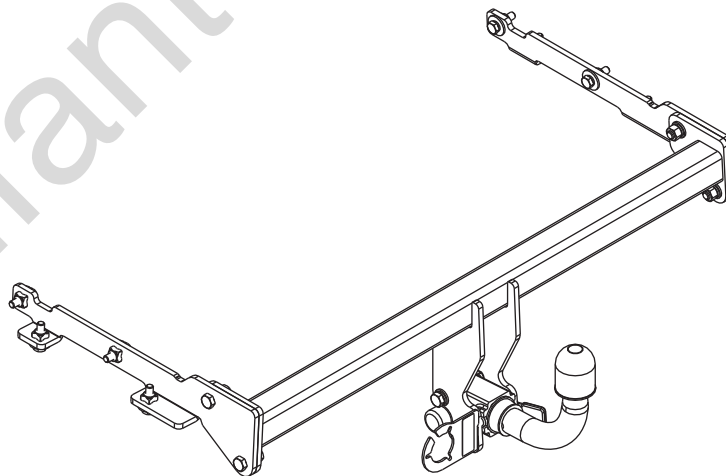
R=460 kg



S=50 kg



2h



M6 - 11 Nm
M10 - 50 Nm
M14 - 138 Nm

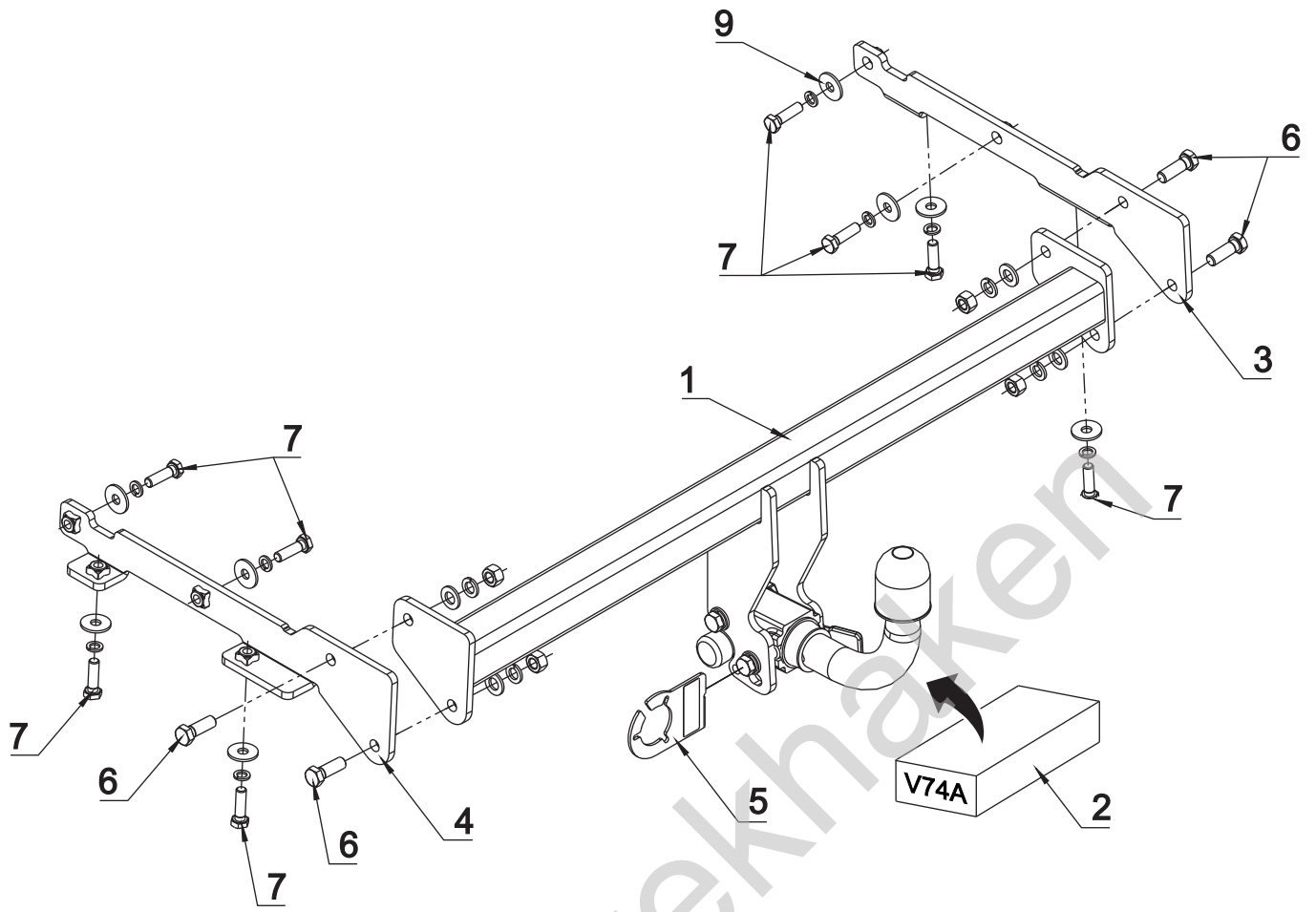
M8 - 25 Nm
M12 - 87 Nm
M16 - 210 Nm

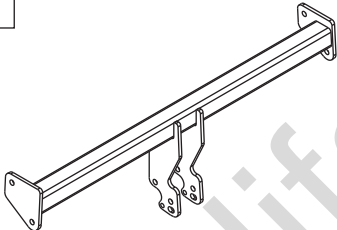




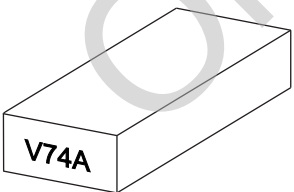



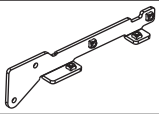
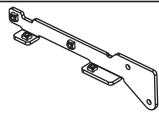



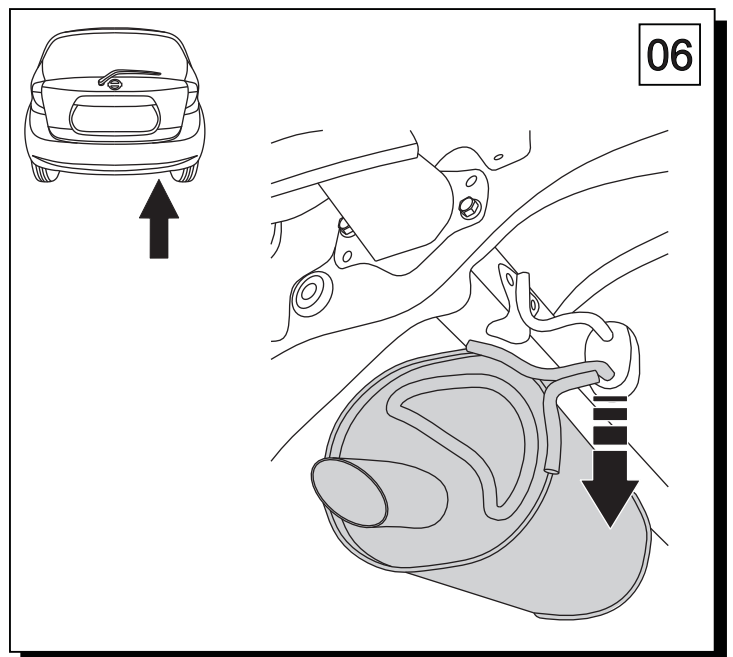
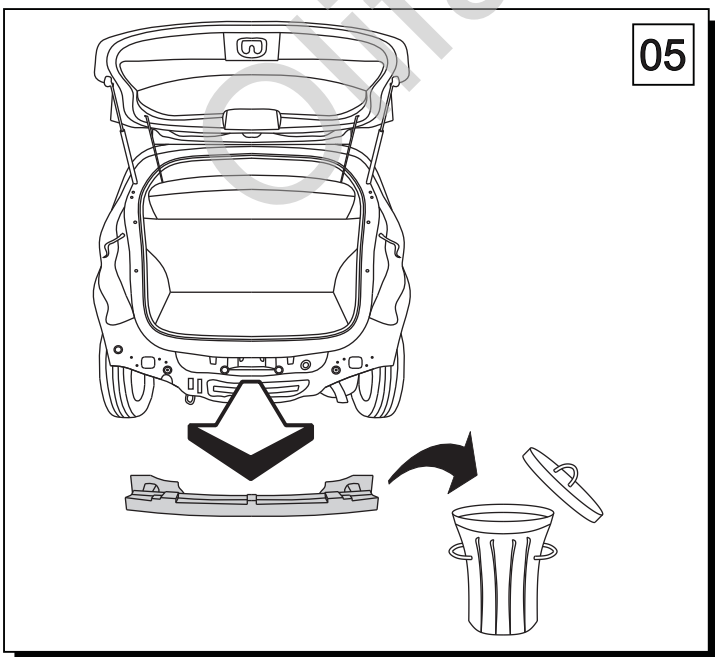
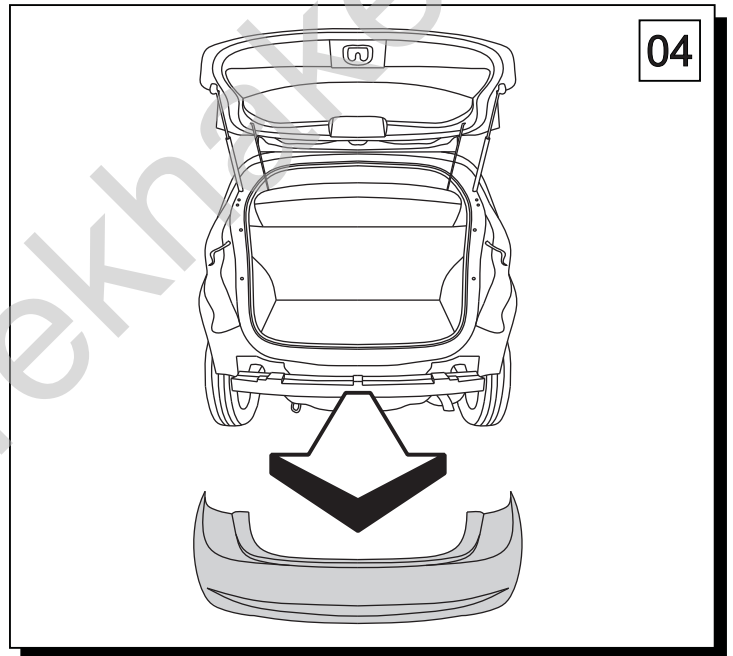
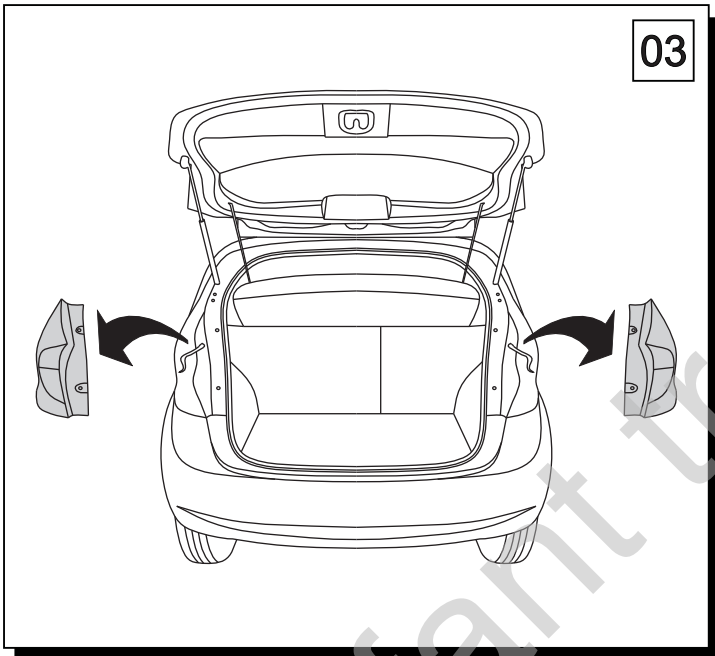
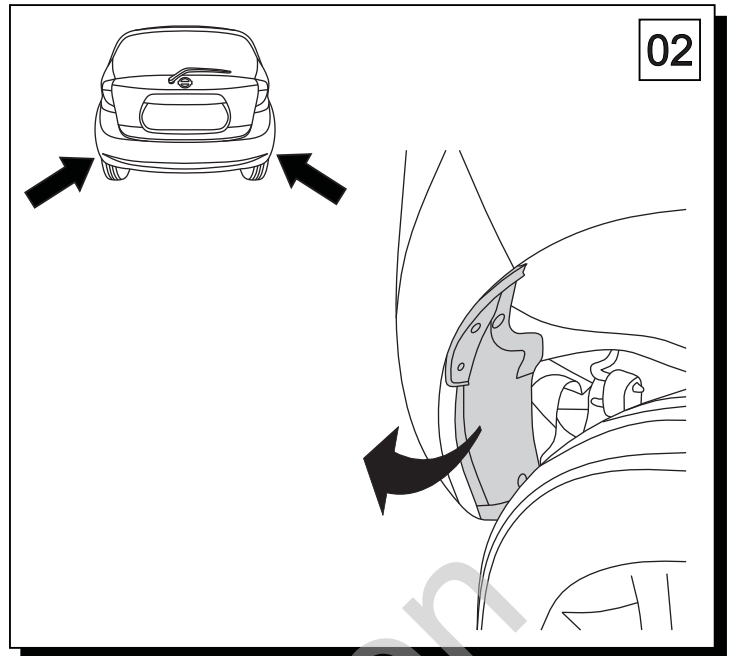
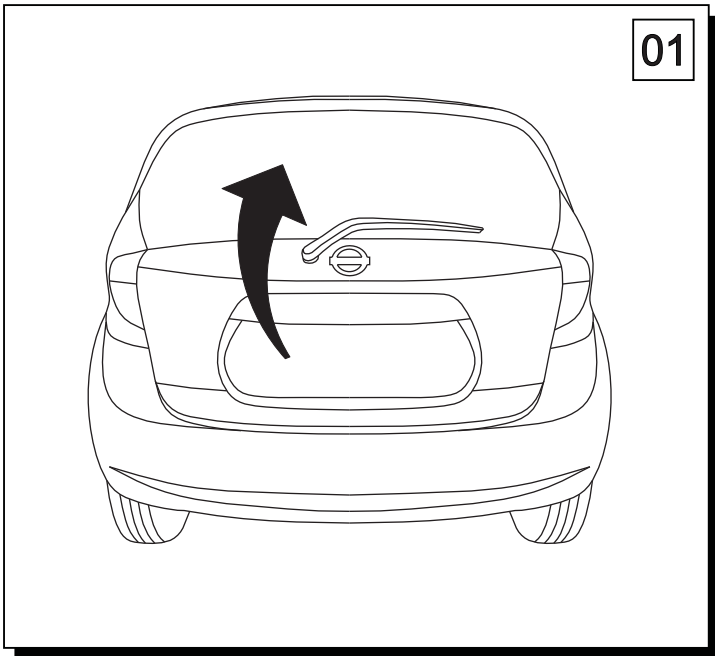
0 km →



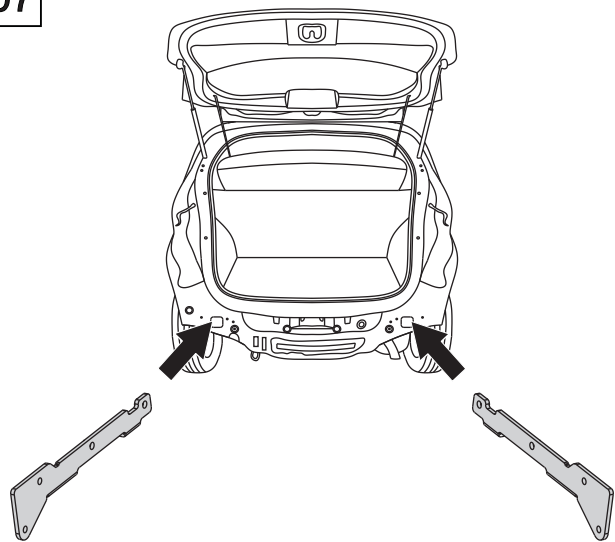
1000 km



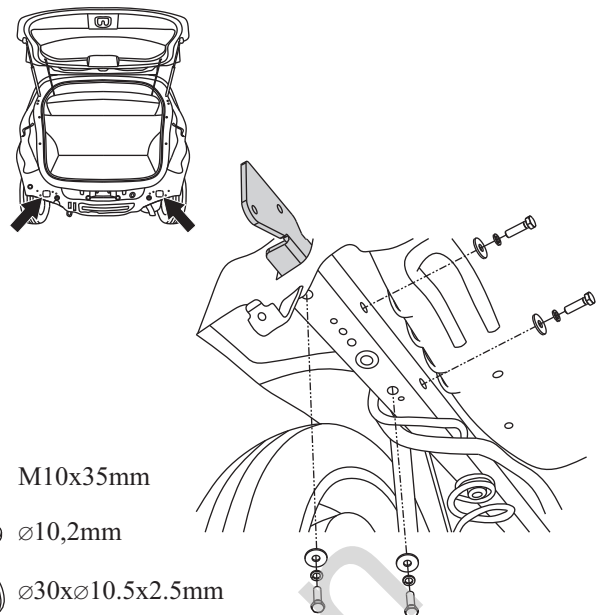
| | | | | | | | |
|-------------------------------------------------------------------------------------|----------------|-------------------------------------------------------------------------------------|-------------------------------------------------------------------------------------|-------------------------------------------------------------------------------------|-------------------------------------------------------------------------------------|---------------------------------------------------|----------|
|  | x 1 |  | 6 M12x35 | x 4 | | | |
| | | |  | 7 M10x35 | x 8 | | |
| | | | |  | 8 \varnothing 13 | x 4 | |
| | | | | |  | 9 \varnothing 30x \varnothing 10.5x2.5 | 8 |
| | | | | | | 10 DIN 9021 | |
|  | x 1 |  | 10 \varnothing 12.2 | x 4 | | | |
| | | |  | 11 \varnothing 10.2 | x 8 | | |
| | | | |  | 12 M12 | x 4 | |
|  | x 1 | | | | | | |
|  | x 1 | | | | | | |
|  | x 1 | | | | | | |
| | Art.nr-KL1V74A | | | | | | |
| | Art.nr-BL1V74A | | | | | | |



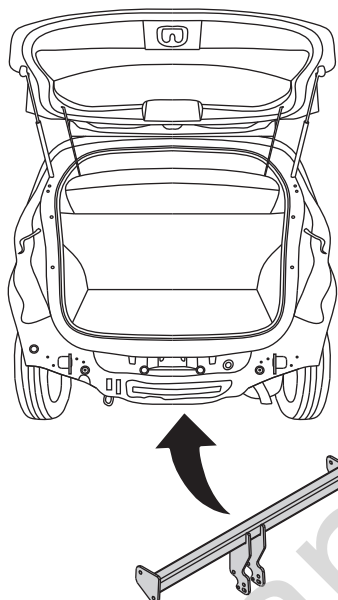
07



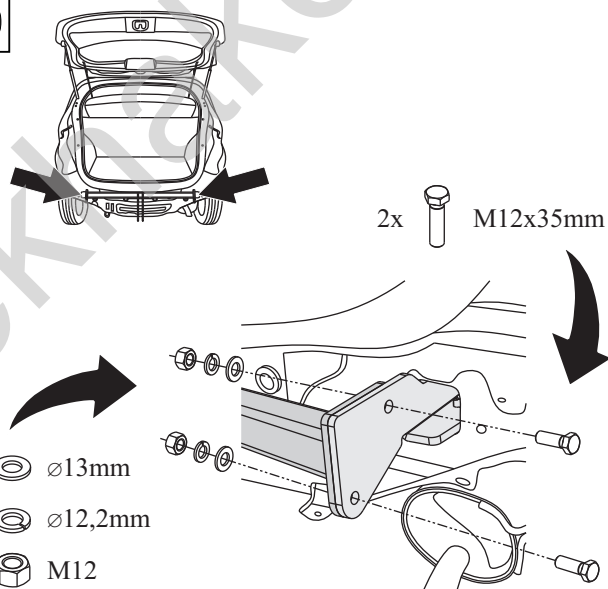
08



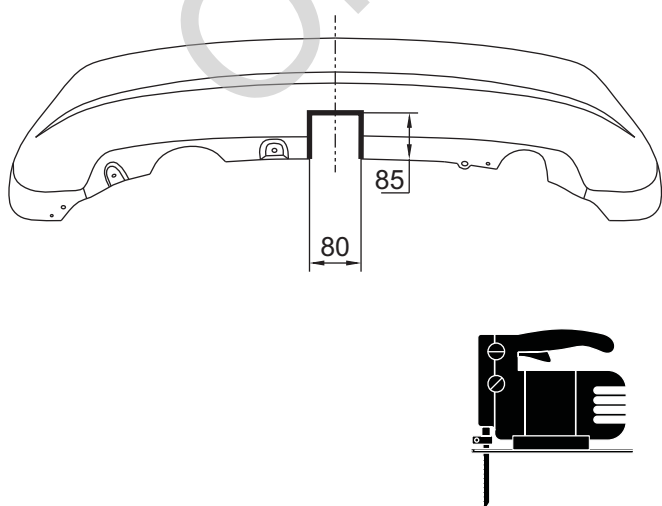
09



10



11



12

