

AUTO-HAK Sp. z o.o.

ul. Słoneczna 16K 76-200 SŁUPSK
POLAND

tel/fax +48 59 8 414 414; +48 59 8 414 413

e-mail: office@autohak.com.pl

www.autohak.com.pl



AUTO-HAK

NISSAN QASHQAI /+2 2+4WD (J11), 7x

Nr kat.

V73A



02.2014 → 10.2018



E20-55R-01 3778



2h

D

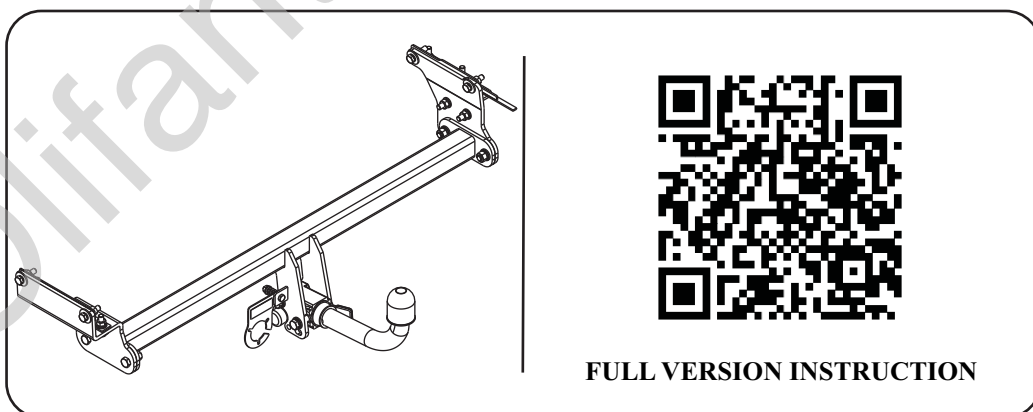
9,40 kN



R=1800 kg



S=100 kg



FULL VERSION INSTRUCTION



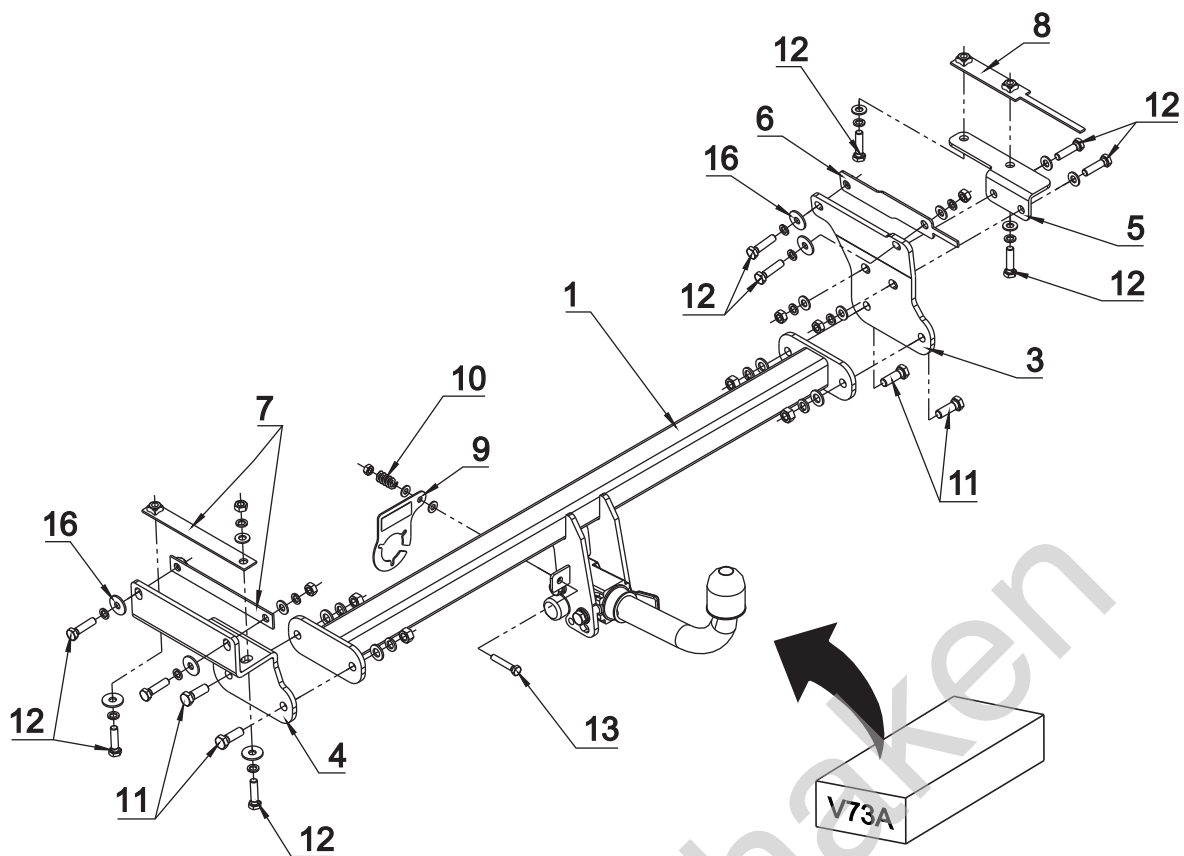
| śruba | Nm | M6 | M8 | M10 | M12 | M14 | M16 |
|------------|----|-----|----|-----|-----|-----|-----|
| klasa 8.8 | | 9,9 | 24 | 48 | 83 | 132 | 200 |
| klasa 10.9 | | 14 | 34 | 67 | 117 | 185 | 285 |

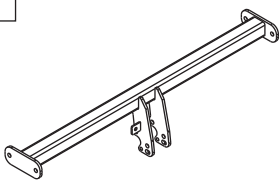

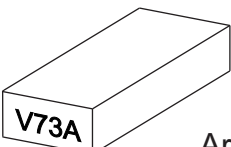








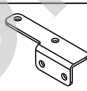


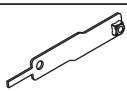
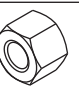

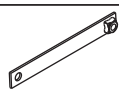

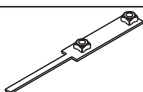

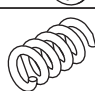


0 km →

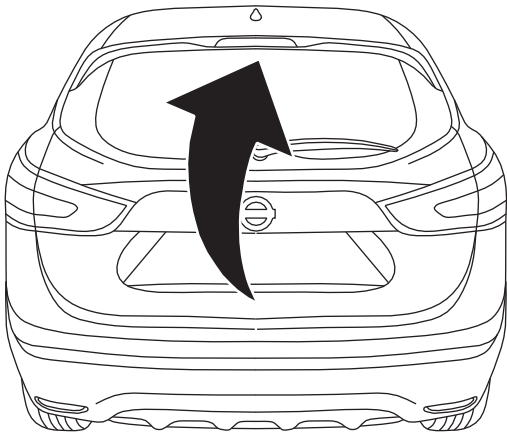


1000 km

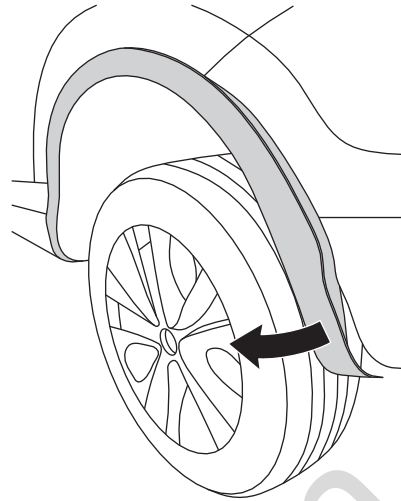


| | | | | | | |
|----|-------------------------------------------------------------------------------------------------------|-----|-------------------------------------------------------------------------------------|----|-------------------------------|------|
| 1 |  | x 1 |  | 11 | M12x35 | x 4 |
| 2 |  Art.nr-KL1V73A | x 1 |  | 12 | M10x40 | x 10 |
| | | |  | 13 | M8x45 | x 1 |
| 3 |  | x 1 |  | 14 | ∅ 13 | x 4 |
| | | |  | 15 | ∅ 10.5 | x 9 |
| 4 |  | x 1 |  | 16 | ∅ 30x∅10.5x2.5 10 DIN 9021 | 6 |
| | | |  | 17 | ∅ 8.4 | x 2 |
| 5 |  | x 1 |  | 18 | ∅ 12.2 | x 4 |
| | | |  | 19 | ∅ 10.2 | x 13 |
| 6 |  | x 1 |  | 20 | M12 | x 4 |
| | | |  | 21 | M10 | x 5 |
| 7 |  | x 2 |  | 22 | M8 | x 1 |
| | | | | | | |
| 8 |  | x 1 | | | | |
| 9 |  | x 1 | | | | |
| 10 |  | x 1 | | | | |

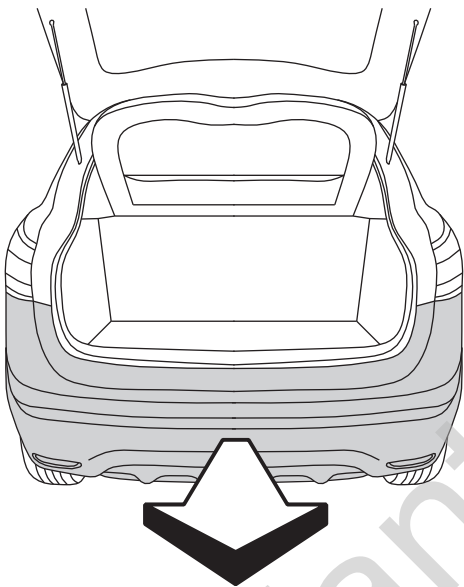
01



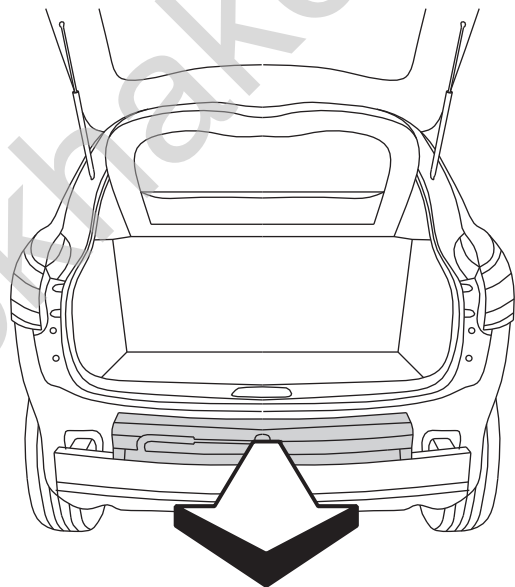
02



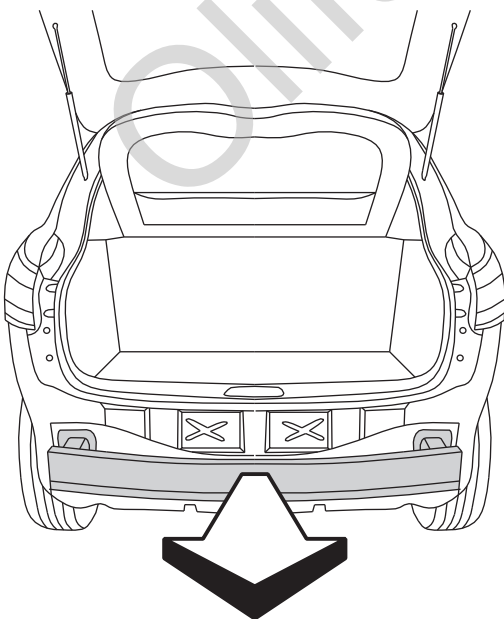
03



04



05



06

