

PPUH AUTO-HAK Sp.J.

Henryk & Zbigniew Nejman
ul. Słoneczna 16K 76-200 SŁUPSK
POLAND

tel/fax +48 059 8-414-414; 8-414-413

e-mail: office@autohak.com.pl

www.autohak.com.pl



AUTO-HAK



**NISSAN NV 200 (M20)
DOSTAWCZY, VAN**

Cat. no:

V70A



11.2009 →



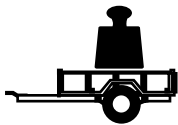
e20*94/20*1373*00



3h

D

7,82 kN



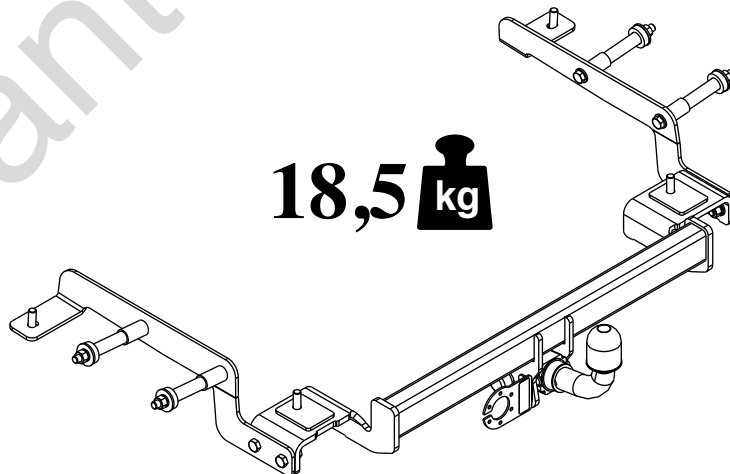
R=1250 kg



S=75 kg



18,5 kg



**M6 - 11 Nm
M10 - 50 Nm
M14 - 138 Nm**

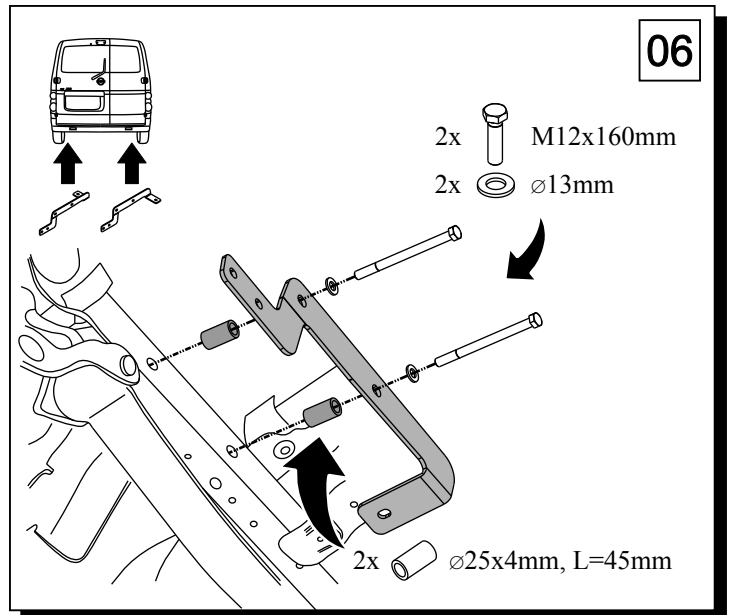
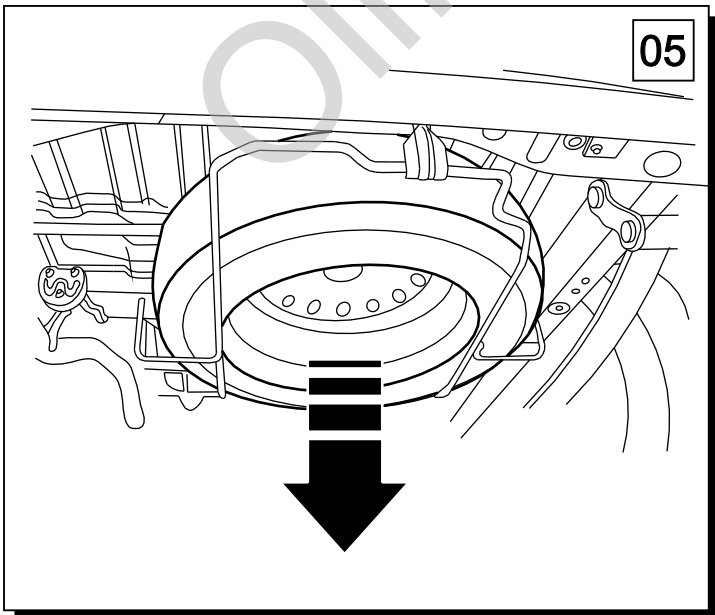
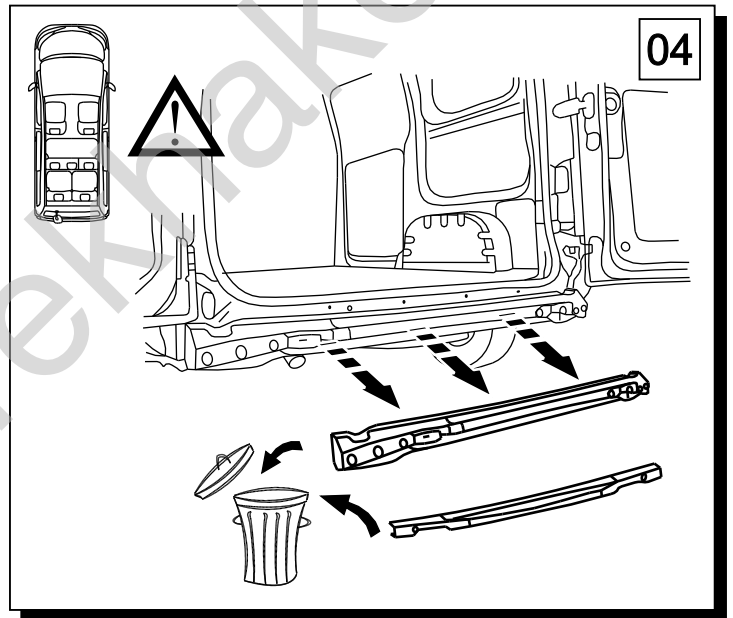
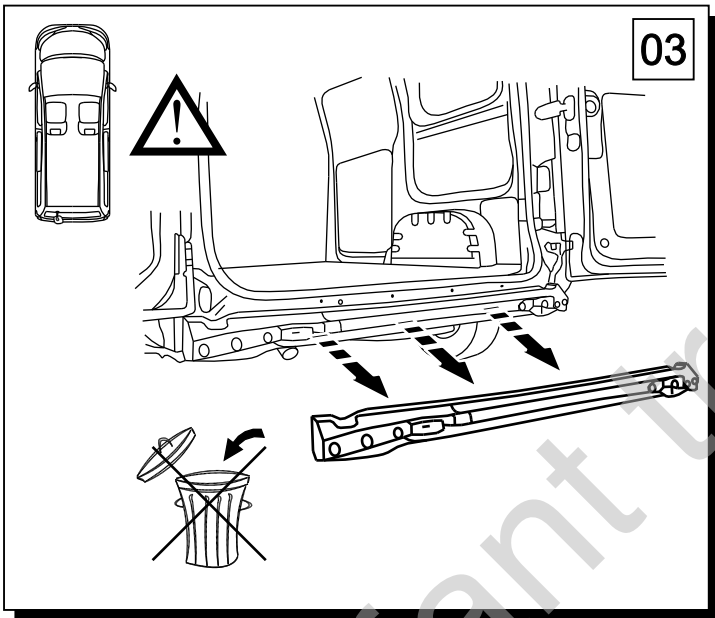
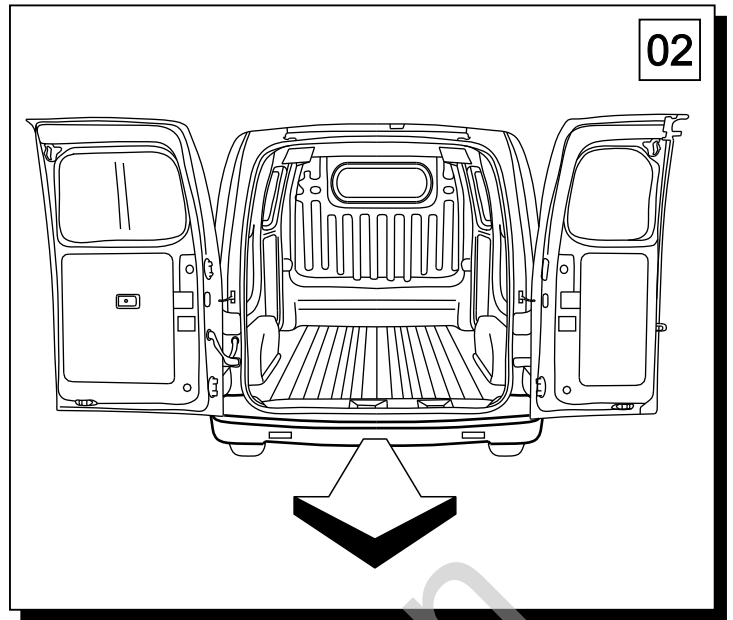
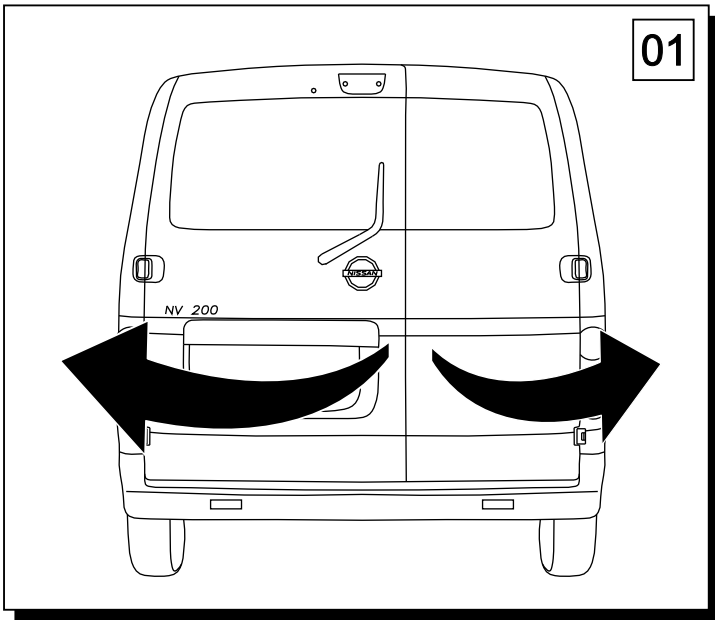
**M8 - 25 Nm
M12 - 87 Nm
M16 - 210 Nm**

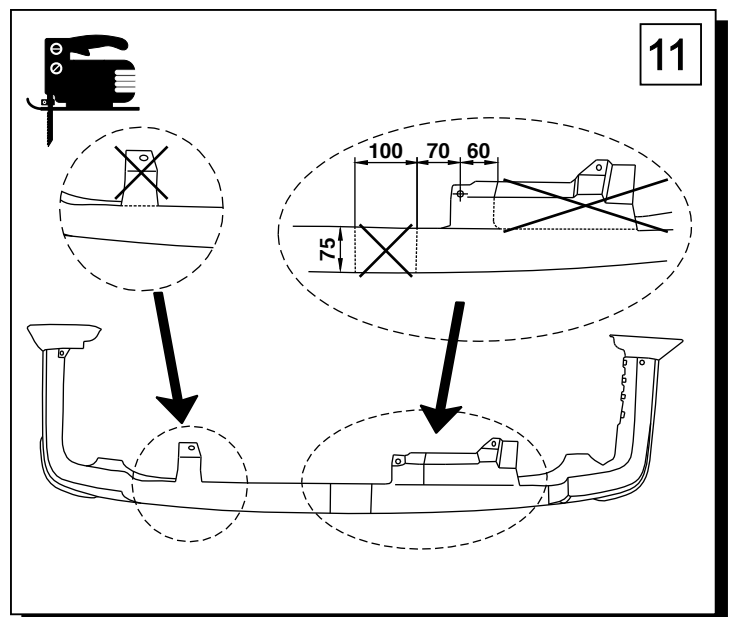
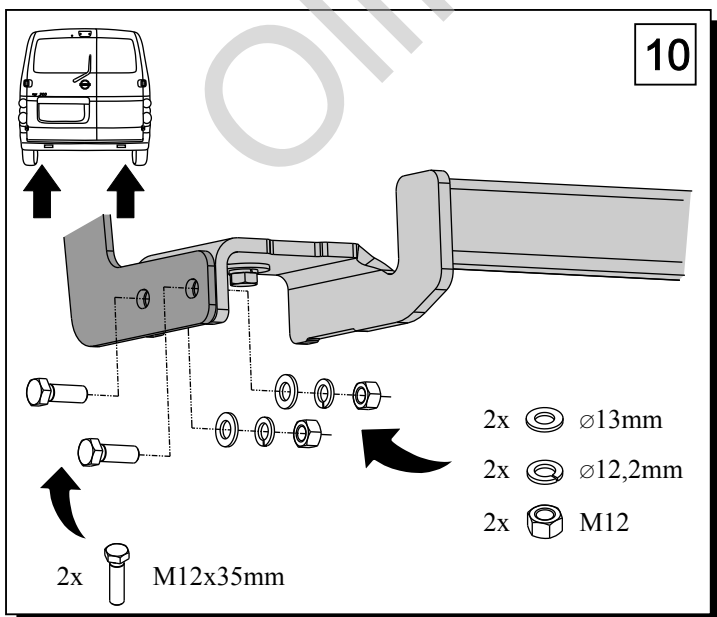
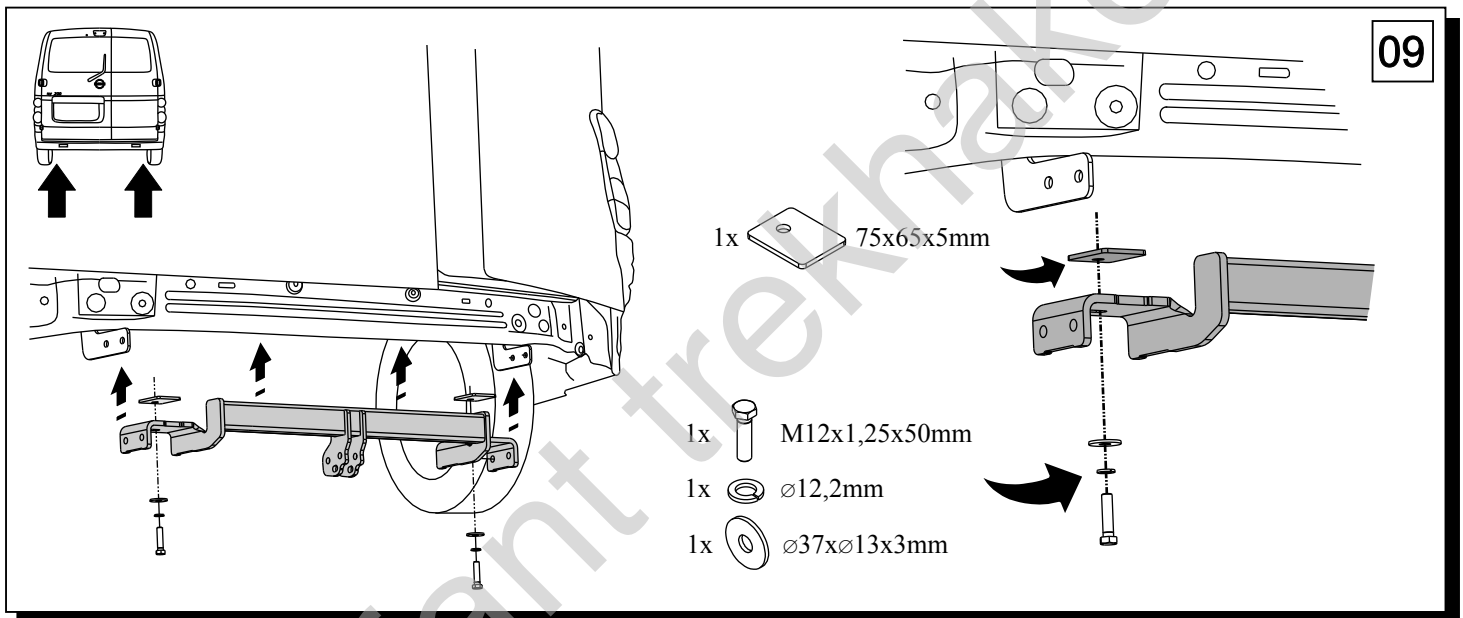
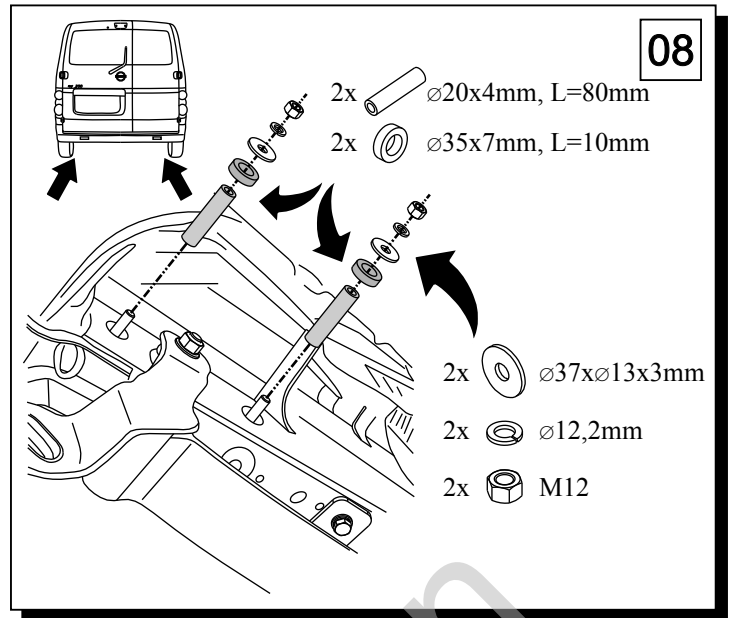
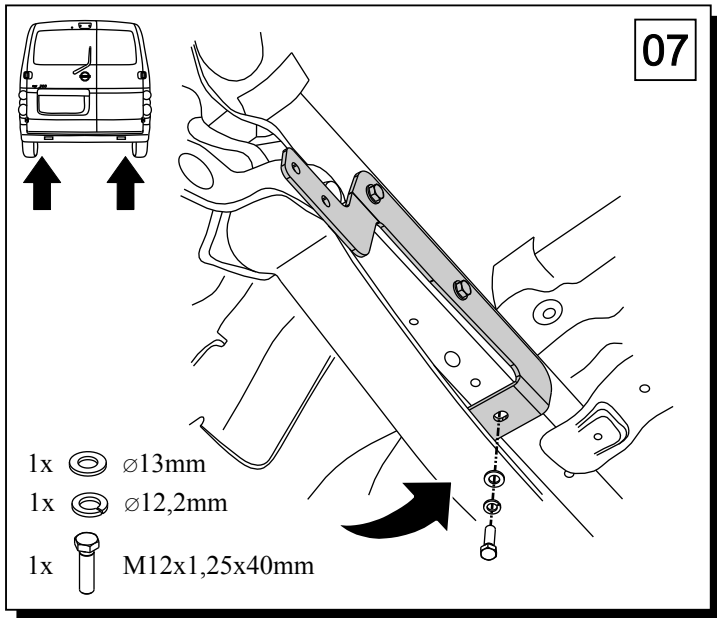


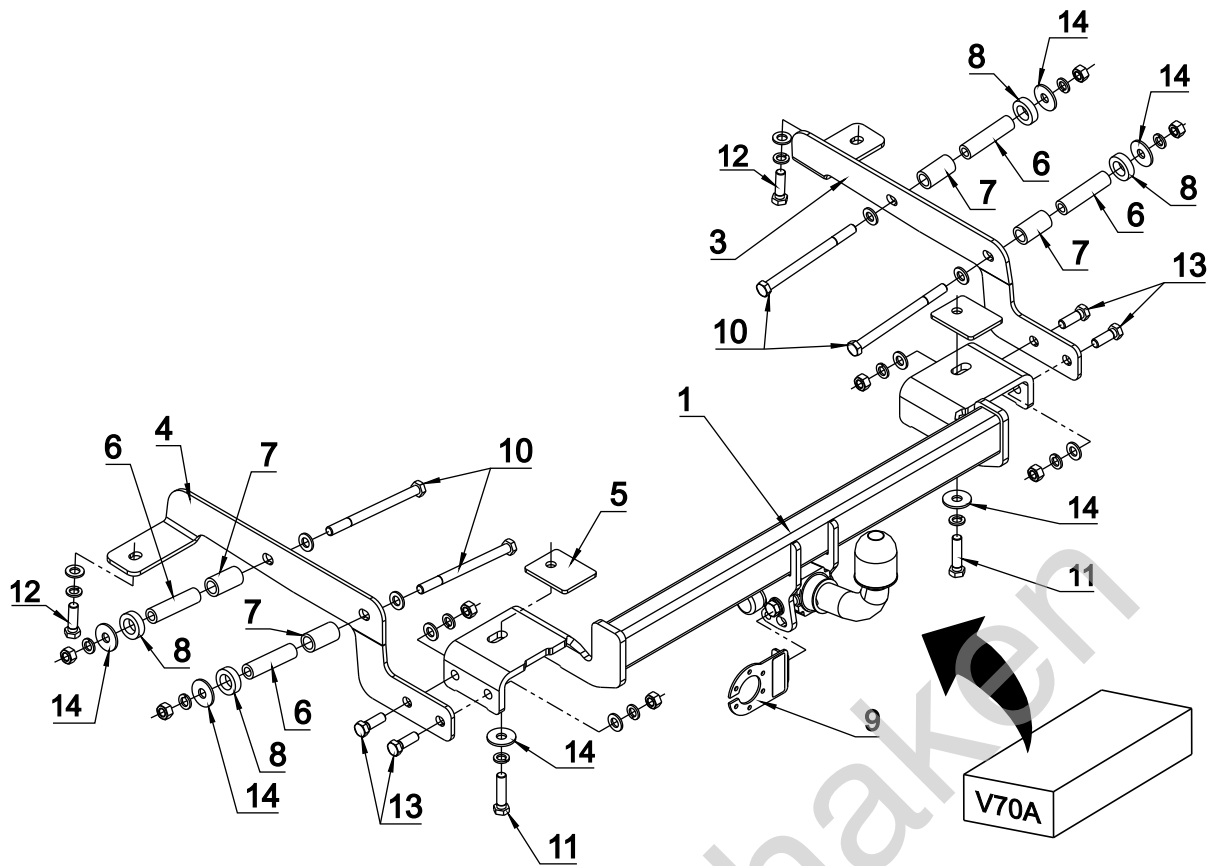
0 km →

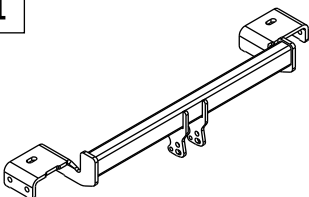

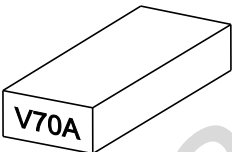

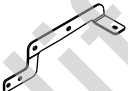



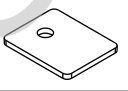

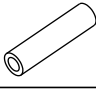


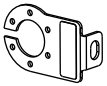


1000 km







1		x1		10 M12x160	x4
2	 Art.nr-KL1V70A	x1		11 M12x1.25x50	x2
				12 M12x1.25x40	x2
				13 M12x35	x4
3		x1		14 \varnothing 37x \varnothing 13x3	x6
				13 (DIN 9021)	
4		x1		15 \varnothing 13	x10
				16 \varnothing 12.2	x12
5		x2		17 M12	x8
	75x60x5mm				
6		x4			
	\varnothing 20x4mm, L=80mm				
7		x4			
	\varnothing 25x4mm, L=45mm				
8		x4			
	\varnothing 35x \varnothing 21x10mm				
9		x1			
	Art.nr-BL1V70A				

