

# PPUH AUTO-HAK Sp.J.

Henryk i Zbigniew Nejman  
ul. Słoneczna 16K 76-200 SŁUPSK  
POLAND

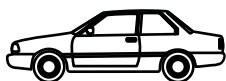
tel/fax +48 59 8 414 414; +48 59 8 414 413

e-mail: [office@autohak.com.pl](mailto:office@autohak.com.pl)

[www.autohak.com.pl](http://www.autohak.com.pl)



# AUTO-HAK



**NISSAN PIXO (UA)**

07.2009 →

**SUZUKI ALTO**

03.2009 →

Cat. no:

**V69A**

**e20**

e20\*94/20\*1371\*00



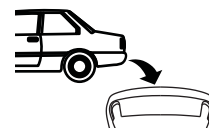
**2,5h**

**D**

4,2 kN



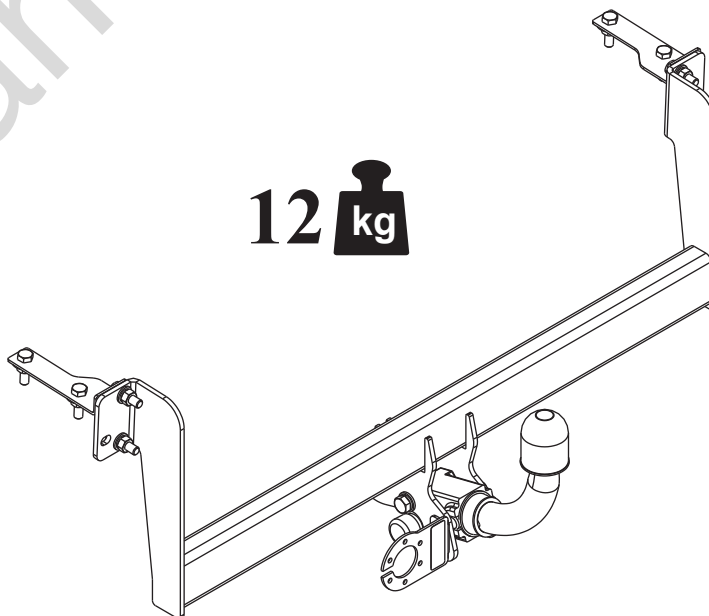
R=650 kg

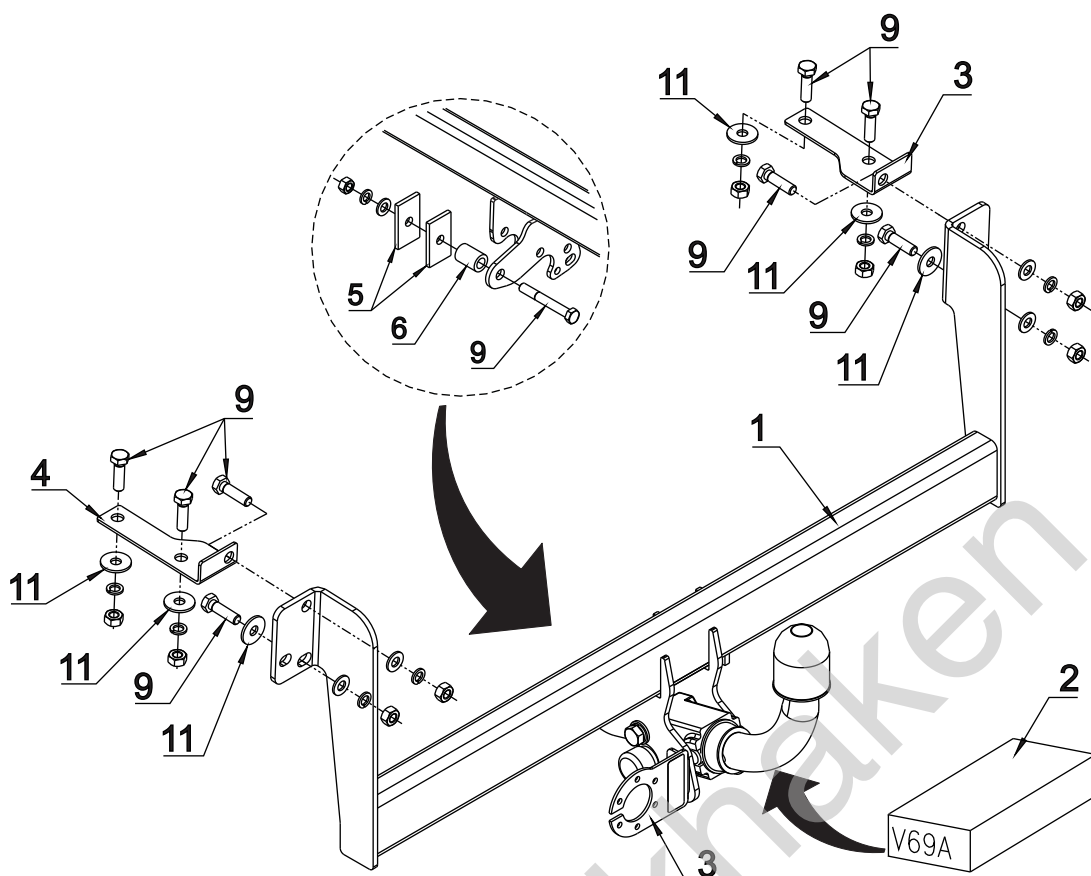


S=50 kg



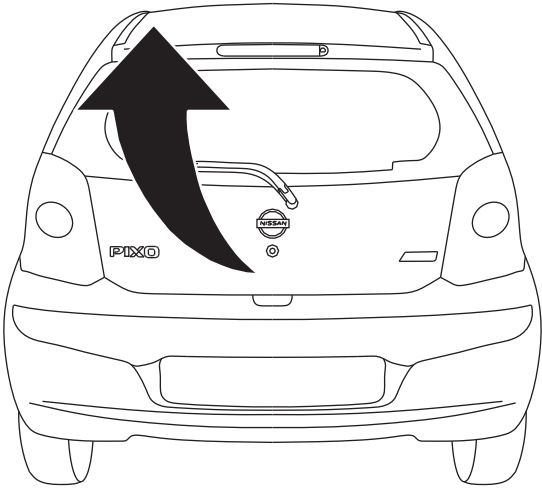
**12 kg**



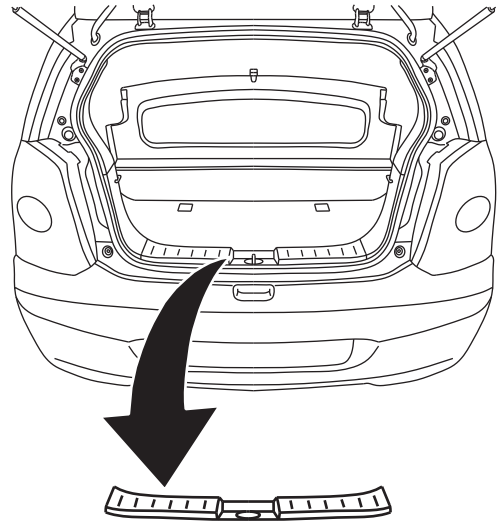


1		x1		8	M12x90	x1
				9	M10x35	x8
2		x1		10	∅ 13	x1
				11	∅ 30x∅10.5x2.5 10 (DIN 9021)	x6
3		x1		12	∅ 10.5	x4
				13	∅ 12.2	x1
4		x1		14	∅ 10.2	x8
				15	M12	x1
5		x2		16	M10	x8
6		x1				
7		x1				

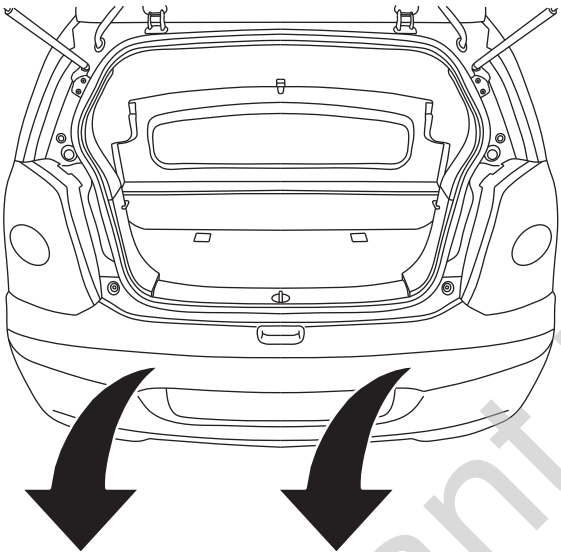
01



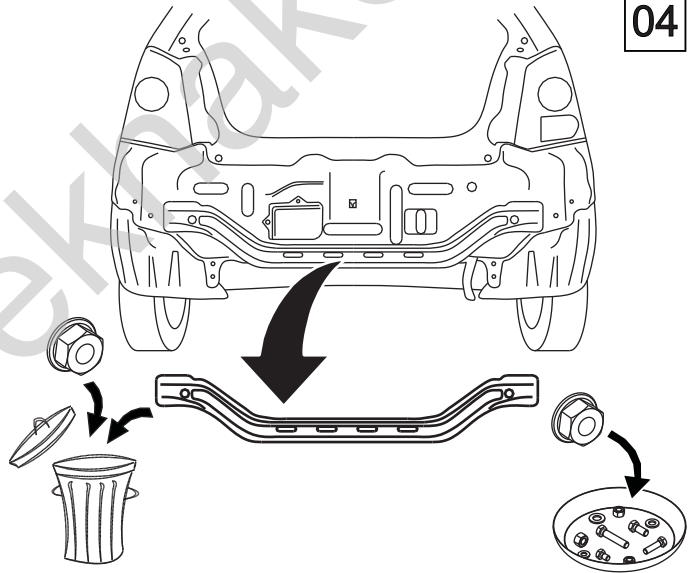
02



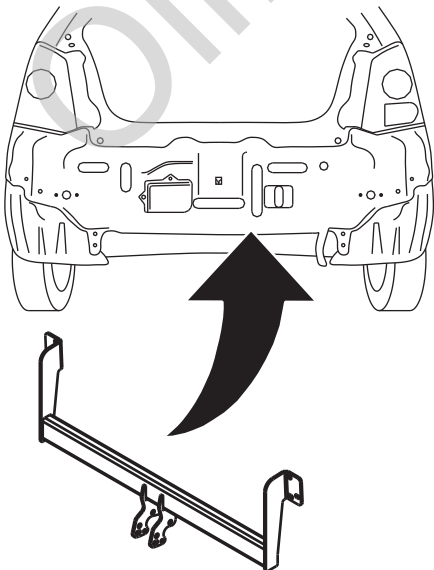
03



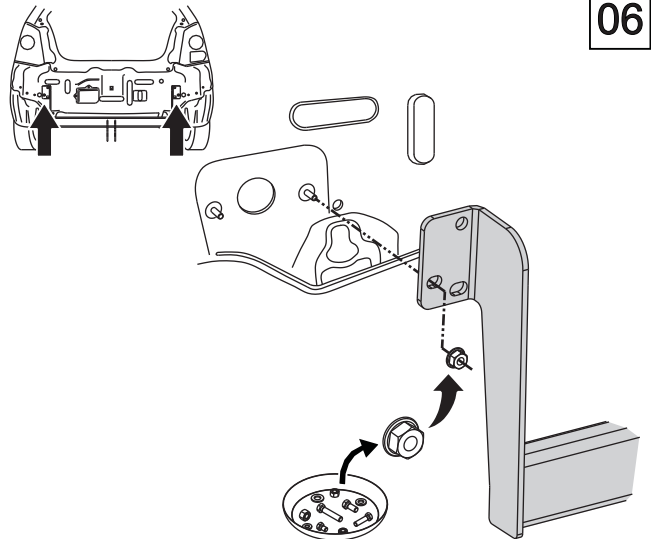
04

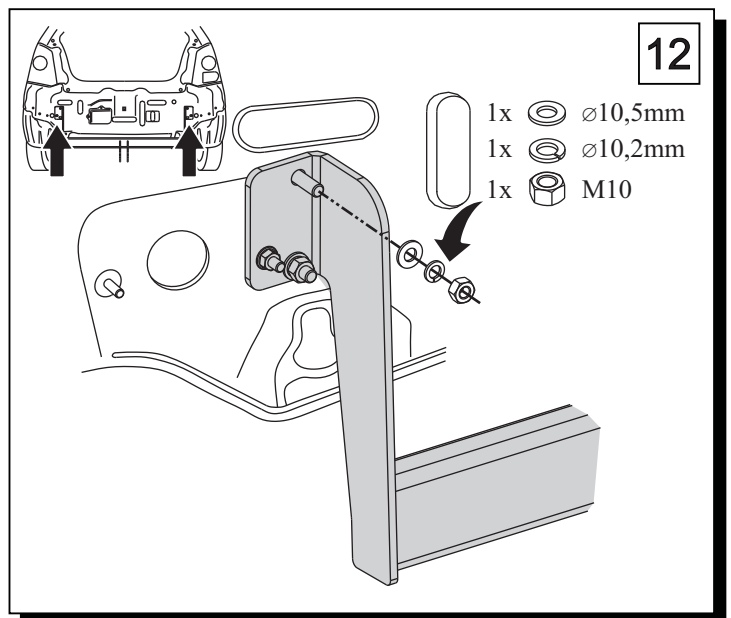
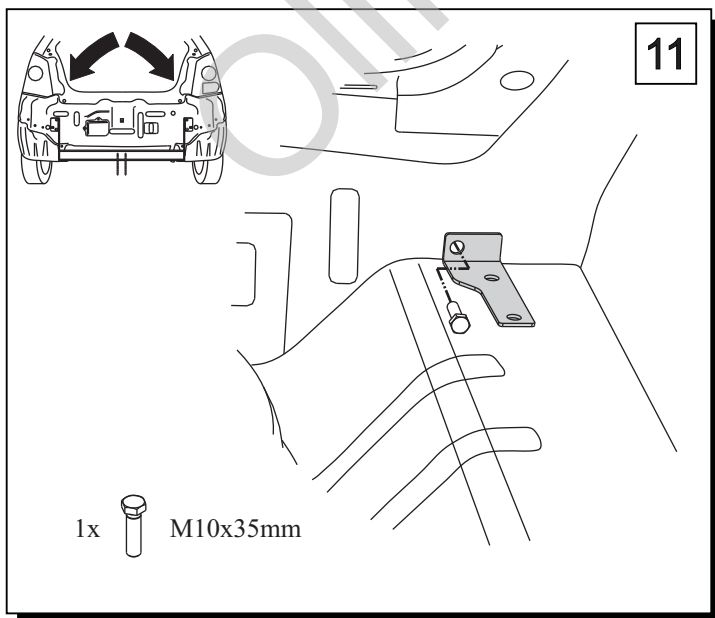
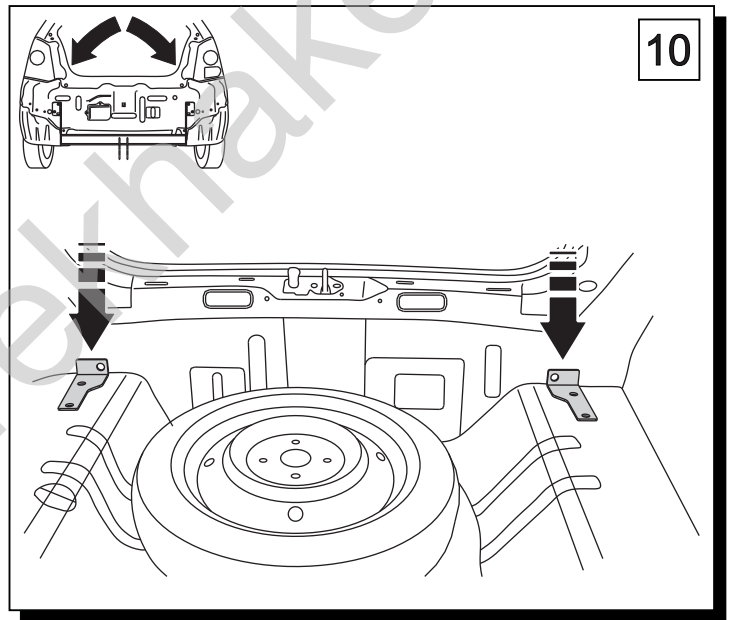
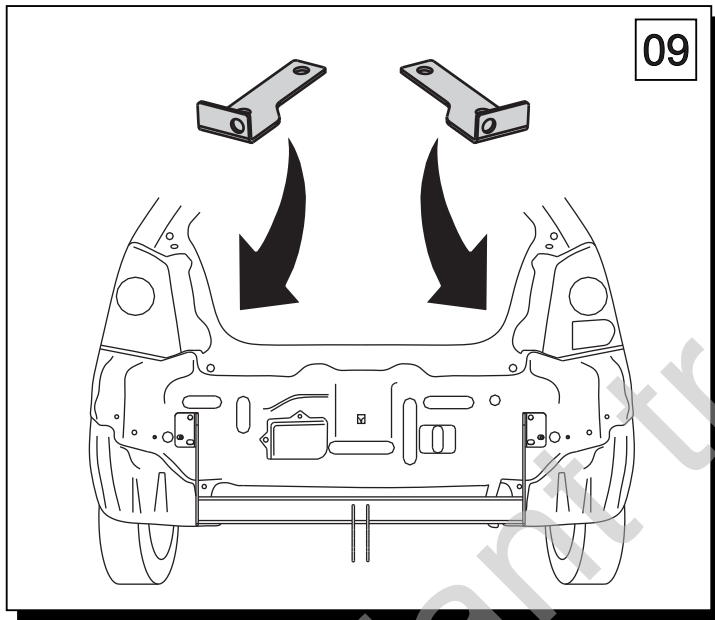
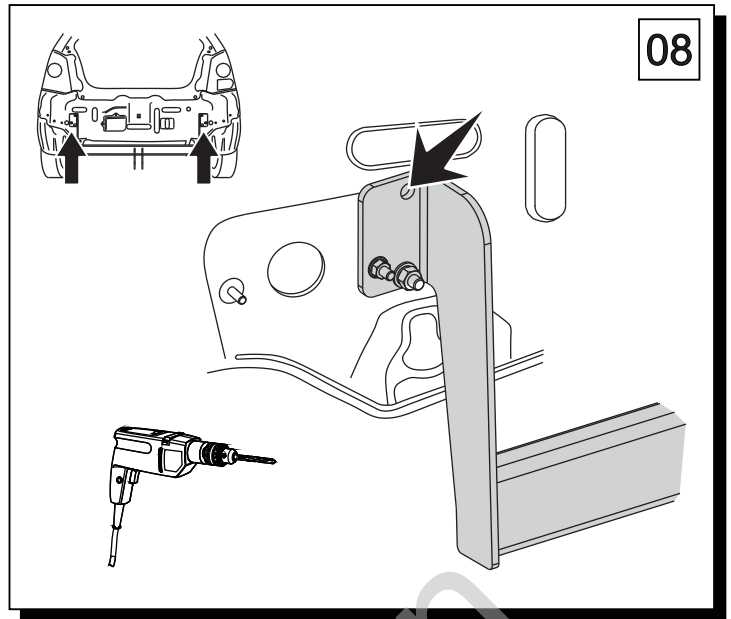
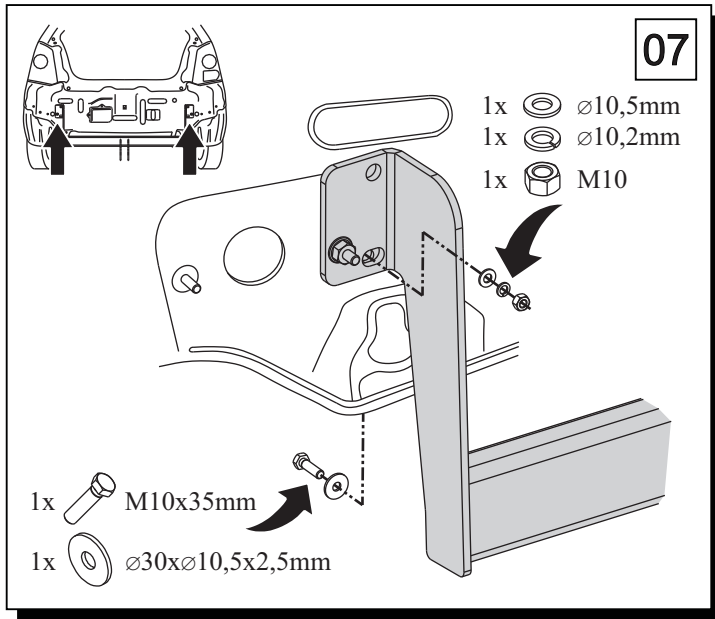


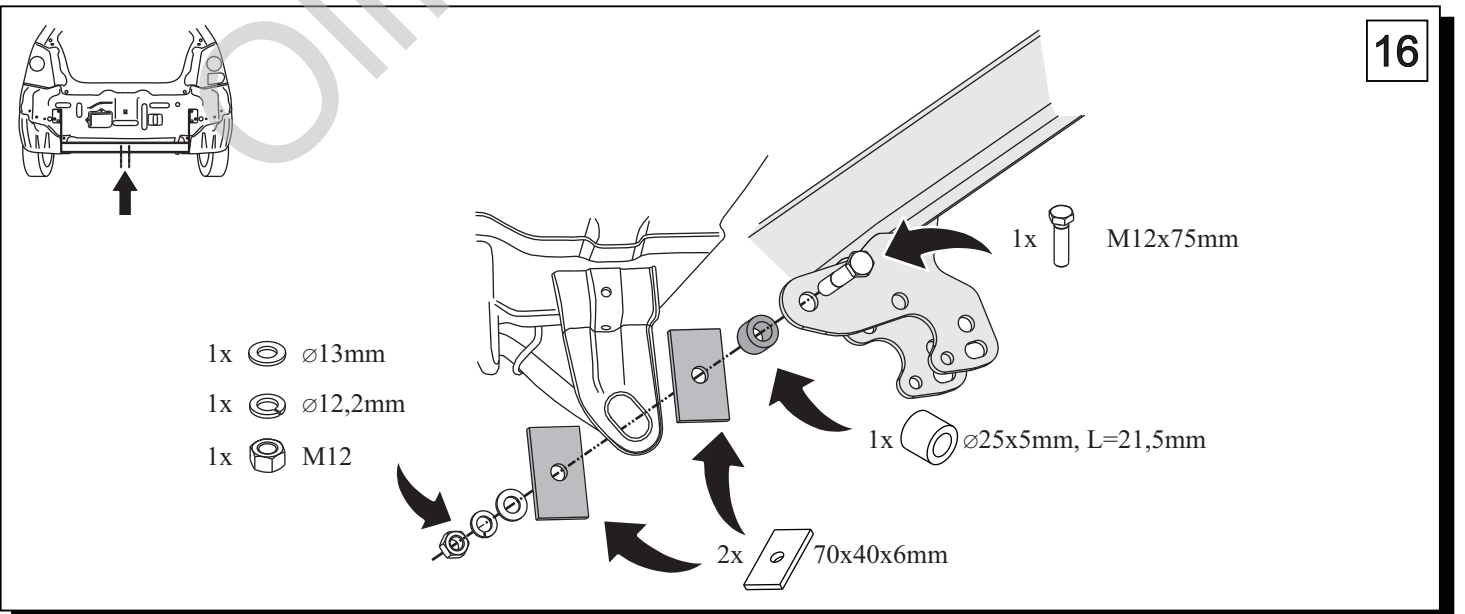
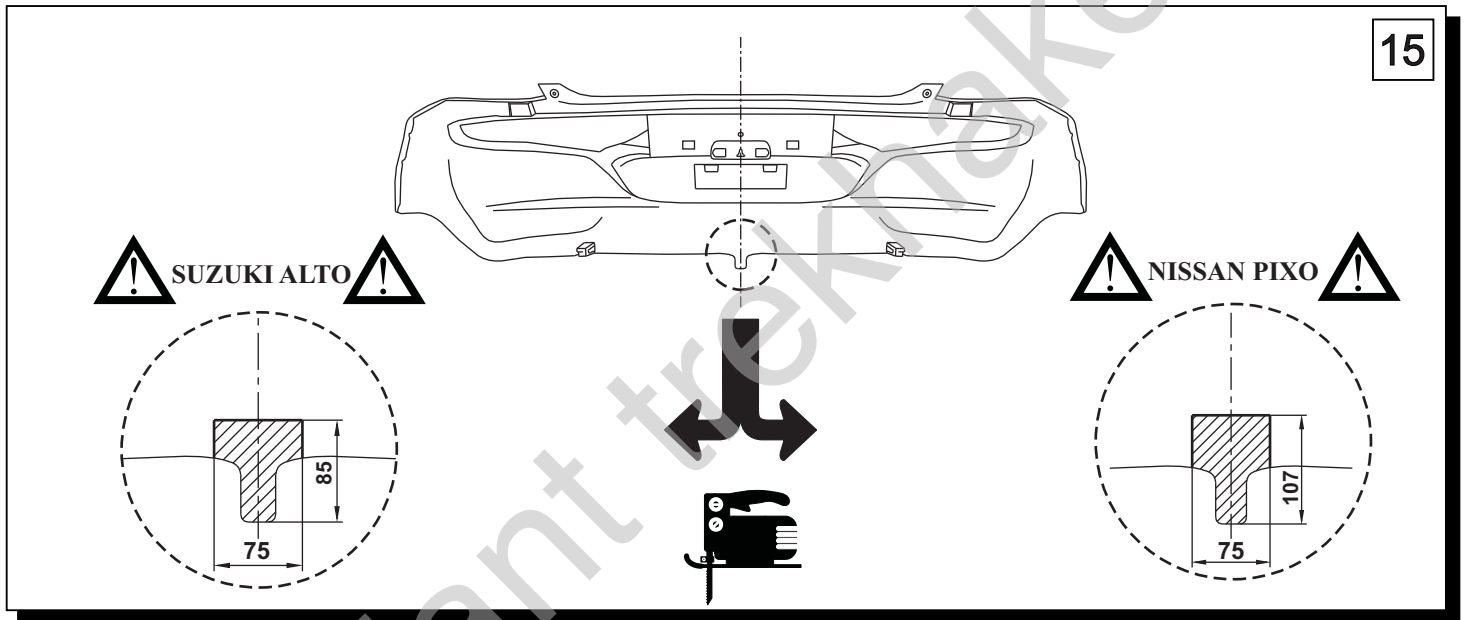
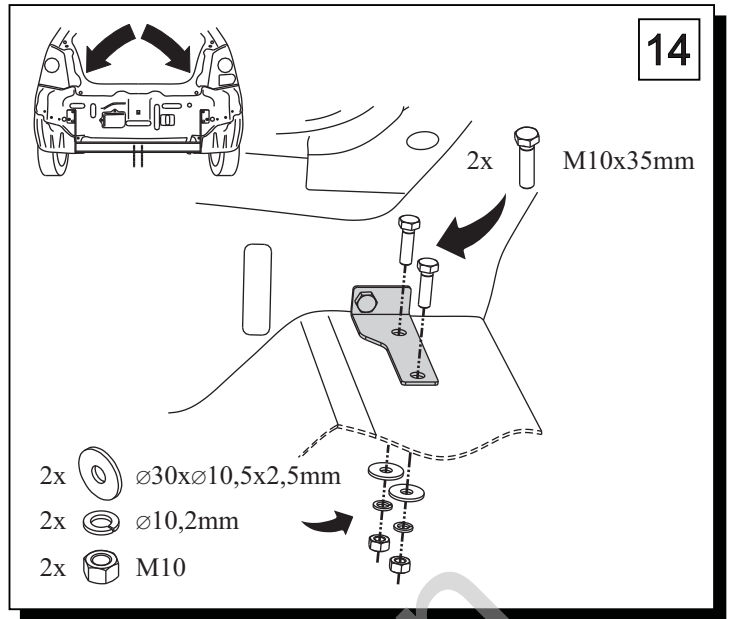
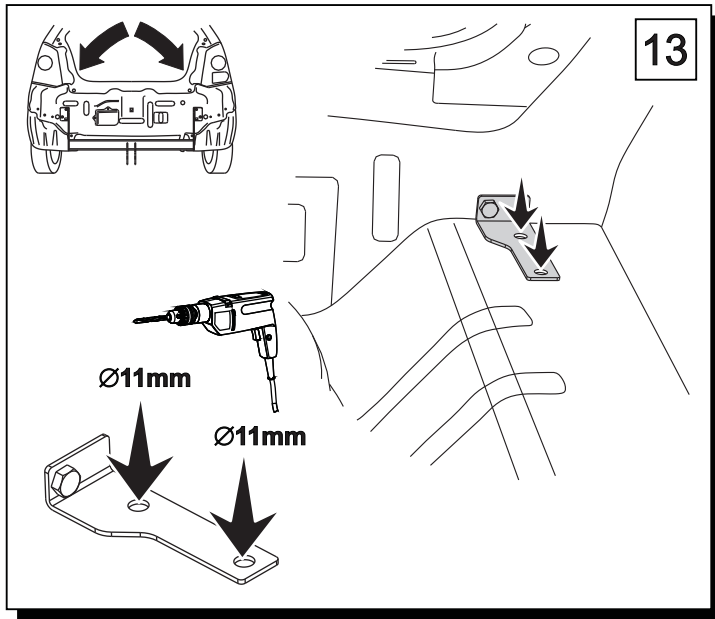
05



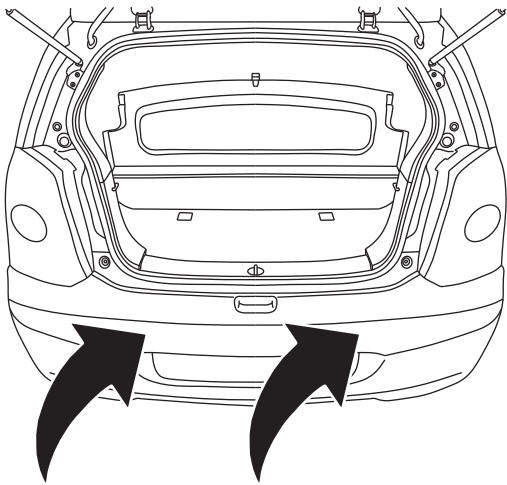
06



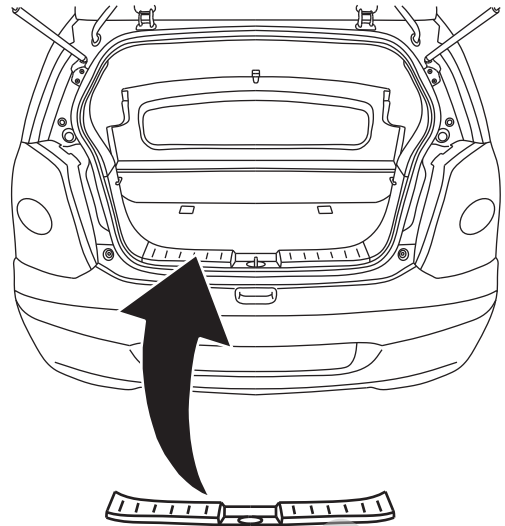




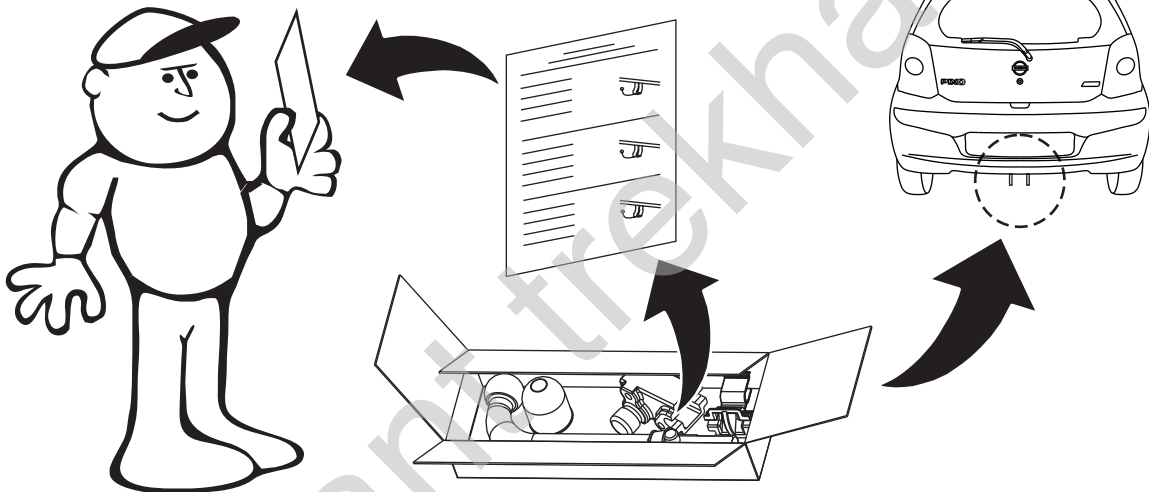
17



18



19



M6 - 11 Nm  
 M10 - 50 Nm  
 M14 - 138 Nm

M8 - 25 Nm  
 M12 - 87 Nm  
 M16 - 210 Nm



0 km



1000 km