

PPUH AUTO-HAK Sp.J.

Henryk & Zbigniew Nejman
ul. Słoneczna 16K 76-200 SŁUPSK
POLAND

tel/fax +48 059 8-414-414; 8-414-413

e-mail: office@autohak.com.pl

www.autohak.com.pl



AUTO-HAK



NISSAN X-TRAIL (T30)

Cat. no:

V59A



09.2001 → 03.2007

e20

e20 * 94 / 20 * 0198 * 00



2h

D

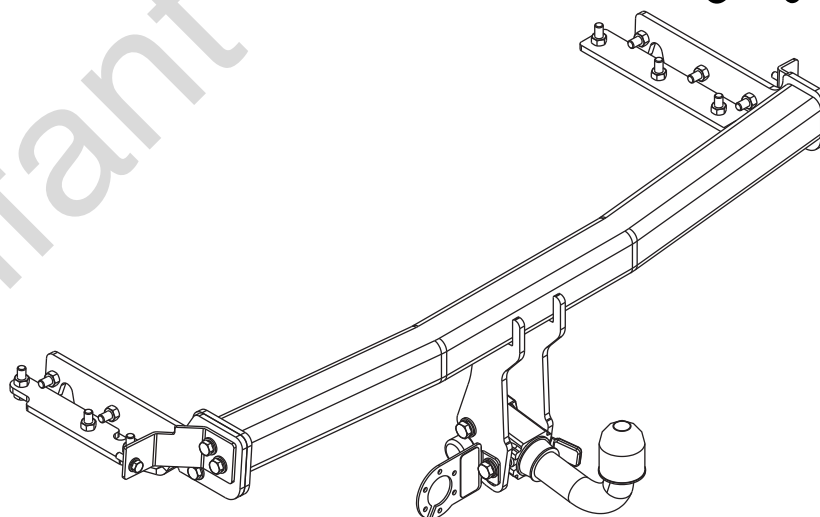
11,2 kN



R=2300 kg



S=100 kg



M6 - 11 Nm
M10 - 50 Nm
M14 - 138 Nm

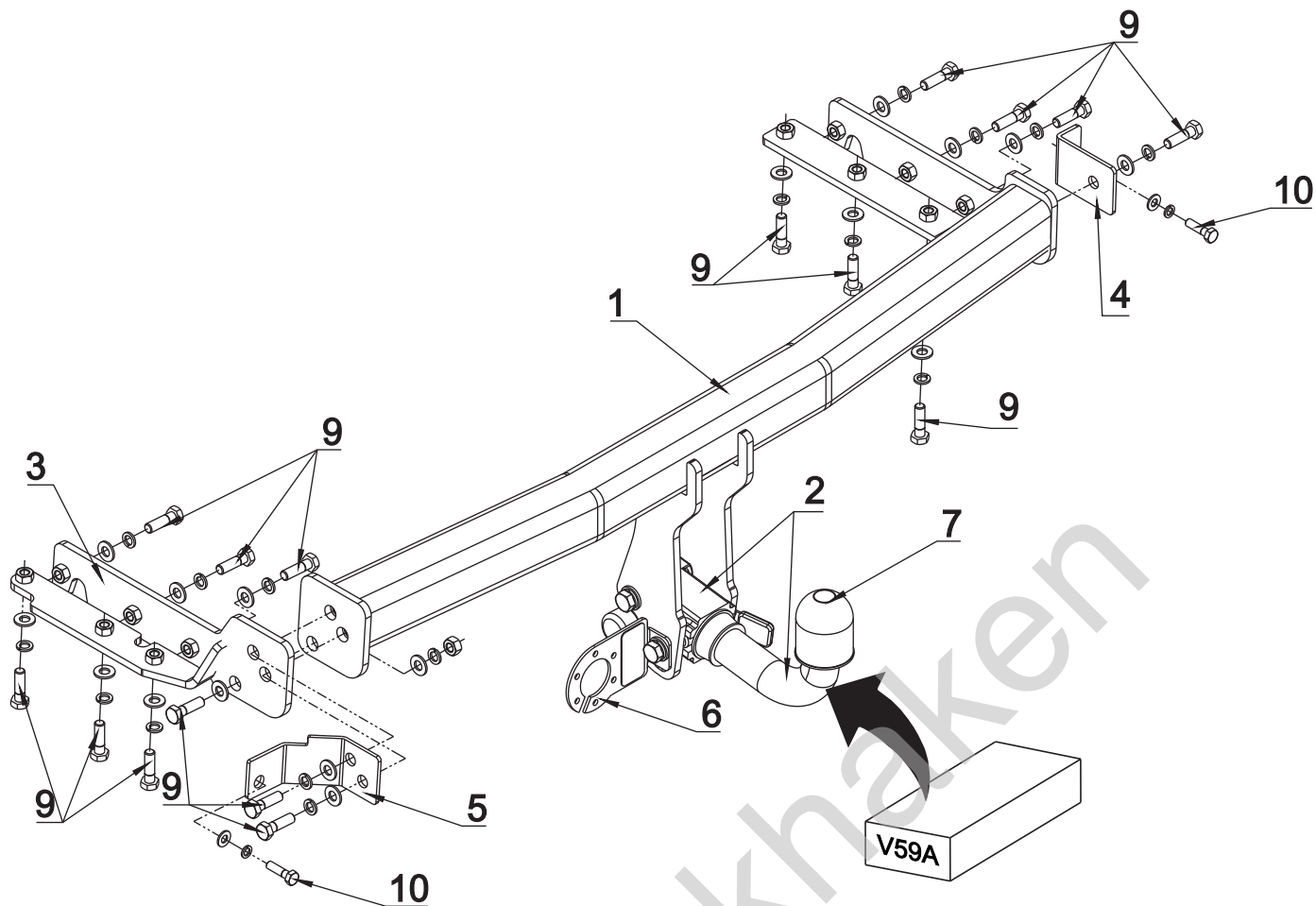
M8 - 25 Nm
M12 - 87 Nm
M16 - 210 Nm

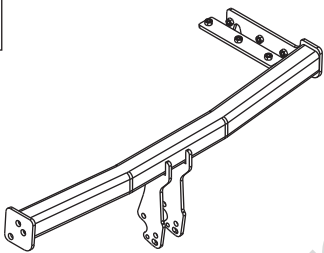

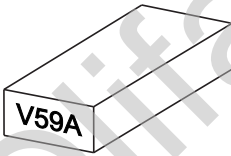

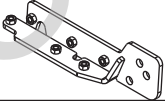

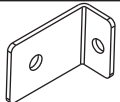

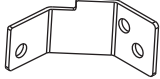

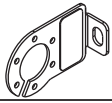
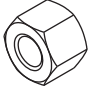



0 km →



1000 km



1		x 1		8	M 12x25	x 4
				9	M 10x35	x 16
2		x 1		10	M 8x30	x 2
				11	∅ 13	x 4
3		x 1		12	∅ 10,5	x 17
				13	∅ 8,5	x 2
4		x 1		14	∅ 12.2	x 4
				15	∅ 10,2	x 16
5		x 1		16	∅ 8,2	x 2
				17	M 10	x 1
6		x 1				
7		x 1				

Art.nr-KL1V59A

Art.nr-BL1V59A

