

PPUH AUTO-HAK Sp.J.

Henryk i Zbigniew Nejman
ul. Słoneczna 16K 76-200 SŁUPSK
POLAND

tel/fax +48 59 8 414 414; +48 59 8 414 413

e-mail: office@autohak.com.pl

www.autohak.com.pl



AUTO-HAK



NISSAN PRIMERA KOMBI (W12)

Cat. no:

V52A



03.2002 →

e20

e20 * 94 / 20 * 1069 * 00



2h

D

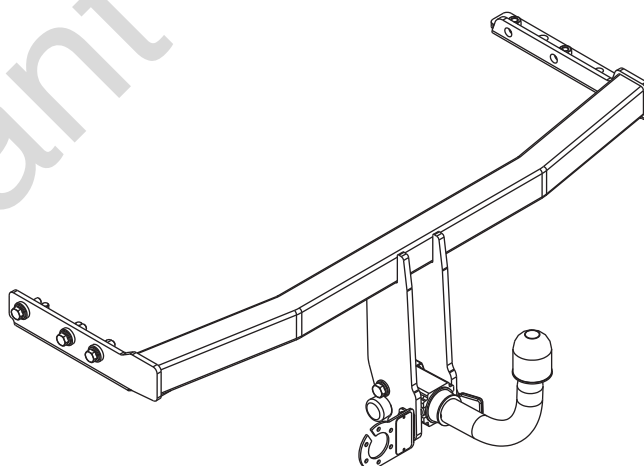
8,30 kN



R=1500 kg



S=75 kg



M6 - 11 Nm
M10 - 50 Nm
M14 - 138 Nm

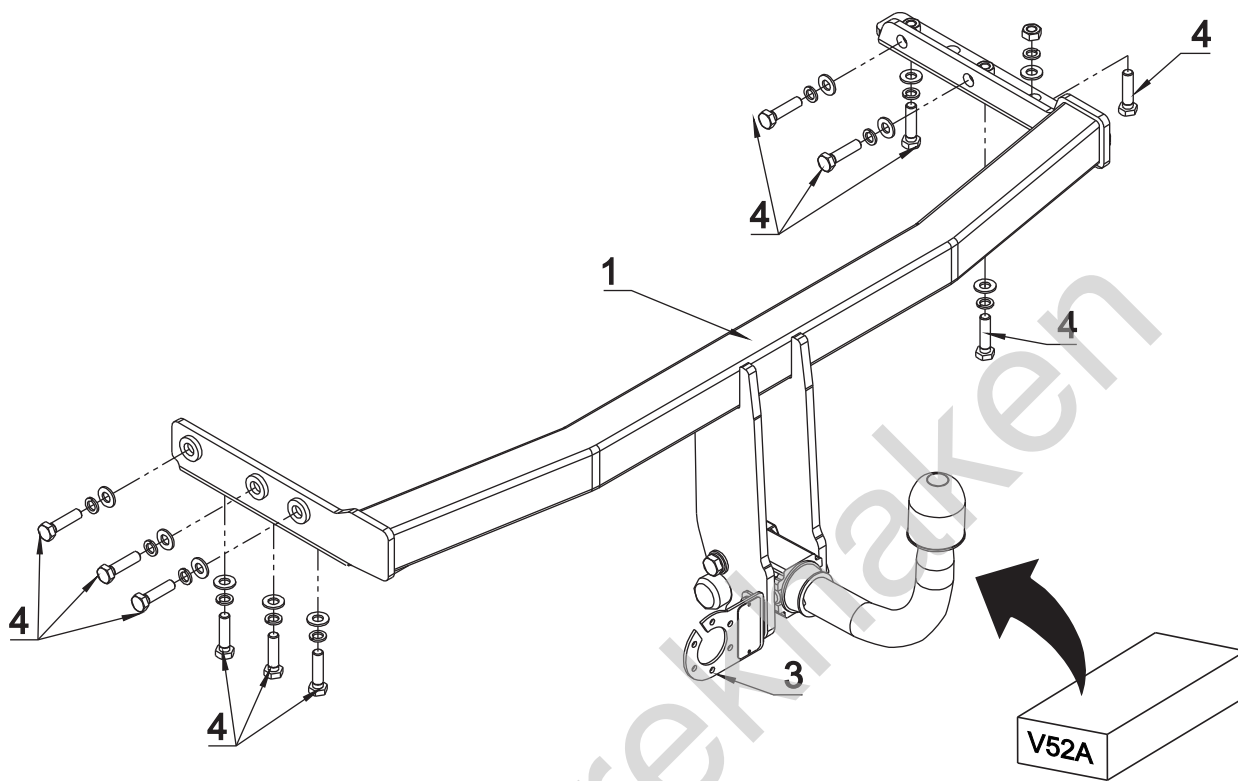
M8 - 25 Nm
M12 - 87 Nm
M16 - 210 Nm

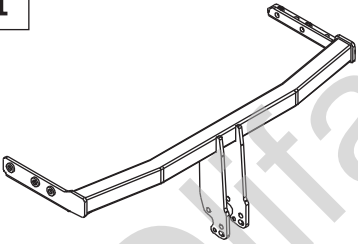
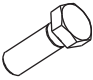
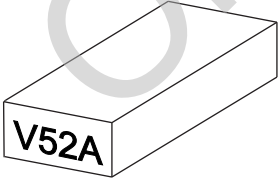

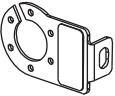




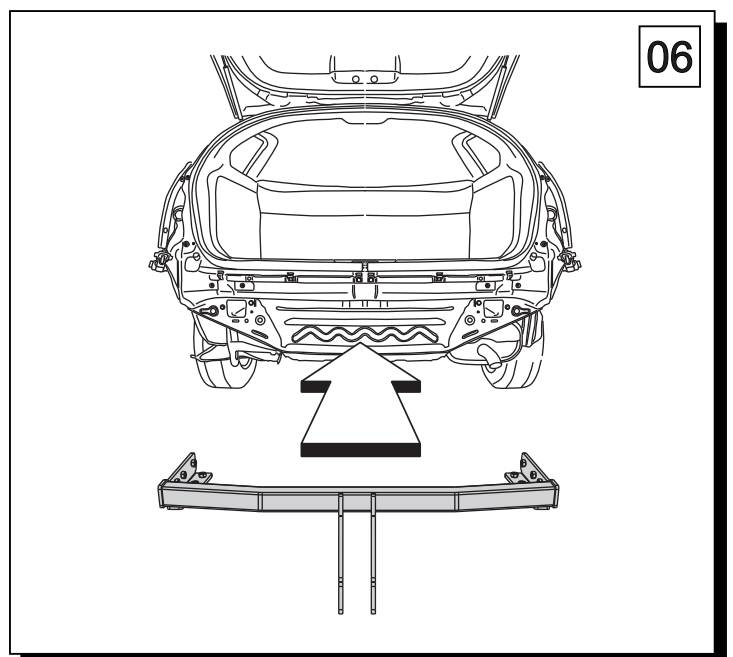
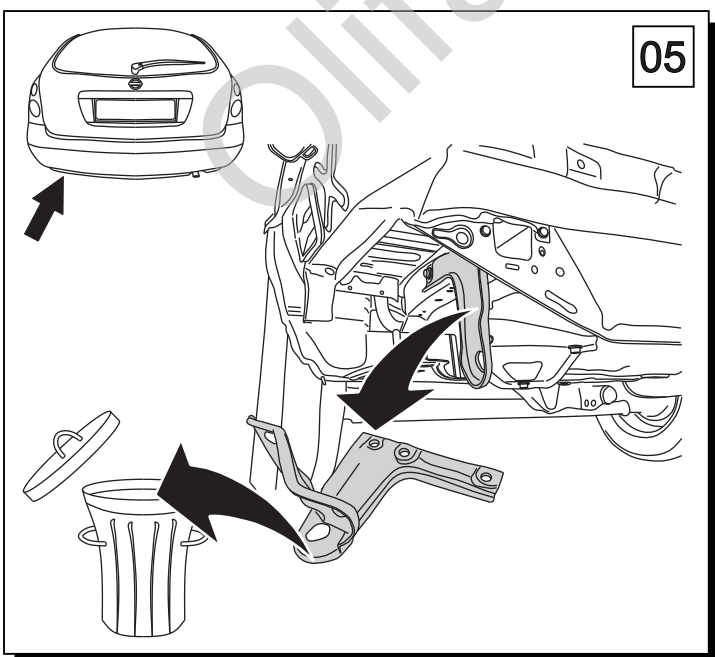
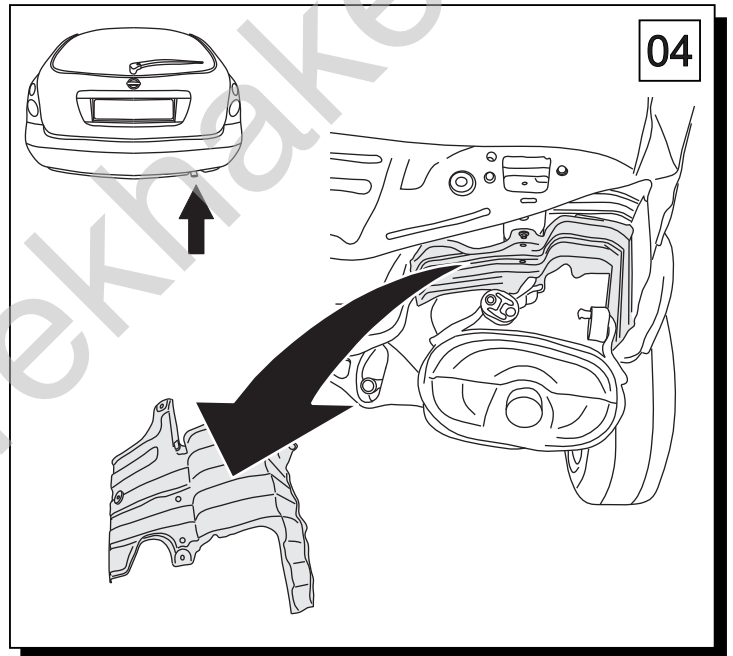
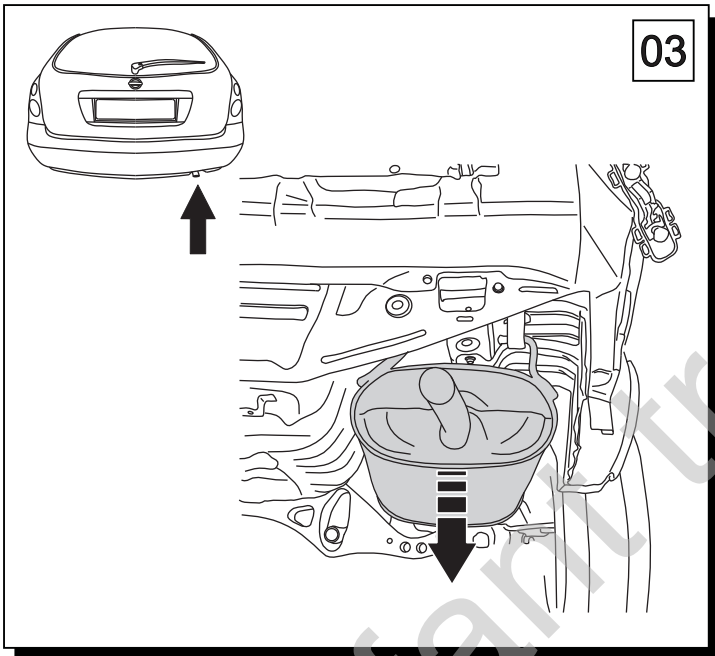
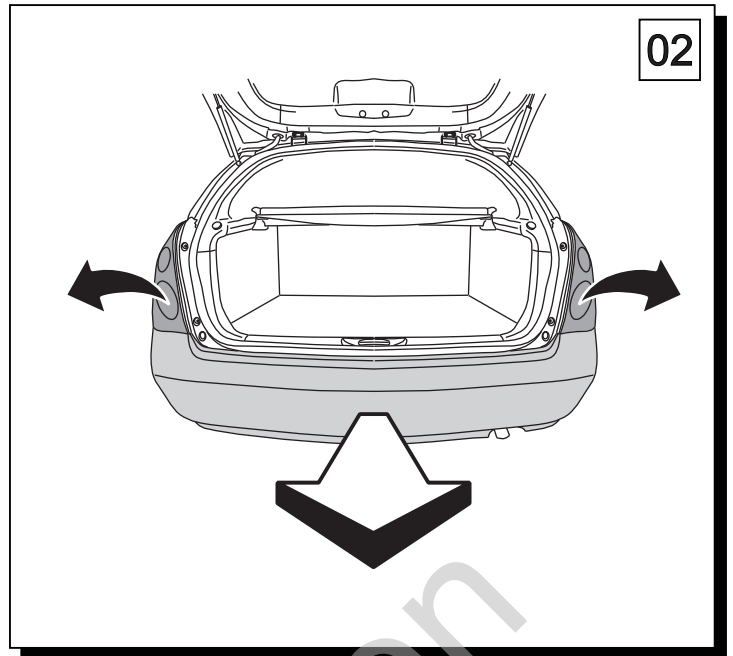
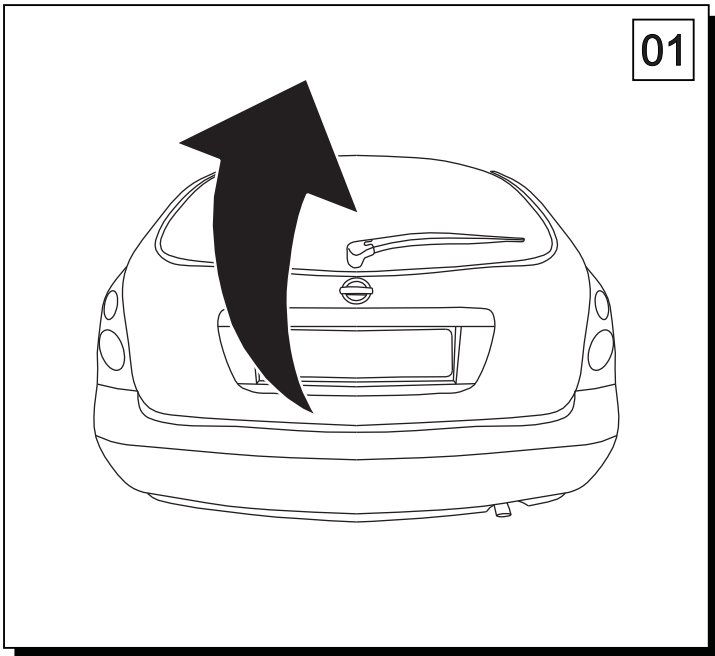
0 km →

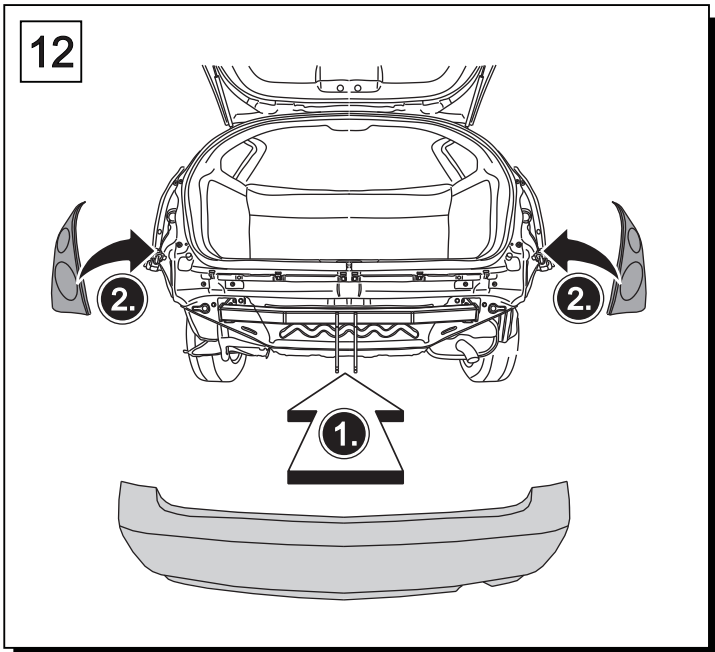
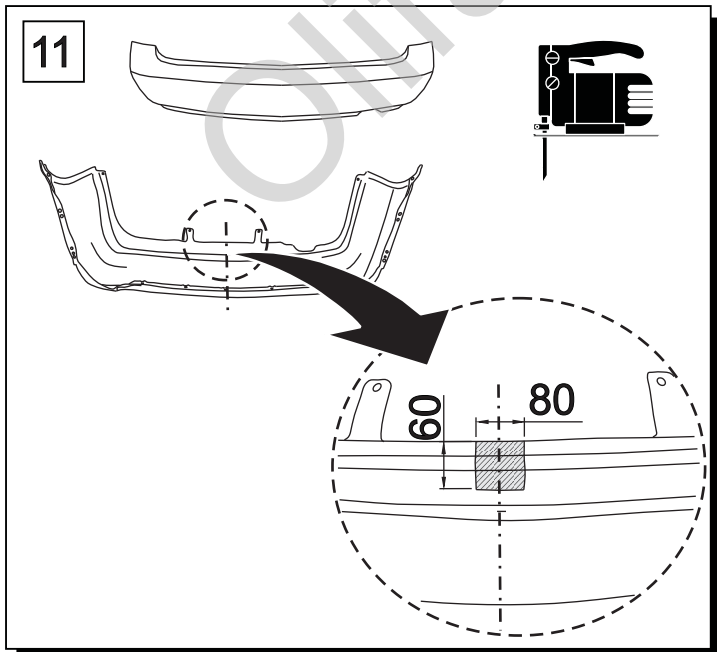
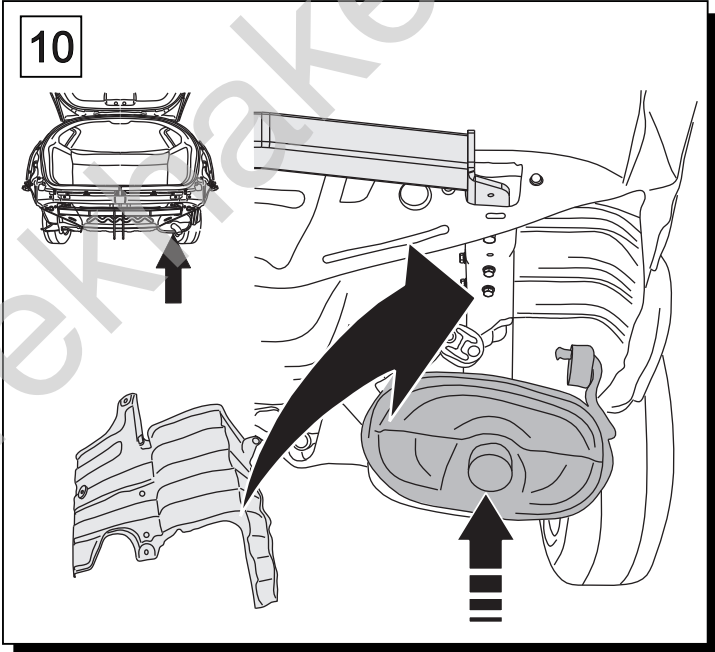
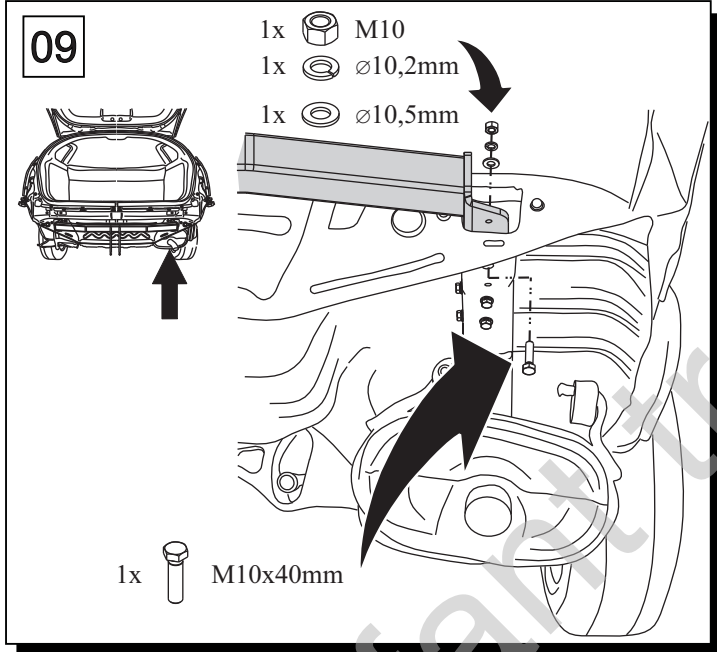
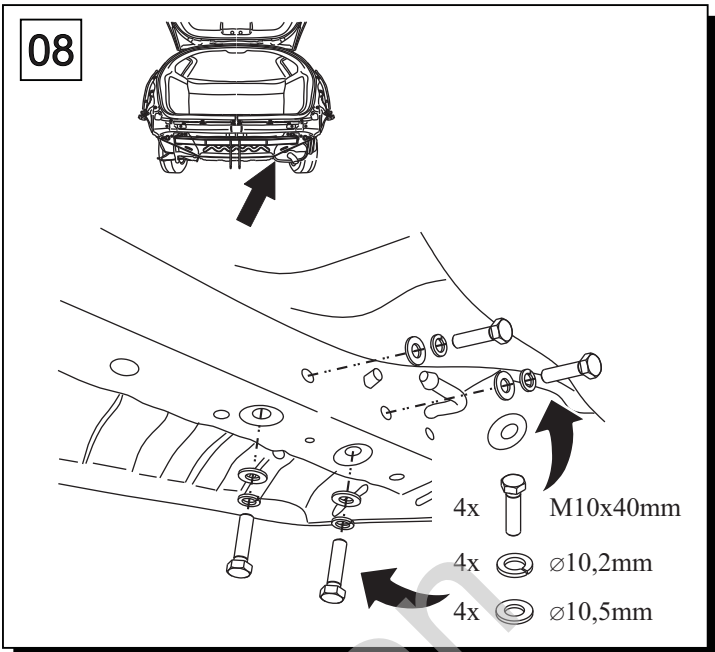
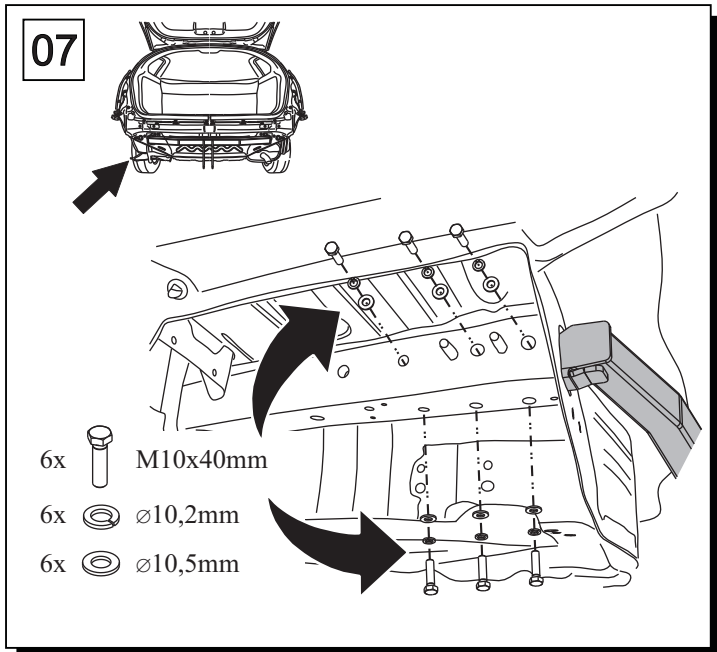


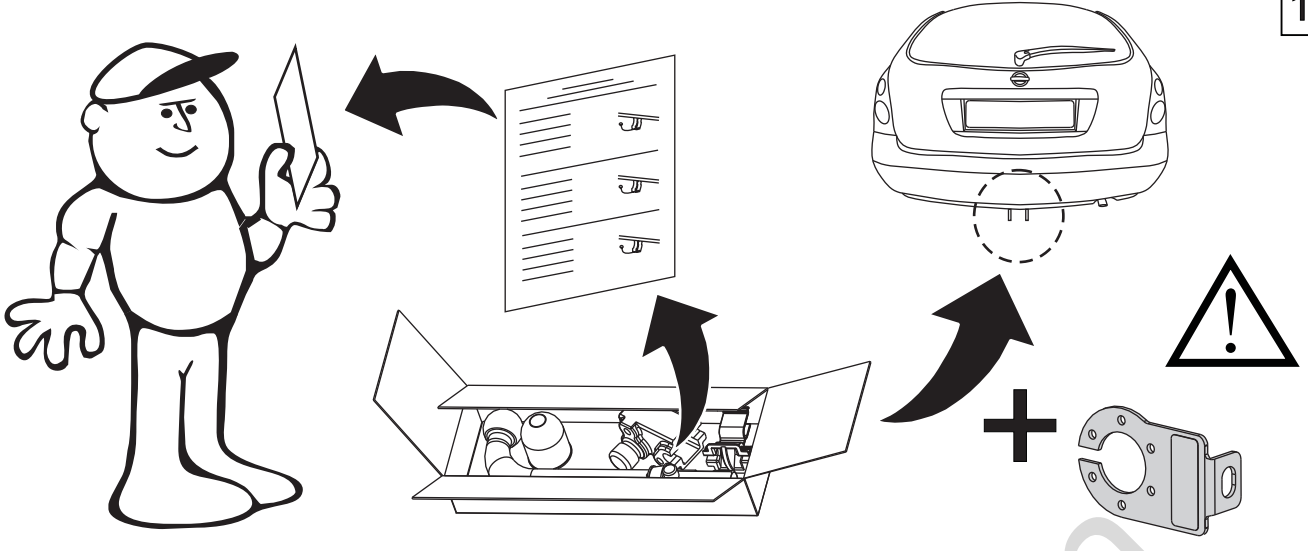
1000 km



| | | | | |
|---|--|---|-----------------------------|-------------|
| 1  | x1 |  | 4 M10x40 | x 11 |
| 2  | x1 Art.nr-Z100 Art.nr-KL1V52A |  | 5 \varnothing 10.5 | x 11 |
| 3  | x1 Art.nr-BL1V52A |  | 6 \varnothing 10.2 | x 11 |
| | |  | 7 M10 | x 1 |







Olifant trekhaken