

# AUTO-HAK Sp. z o.o.

ul. Słoneczna 16K 76-200 SŁUPSK  
POLAND

tel/fax +48 59 8 414 414; +48 59 8 414 413

e-mail: [office@autohak.com.pl](mailto:office@autohak.com.pl)

[www.autohak.com.pl](http://www.autohak.com.pl)



# AUTO-HAK

## KIA NIRO II

 01.2022 →

## KIA NIRO II EV

 05.2022 →

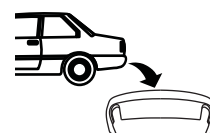

Nr kat.


T87

 E20\*55R02\*6626


  2h

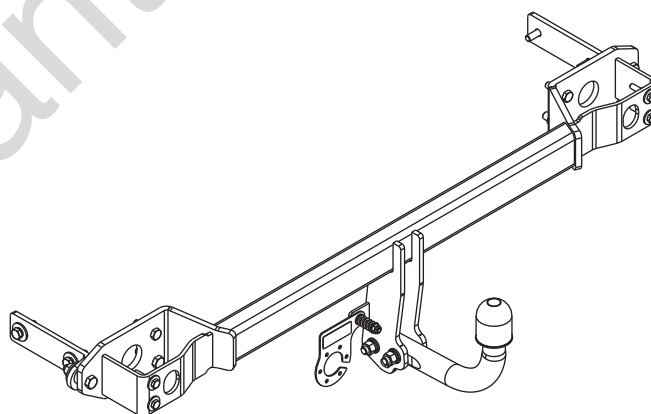
**D** 8,20 kN

 R=1350 kg

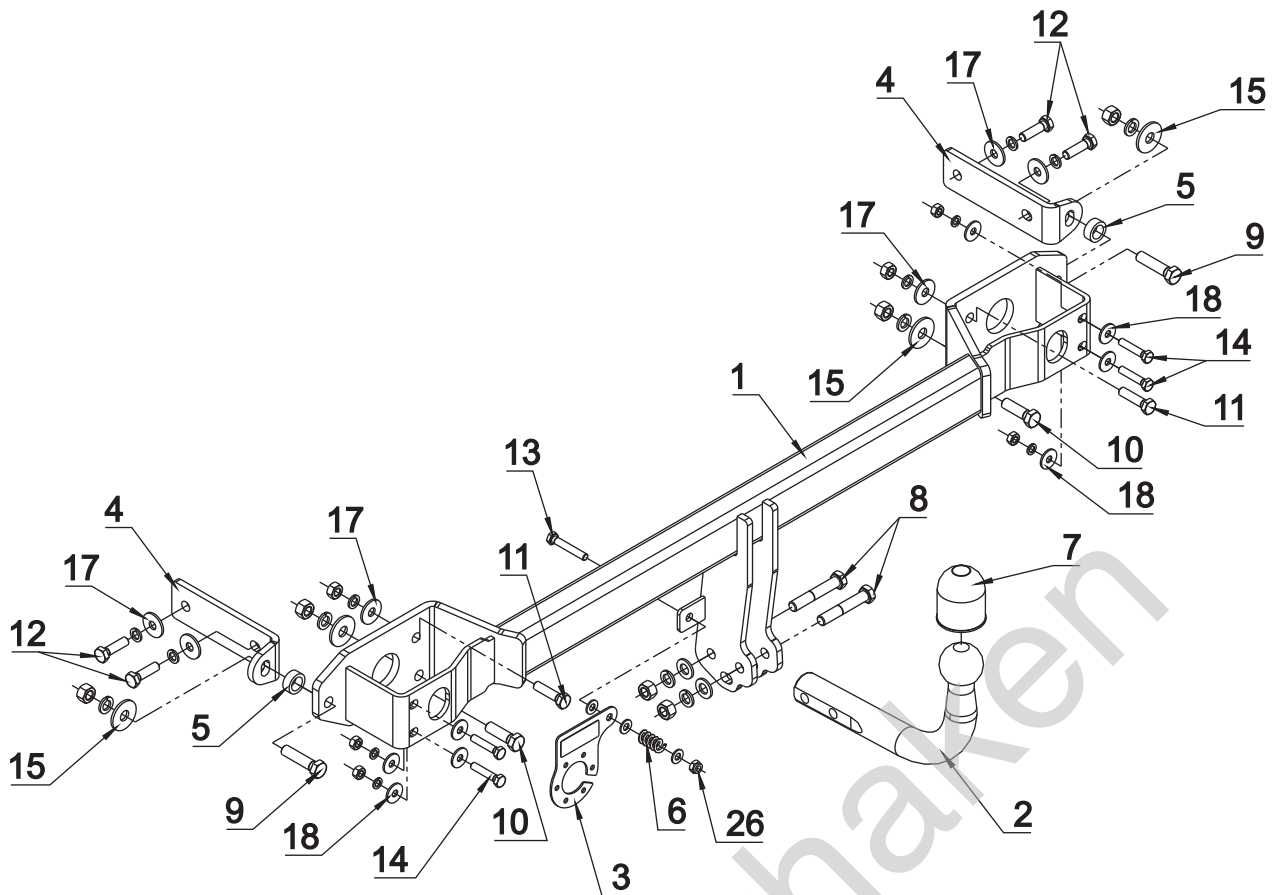


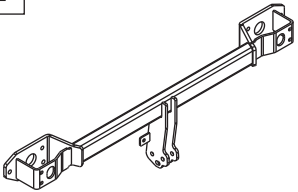

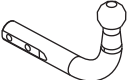


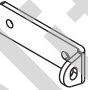






 S=100 kg

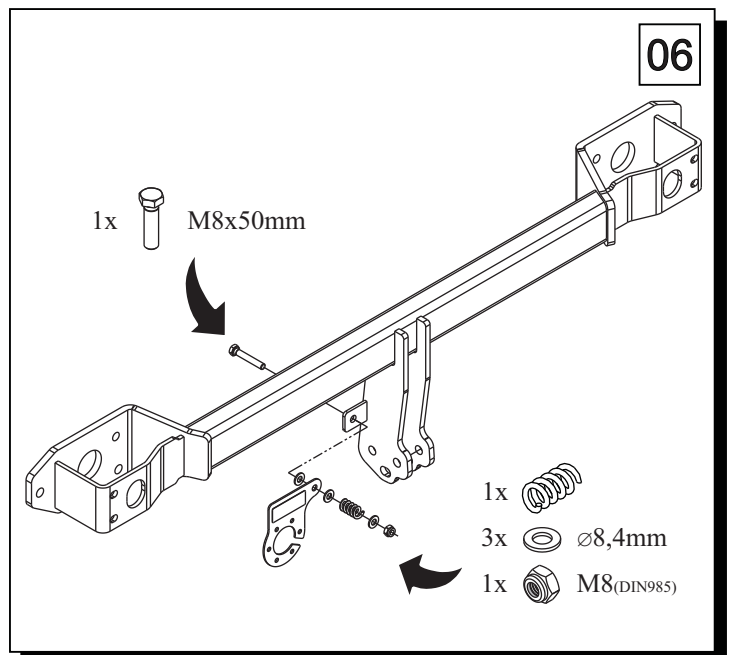
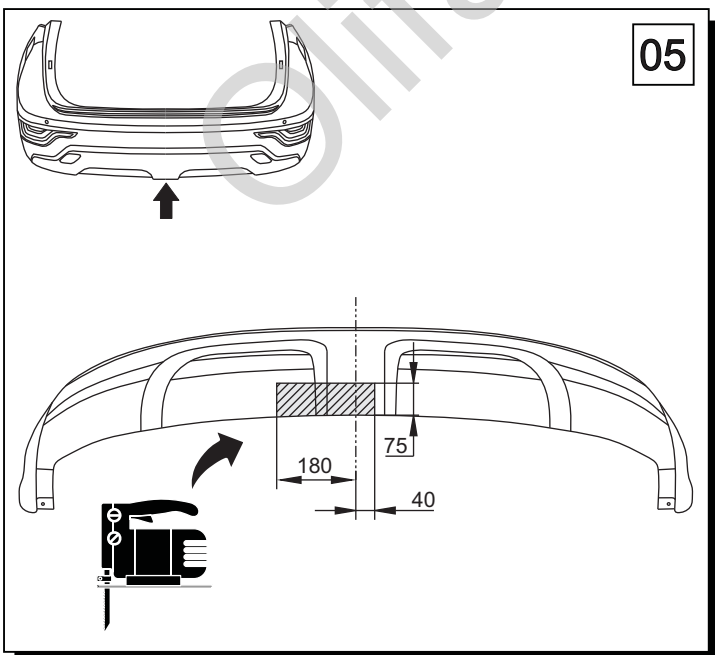
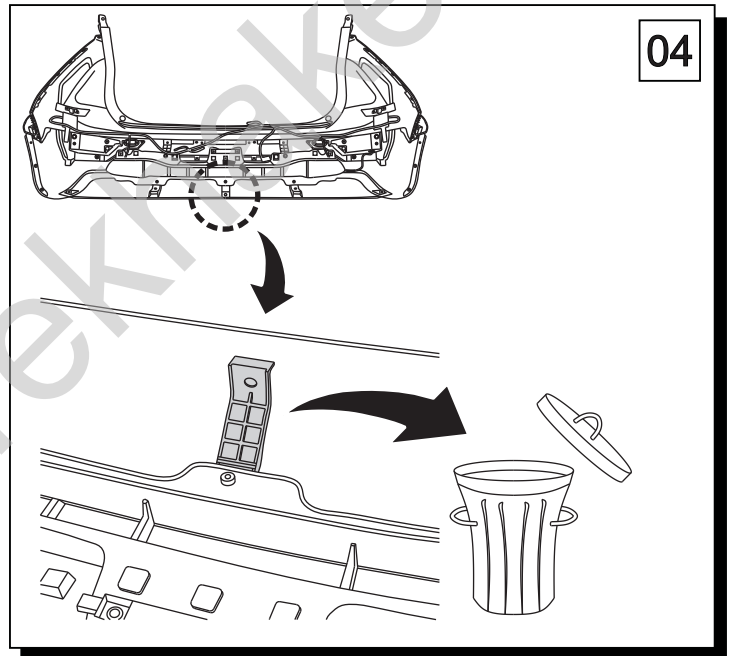
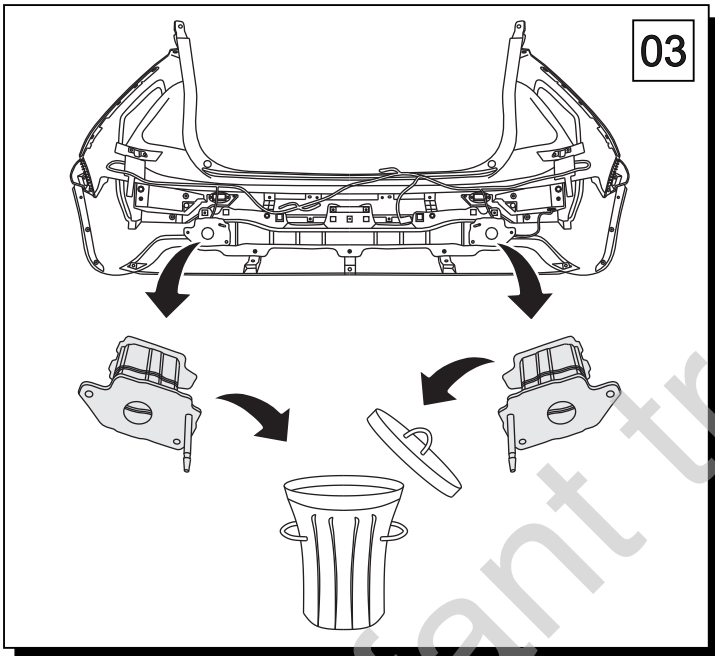
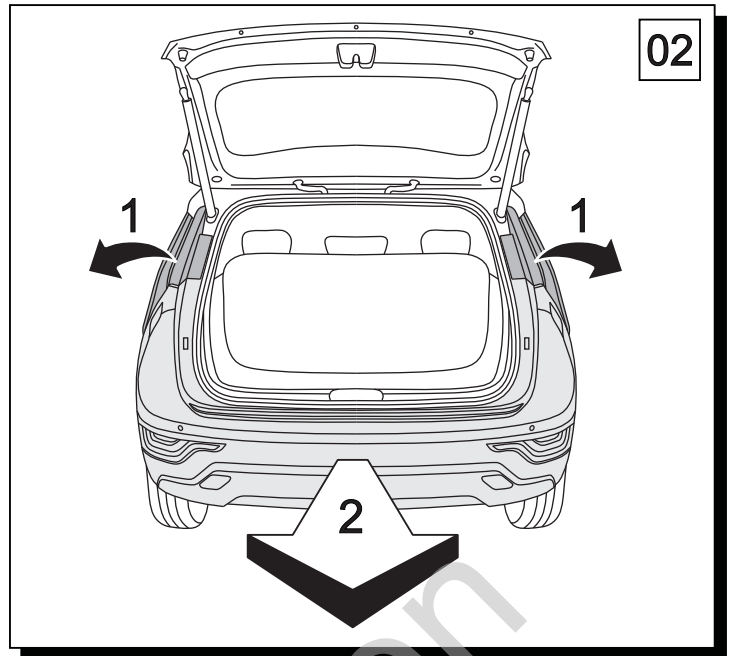
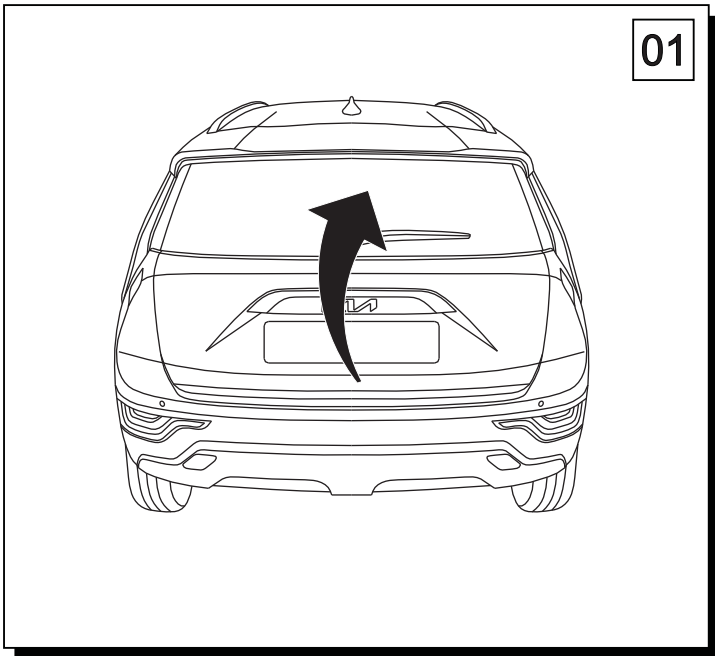


śruba	Nm	M6	M8	M10	M12	M14	M16
klasa 8.8		9,9	24	48	83	132	200
klasa 10.9		14	34	67	117	185	285

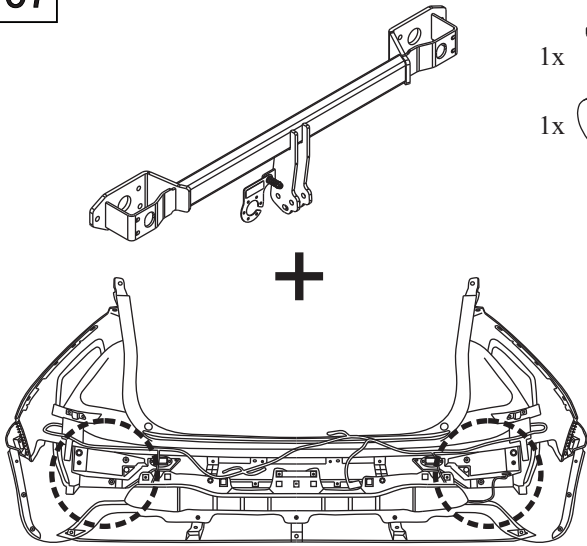
 0 km →  1000 km



1		x1		8 M12x70	x2
2	 Art.nr-KL1T87	x1		9 M12x50	x2
3	 Art.nr-BL12T87	x1		10 M12x40	x2
4		x2		11 M10x40	x2
5	 ø25x4mm L=10mm	x2		12 M10x1.25x35	x4
6		x1		13 M8x50	x1
7		x1		14 M8x40	x4
				15 ø 37xø13x3 13 DIN 9021	4
				16 ø 13	x2
				17 ø 30xø10.5x2.5 10 DIN 9021	6
				18 ø 24xø8.4x2 8 DIN 9021	8
				19 ø 8.5	x3
				20 ø 12.2	x6
				21 ø 10.2	x6
				22 ø 8.2	x4
				23 M12	x6
				24 M10	x2
				25 M8	x4
				26 M8 (DIN985)	x1

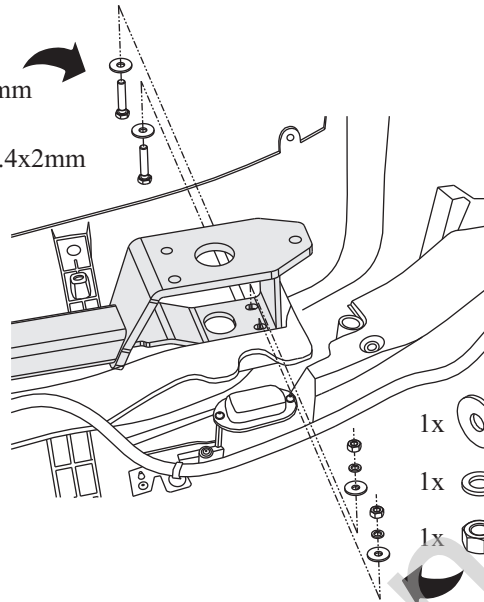


07



1x M8x40mm

1x  $\varnothing 24 \times 8.4 \times 2 \text{mm}$

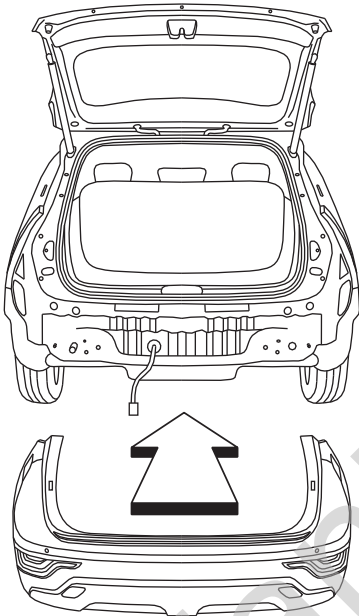


1x  $\varnothing 24 \times 8.4 \times 2 \text{mm}$

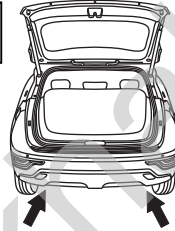
1x  $\varnothing 8,2 \text{mm}$

1x M8

08



09



1x  $\varnothing 37 \times 13 \times 3 \text{mm}$

1x  $\varnothing 12,2 \text{mm}$

1x M12

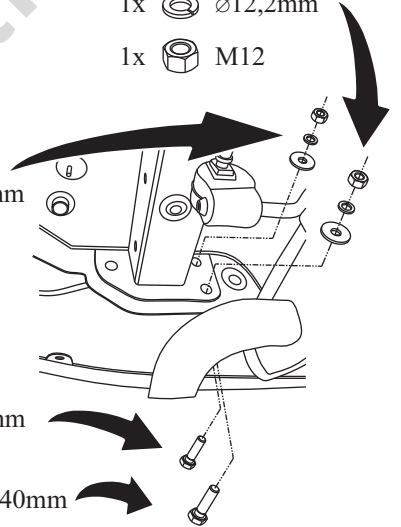
1x  $\varnothing 30 \times 10.5 \times 2.5 \text{mm}$

1x  $\varnothing 10,2 \text{mm}$

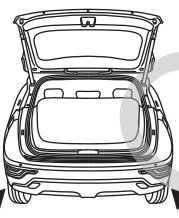
1x M10

1x M10x40mm

1x M12x40mm



10



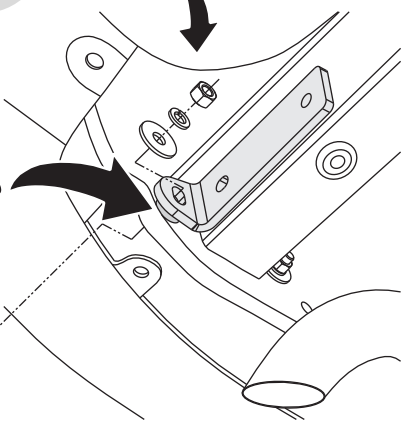
1x  $\varnothing 37 \times 13 \times 3 \text{mm}$

1x  $\varnothing 12,2 \text{mm}$

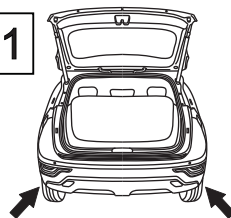
1x M12

$\varnothing 25 \times 4 \text{mm L} = 10 \text{mm}$

1x M12x50mm



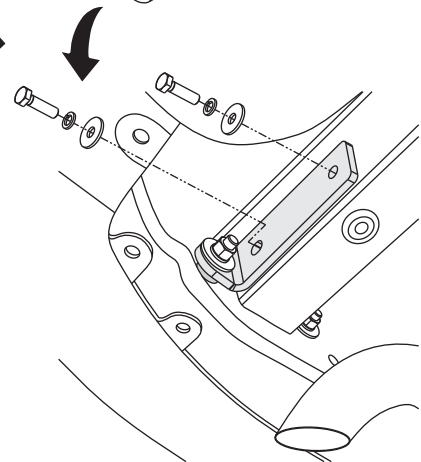
11

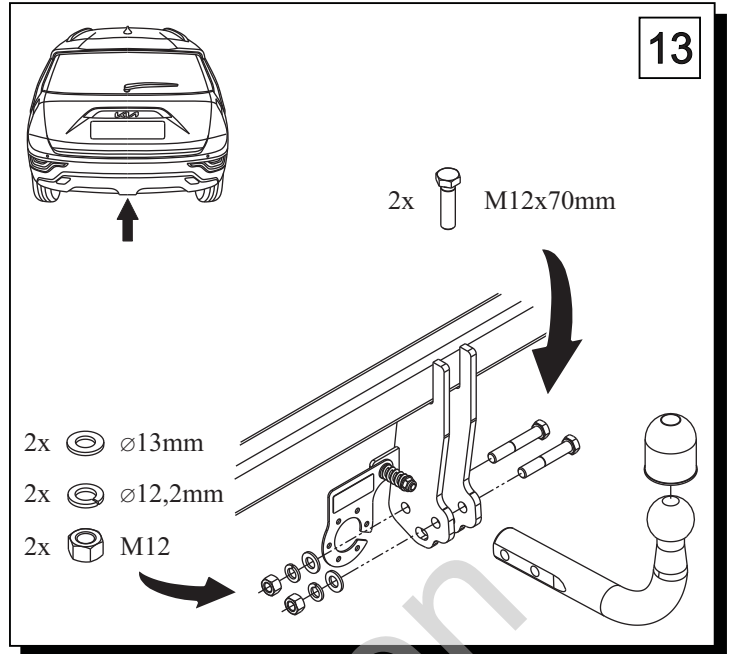
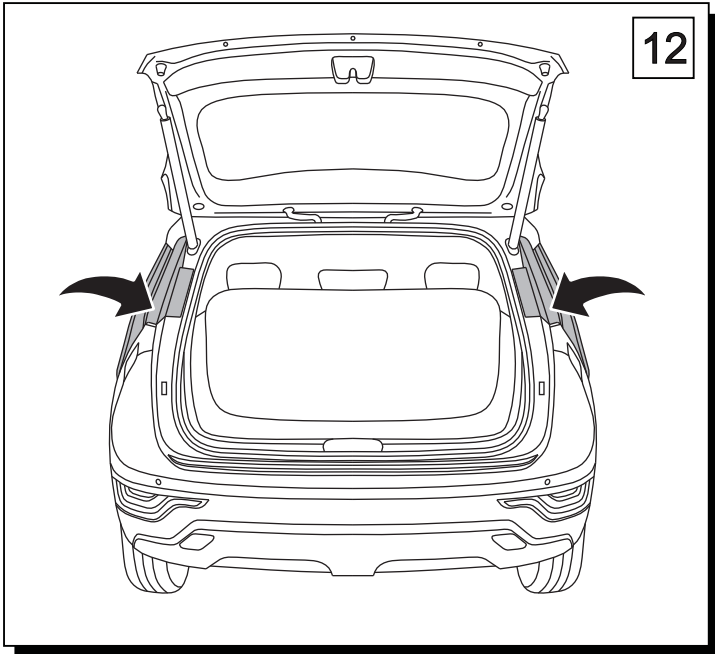


2x M10x1.25x35mm

2x  $\varnothing 10,2 \text{mm}$

2x  $\varnothing 30 \times 10.5 \times 2.5 \text{mm}$





Olifant trekhaken