

KIA EV6

A/R, EARTH, GT-LINE, ~~GT~~

Nr kat.

T86A



08.2021 →



E20*55R02*6416



2h

D

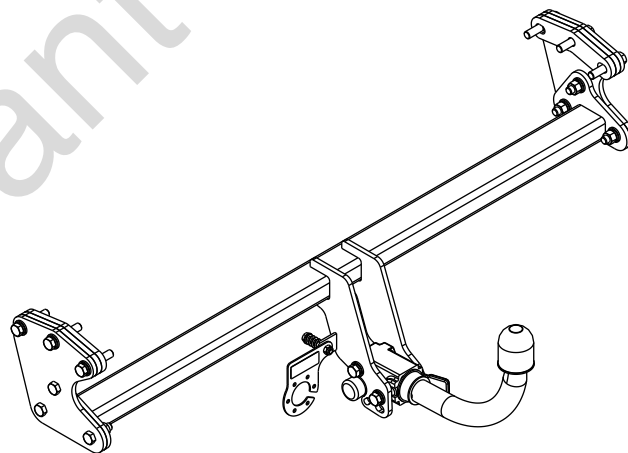
10,0 kN



R=1600 kg



S=115 kg



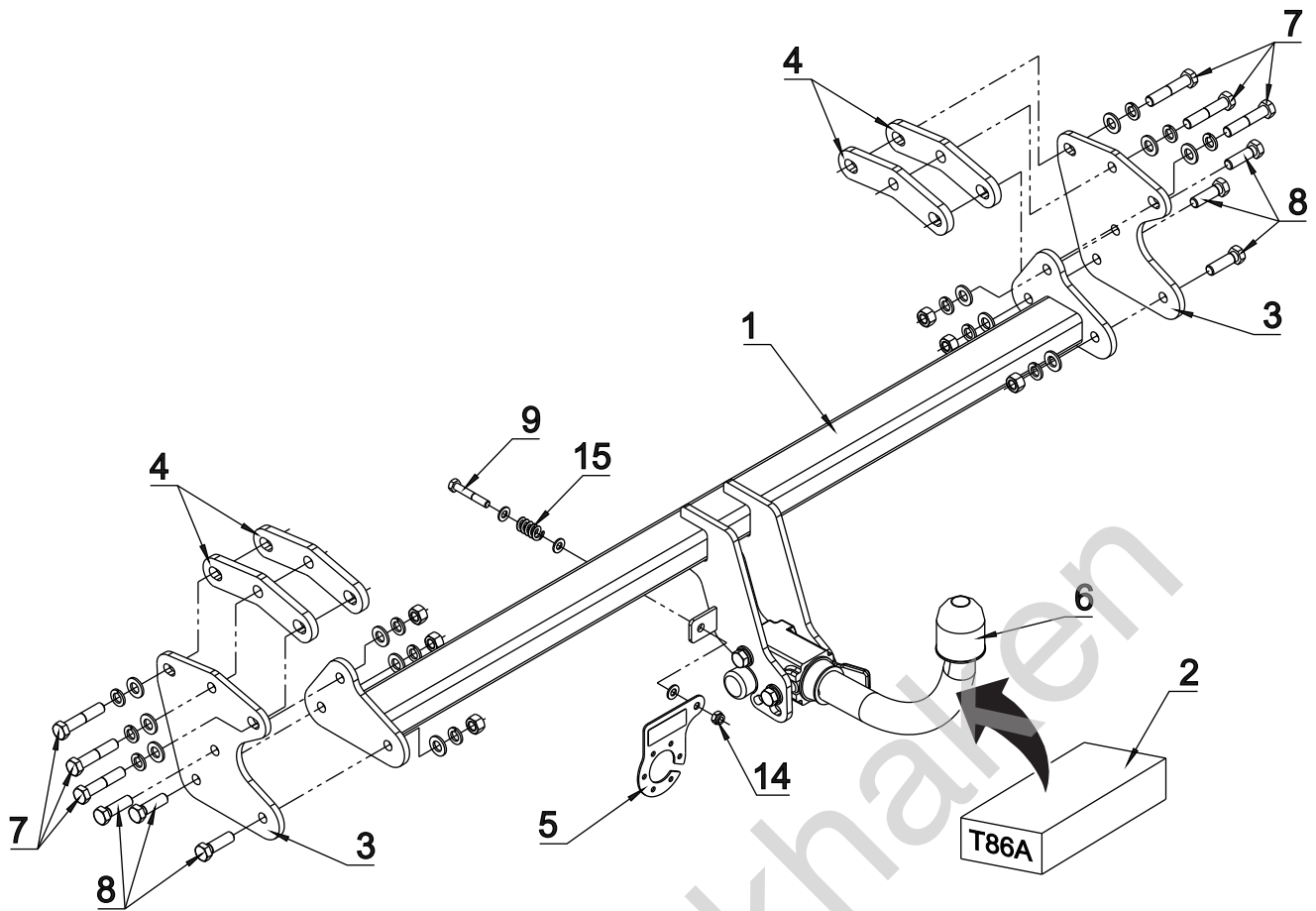
šruba	Nm	M6	M8	M10	M12	M14	M16
klasa 8.8		9,9	24	48	83	132	200
klasa 10.9		14	34	67	117	185	285

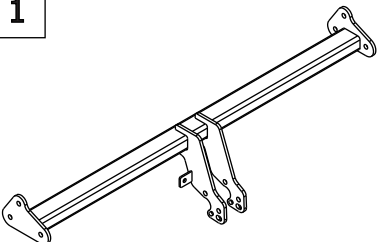

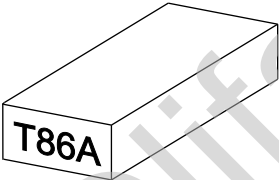



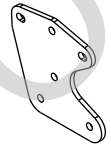
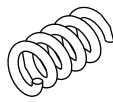
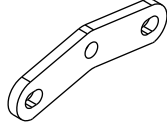
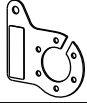
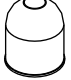


0 km →



1000 km



	x1		7	M12x1,25x60	x6	
			8	M12x40	x6	
			9	M8x50	x1	
			10	∅ 13	x12	
			11	∅ 8.4	x3	
 Art.nr-KL1T86A	x1		12	∅ 12.2	x12	
				13	M12	x6
					14	M 8 (DIN985)
	x2					
	x4		15		x1	
	x1	Art.nr-BL12T86A				
	x1					

