

AUTO-HAK Sp. z o.o.

ul. Słoneczna 16K 76-200 SŁUPSK
POLAND

tel/fax +48 59 8 414 414; +48 59 8 414 413

e-mail: office@autohak.com.pl

www.autohak.com.pl



AUTO-HAK

KIA SORENTO (+facelift) MQ4 MY, +Hybrid

Nr kat.

T84A



09.2020 → 2024
2024 →



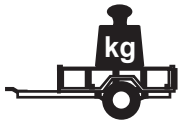
E20-55R-02 6097



2h



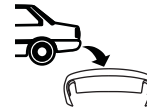
13,0 kN



R=2500 kg

09.2020 → 2024

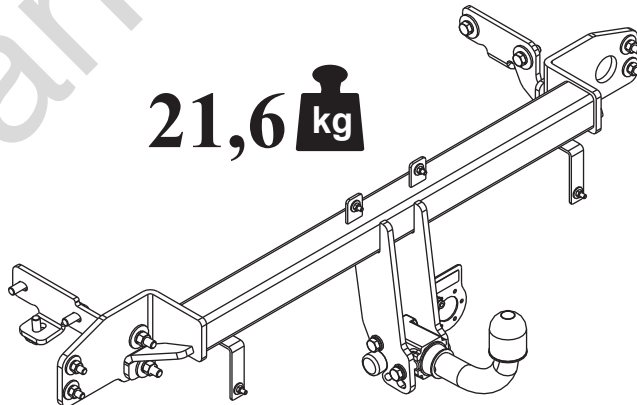
2024 →



S=100 kg



21,6 kg



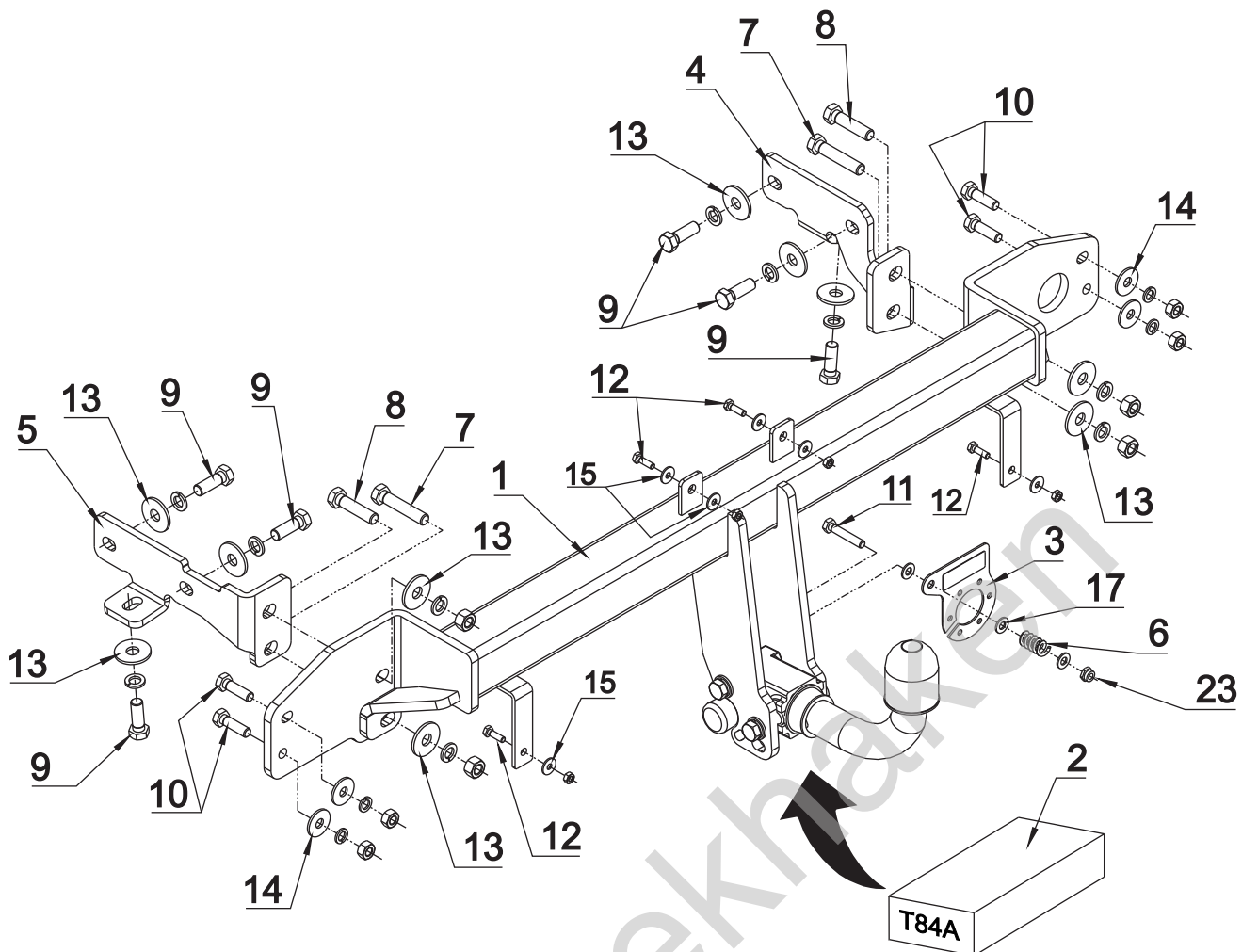
śruba	Nm	M6	M8	M10	M12	M14	M16
klasa 8.8		9,9	24	48	83	132	200
klasa 10.9		14	34	67	117	185	285

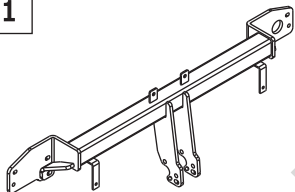

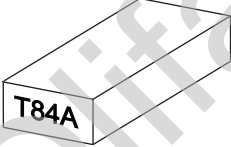



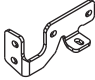

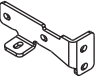

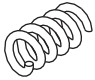




0 km

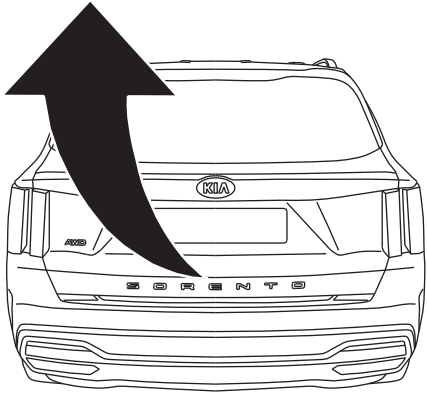


1000 km

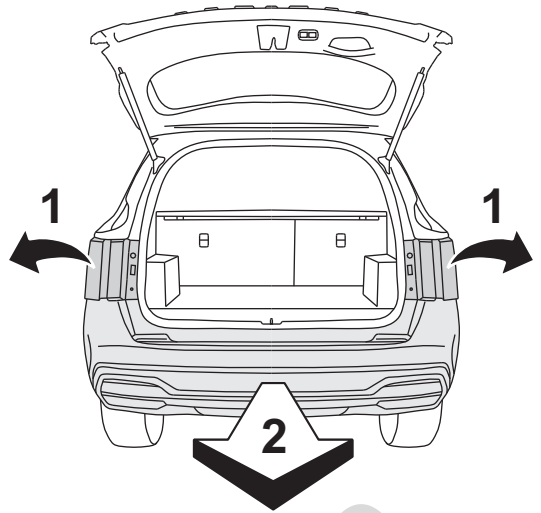


	x1		7	M12x60	x2
			8	M12x50	x2
			9	M12x1.25x35	x6
			10	M10x35	x4
	x1		11	M8x45	x1
			12	M6x20	x4
	x1		13	\varnothing 37x \varnothing 13x3 13 (DIN 9021)	x10
			14	\varnothing 30x \varnothing 10.5x2.5 10 (DIN 9021)	x4
	x1		15	\varnothing 18x \varnothing 6.4x1.6 6 (DIN 9021)	x6
			16	\varnothing 13	x2
	x1		17	\varnothing 8.4	x3
			18	\varnothing 12.2	x12
	x1		19	\varnothing 10.2	x4
			20	M12	x6
			21	M10	x4
			22	M6	x4
			23	M8 (DIN985)	x1

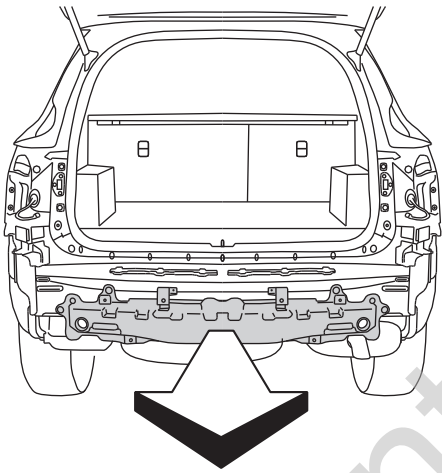
01



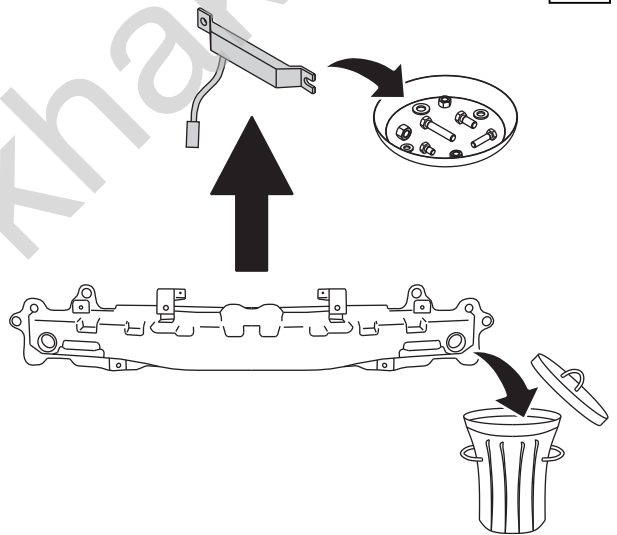
02



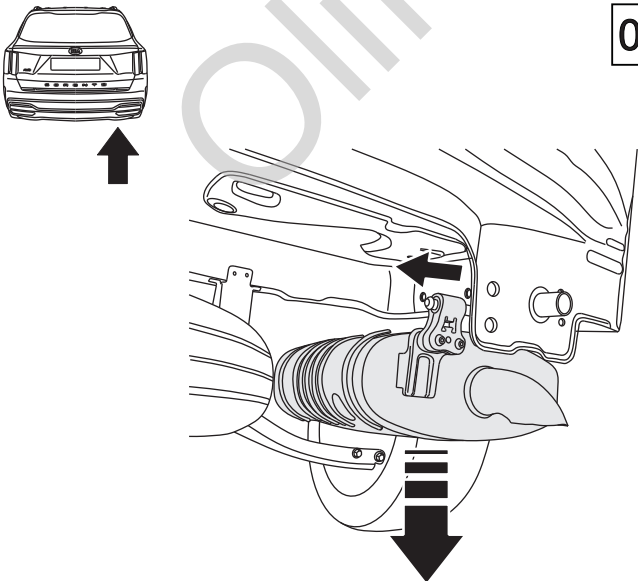
03



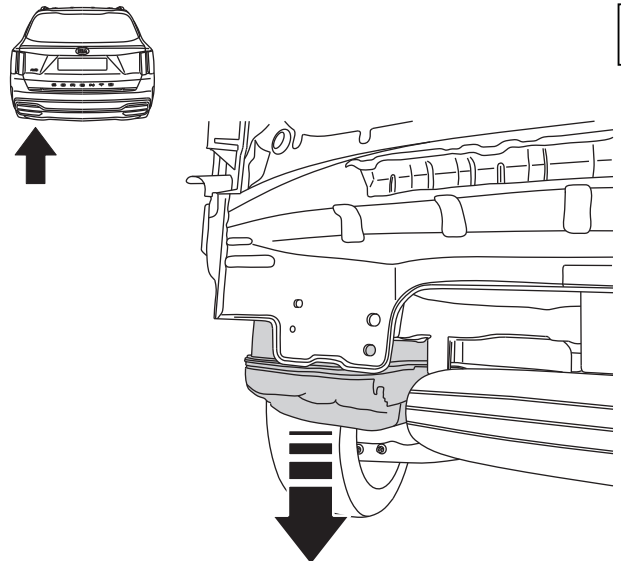
04



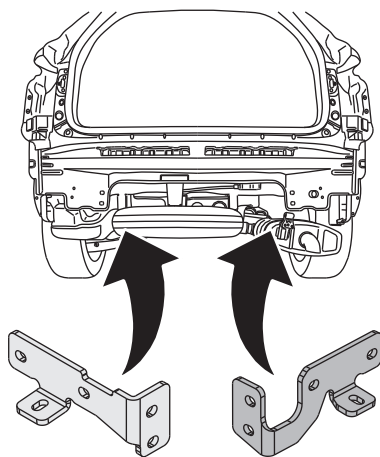
05






06

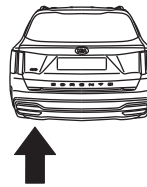





07

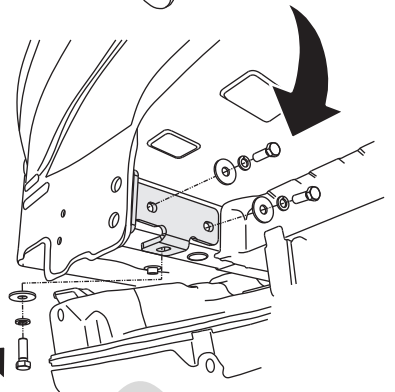


08




- 2x  M12x1,25x35mm
- 2x  $\varnothing 12,2\text{mm}$
- 2x  $\varnothing 37 \times 13 \times 3\text{mm}$

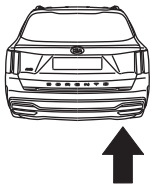





- 1x  M12x1,25x35mm
- 1x  $\varnothing 12,2\text{mm}$
- 1x  $\varnothing 37 \times 13 \times 3\text{mm}$

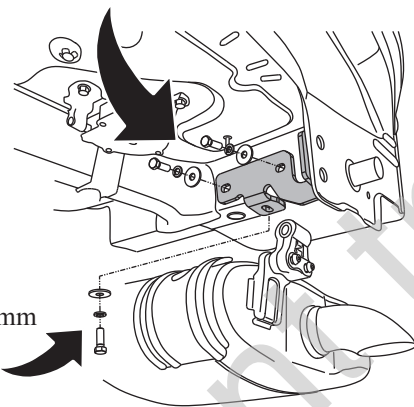


09

- 2x  M12x1,25x35mm
- 2x  $\varnothing 12,2\text{mm}$
- 2x  $\varnothing 37 \times 13 \times 3\text{mm}$

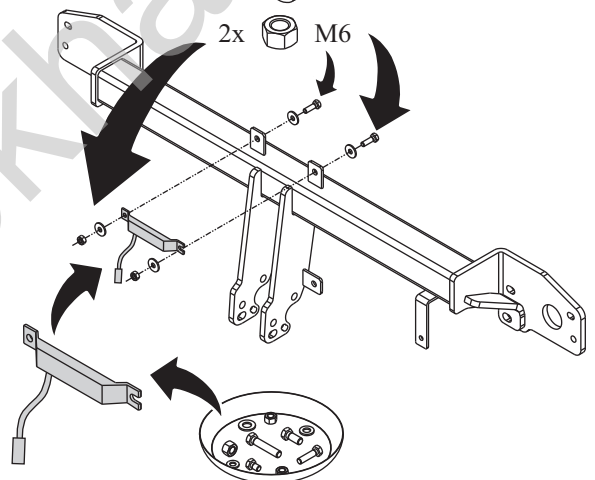


- 1x  M12x1,25x35mm
- 1x  $\varnothing 12,2\text{mm}$
- 1x  $\varnothing 37 \times 13 \times 3\text{mm}$




10

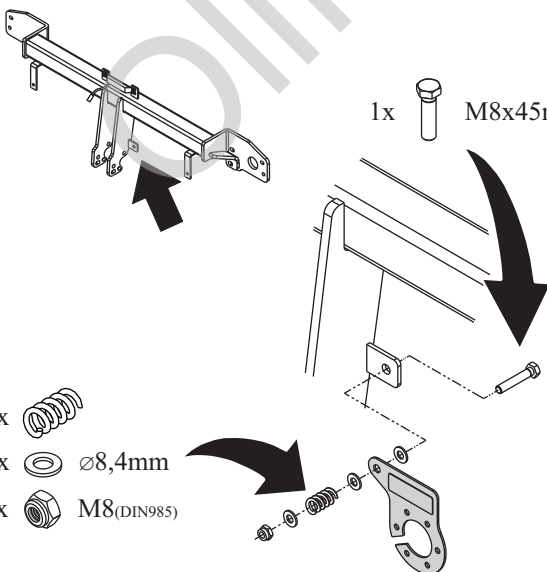
- 2x  M6x20mm
- 4x  $\varnothing 18 \times 6,4 \times 1,6\text{mm}$
- 2x  M6



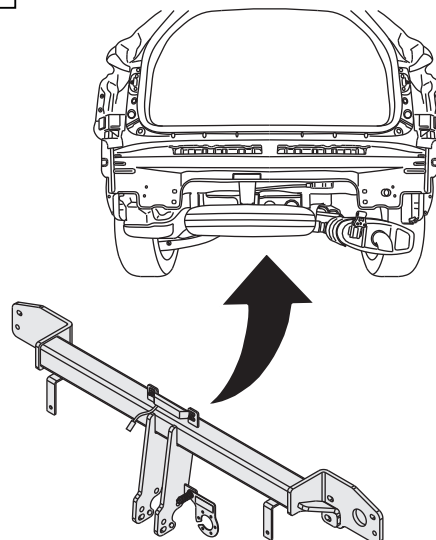
11

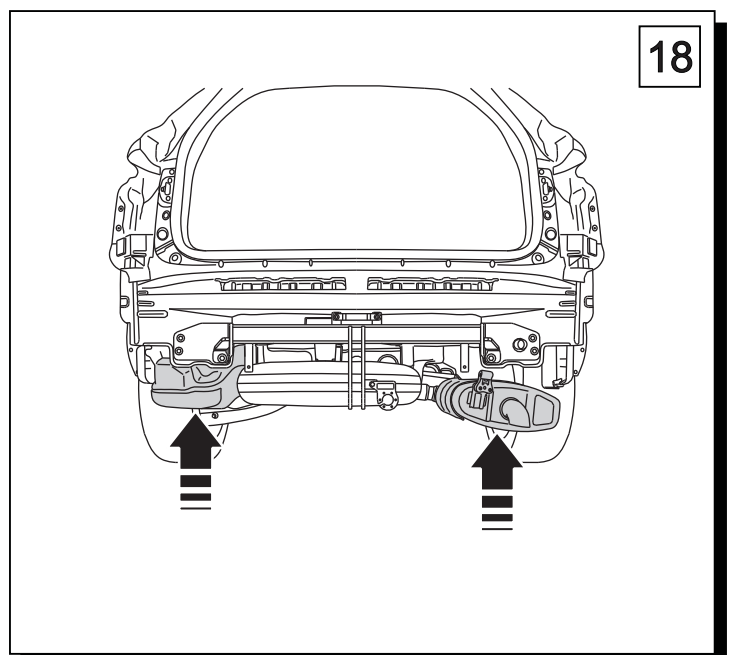
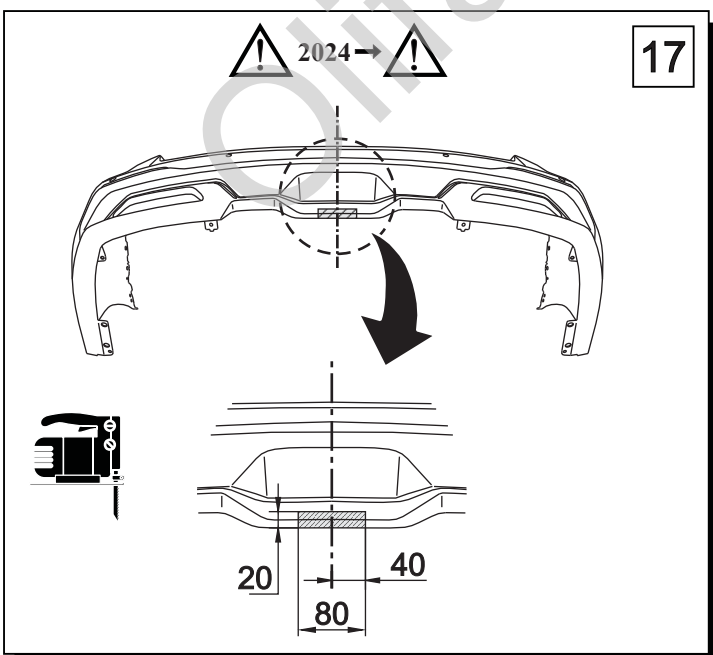
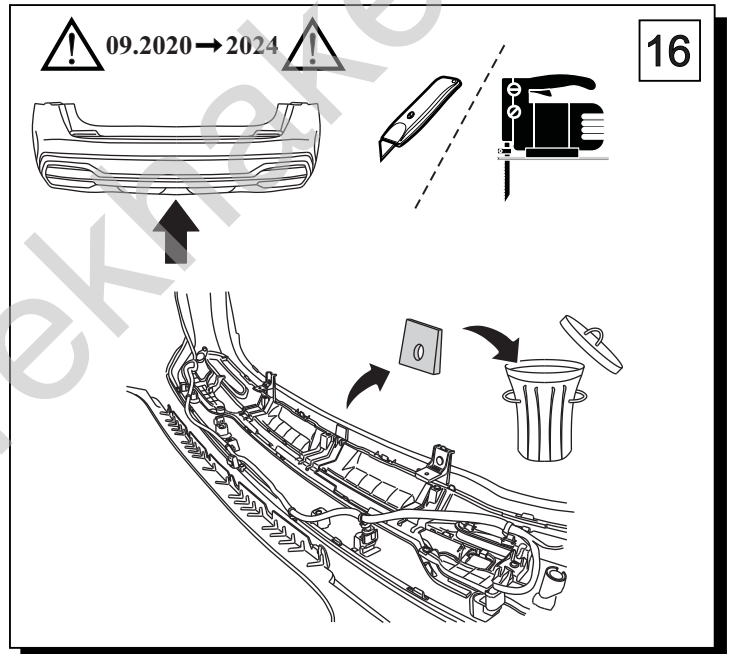
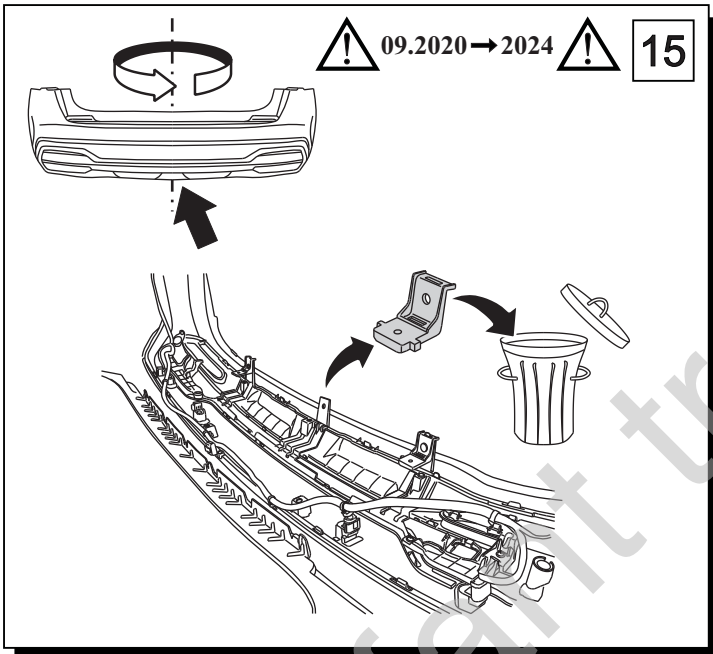
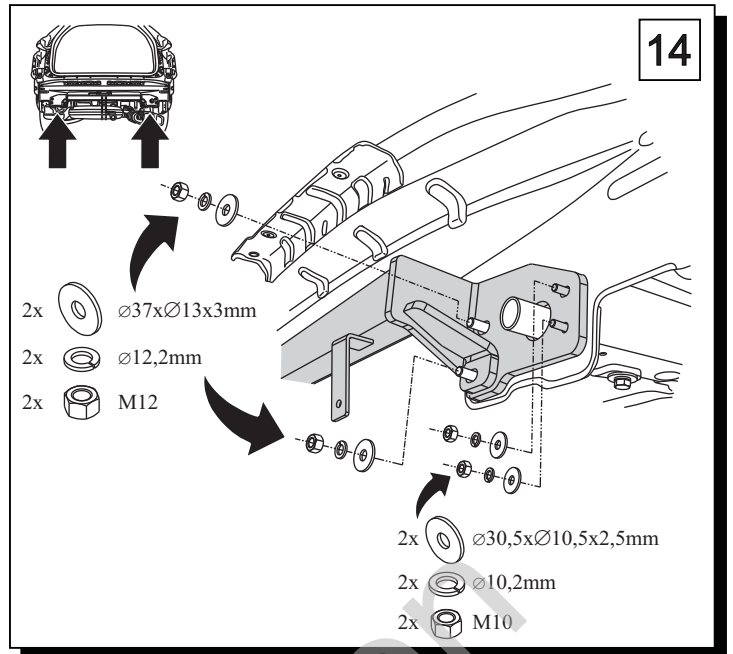
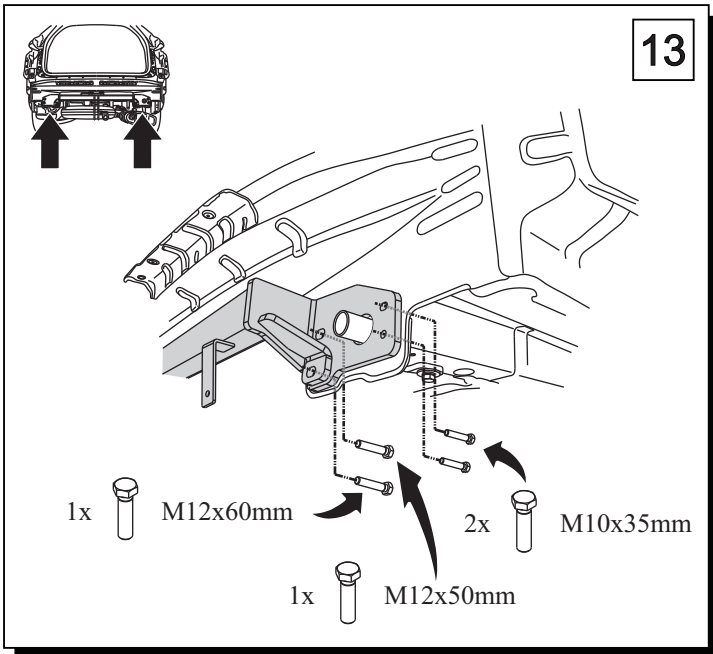
- 1x  M8x45mm

- 1x 
- 3x  $\varnothing 8,4\text{mm}$
- 1x  M8(DIN985)

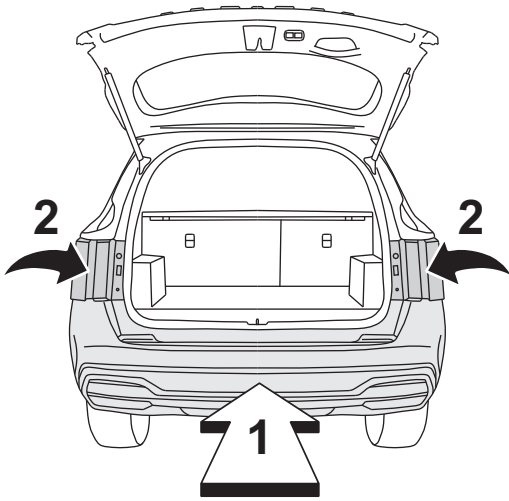


12

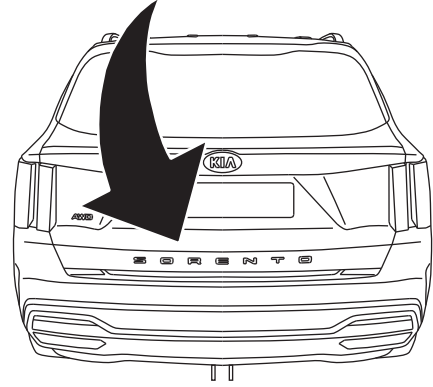




19



20



21

