

AUTO-HAK Sp. z o.o.

ul. Słoneczna 16K 76-200 SŁUPSK
POLAND

tel/fax +48 59 8 414 414; +48 59 8 414 413

e-mail: office@autohak.com.pl

www.autohak.com.pl



AUTO-HAK

KIA SORENTO (+facelift) MQ4 MY, +Hybrid

Nr kat.

T84



09.2020 → 2024
2024 →



E20-55R-02 6096



2h



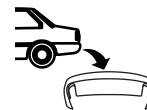
13,0 kN



R=2500 kg

09.2020 → 2024

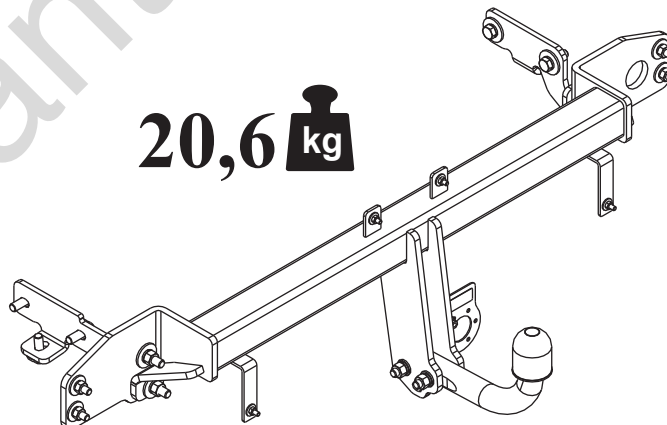
2024 →



S=100 kg



20,6 kg



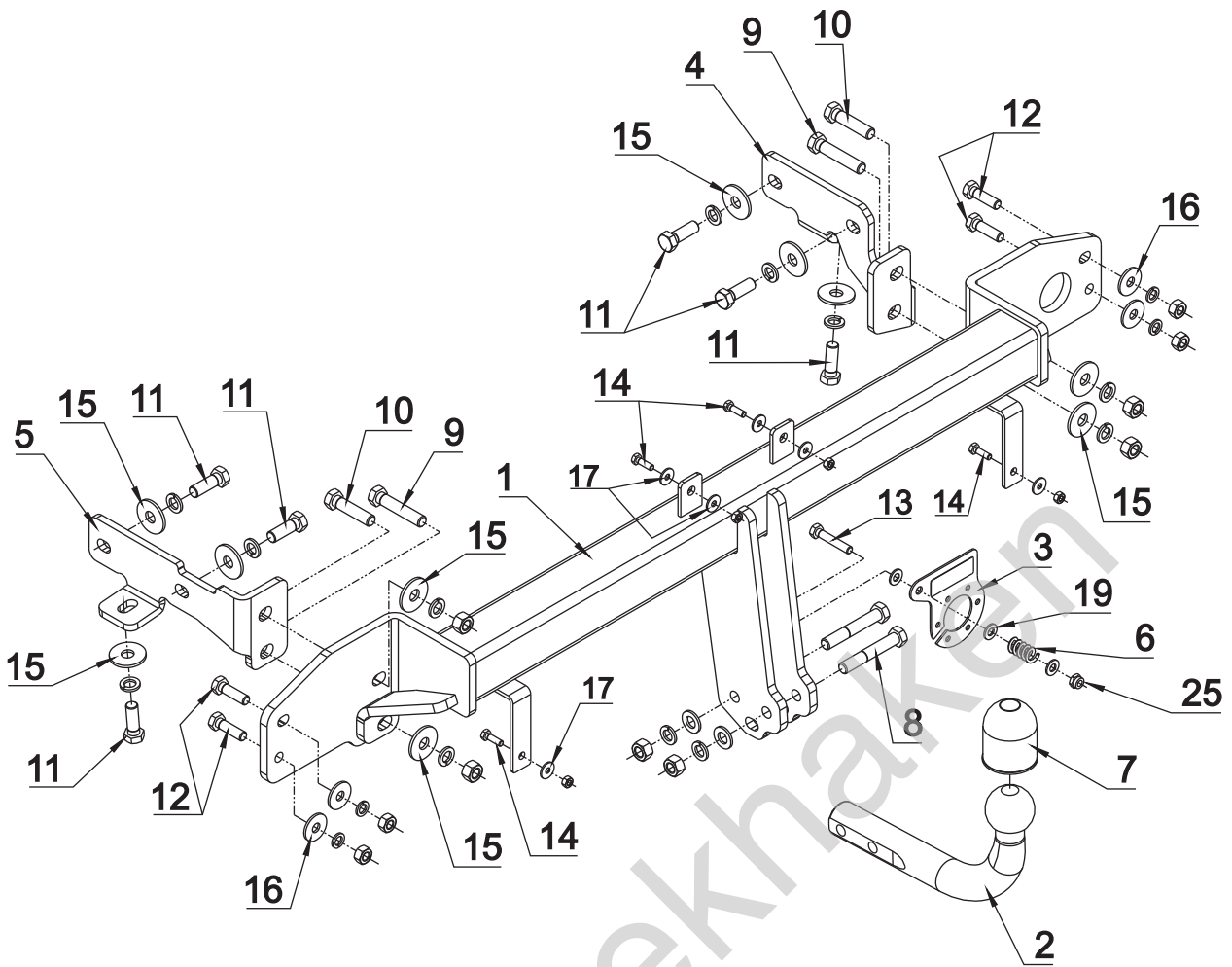
śruba	Nm	M6	M8	M10	M12	M14	M16
klasa 8.8		9,9	24	48	83	132	200
klasa 10.9		14	34	67	117	185	285

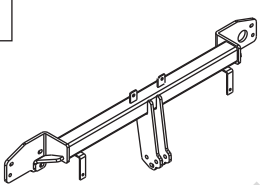





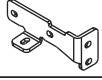








0 km →

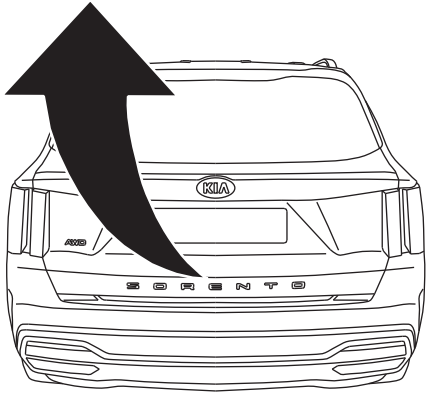


1000 km

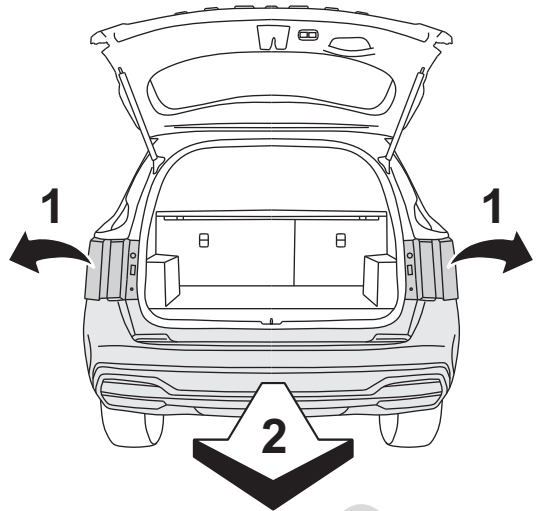


1		x 1		8 M12x75	x 2
2		x 1		9 M12x60	x 2
	Art.nr-KL1T84			10 M12x50	x 2
3		x 1		11 M12x1.25x35	x 6
	Art.nr-BL1T84			12 M10x35	x 4
4		x 1		13 M8x45	x 1
5		x 1		14 M6x20	x 4
6		x 1		15 $\varnothing 37 \times \varnothing 13 \times 3$ 13 (DIN 9021)	x 10
7		x 1		16 $\varnothing 30 \times \varnothing 10.5 \times 2.5$ 10 (DIN 9021)	x 4
				17 $\varnothing 18 \times \varnothing 6.4 \times 1.6$ 6 (DIN 9021)	x 6
				18 $\varnothing 13$	x 2
				19 $\varnothing 8.4$	x 3
				20 $\varnothing 12.2$	x 12
				21 $\varnothing 10.2$	x 4
				22 M12	x 6
				23 M10	x 4
				24 M6	x 4
				25 M8 (DIN985)	x 1

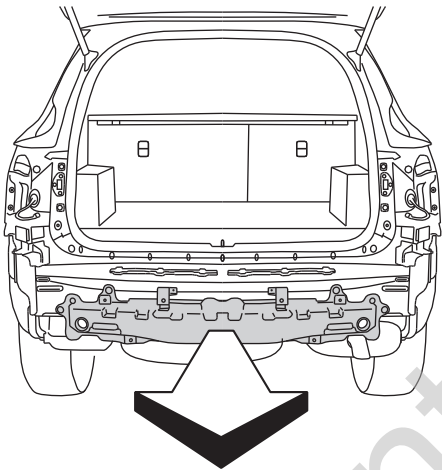
01



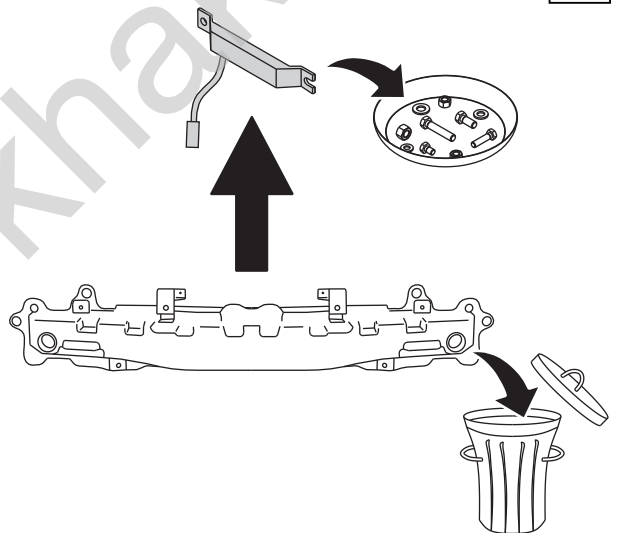
02



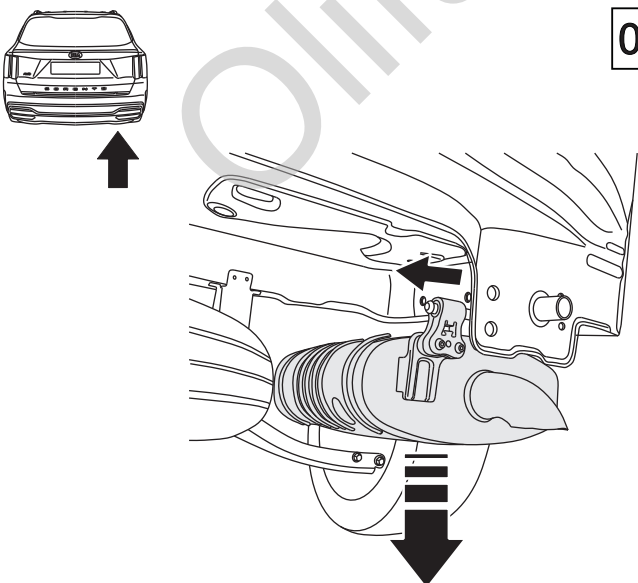
03



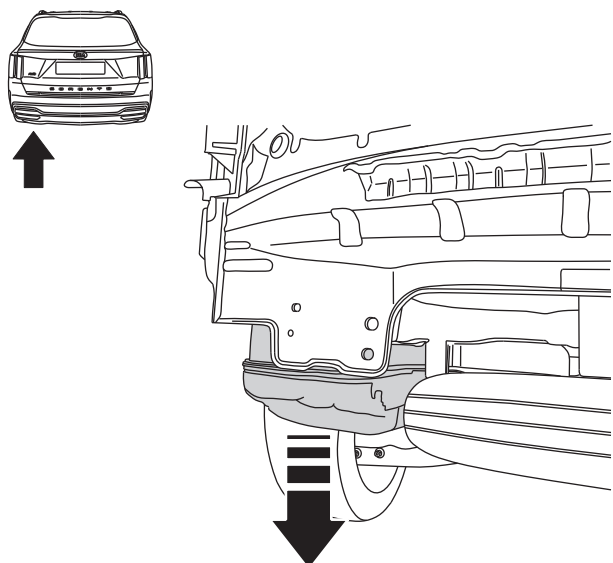
04



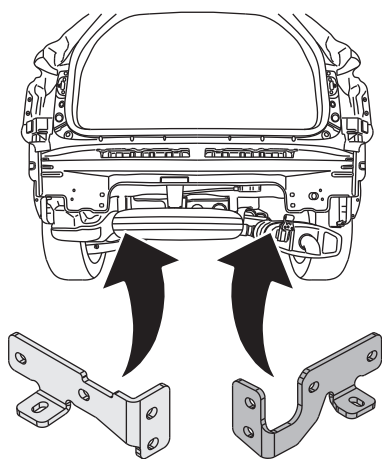
05






06






07

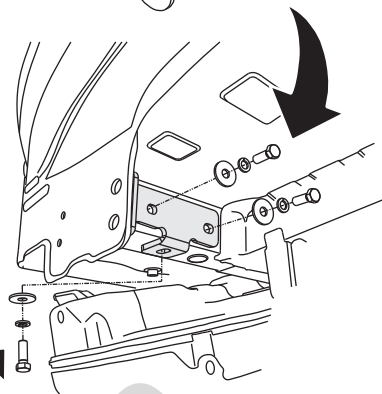


08




- 2x  M12x1,25x35mm
- 2x  ø12,2mm
- 2x  ø37xø13x3mm






- 1x  M12x1,25x35mm
- 1x  ø12,2mm
- 1x  ø37xø13x3mm

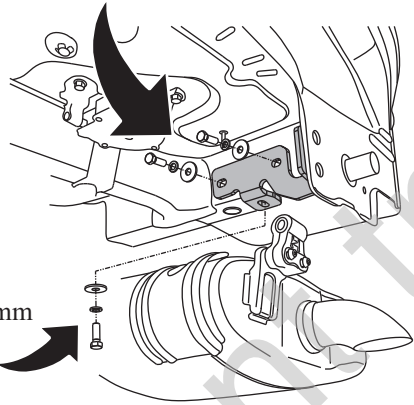


09

- 2x  M12x1,25x35mm
- 2x  ø12,2mm
- 2x  ø37xø13x3mm

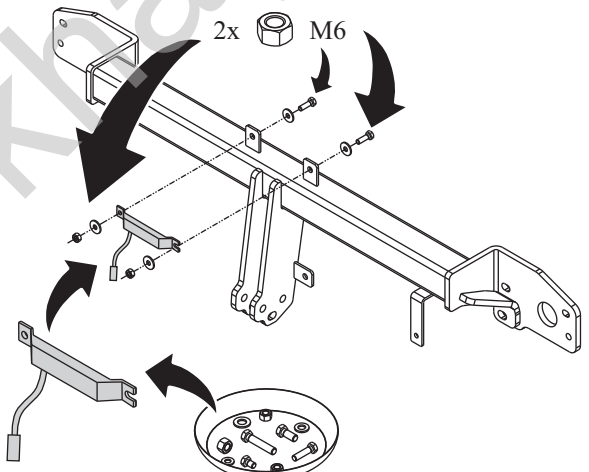


- 1x  M12x1,25x35mm
- 1x  ø12,2mm
- 1x  ø37xø13x3mm



10

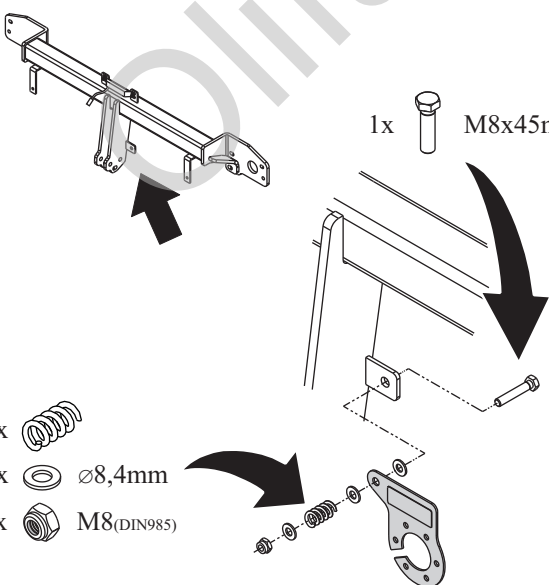
- 2x  M6x20mm
- 4x  ø18xø6,4x1,6mm
- 2x  M6



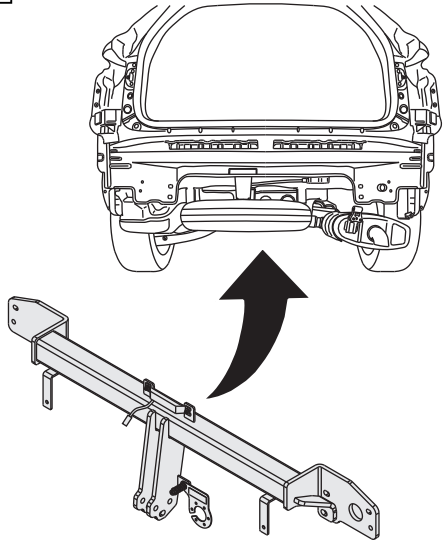
11

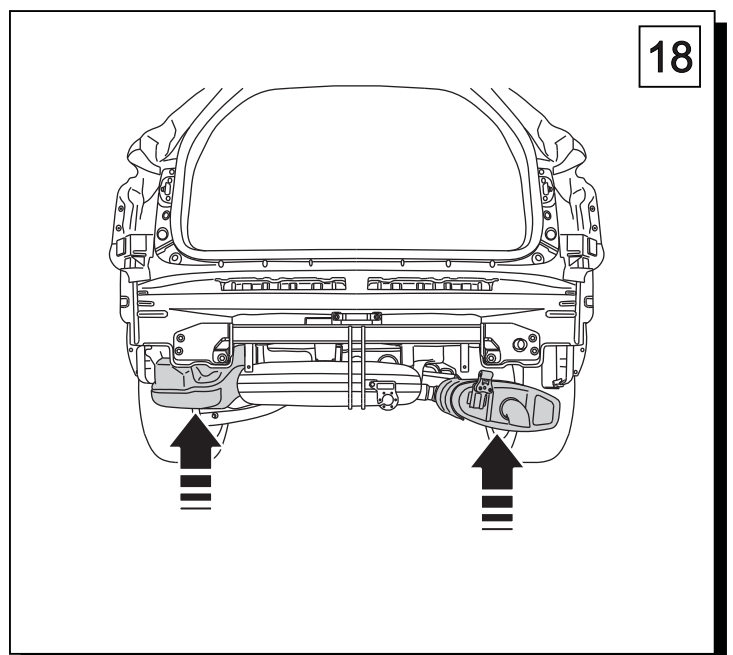
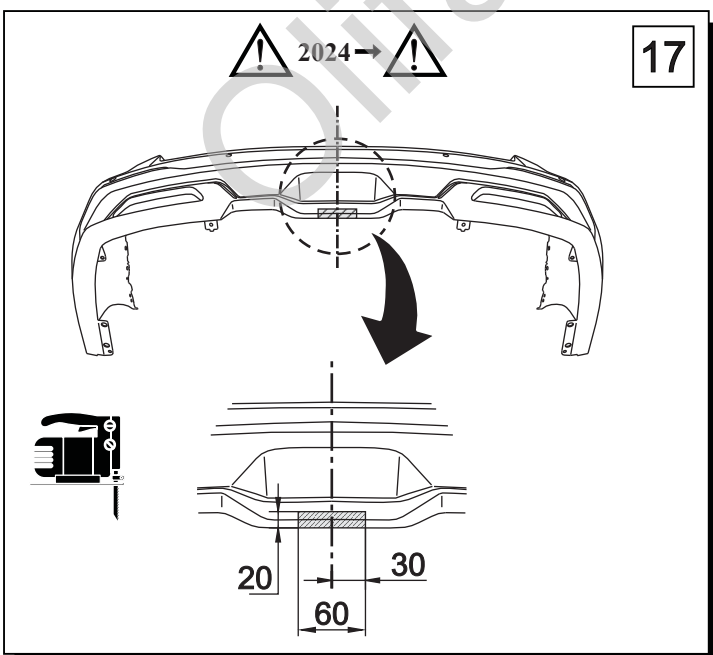
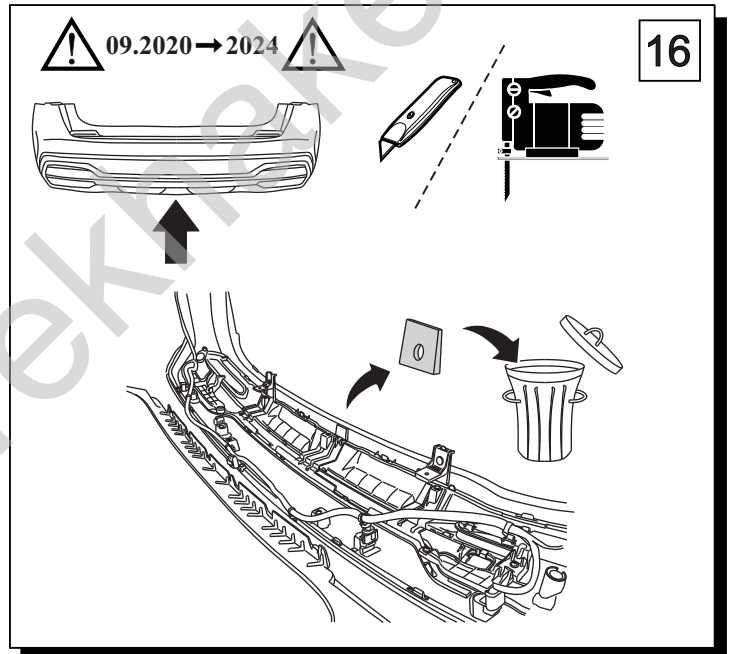
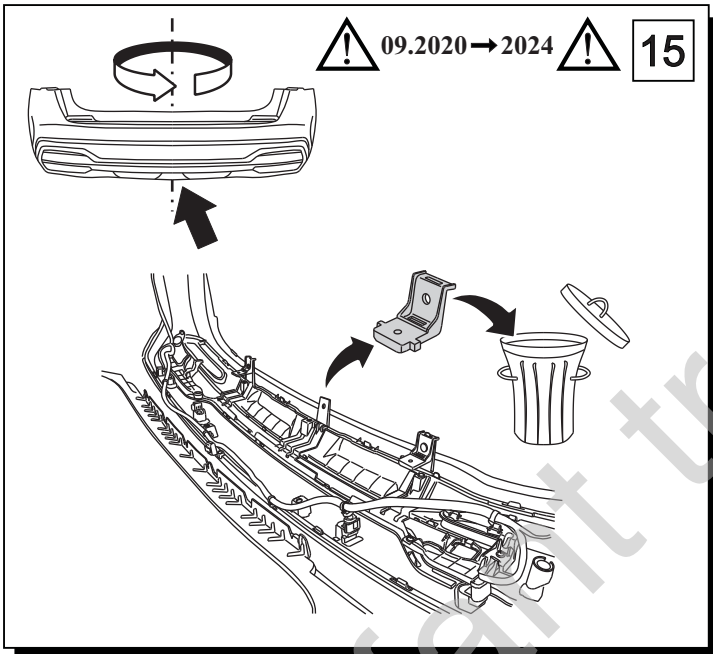
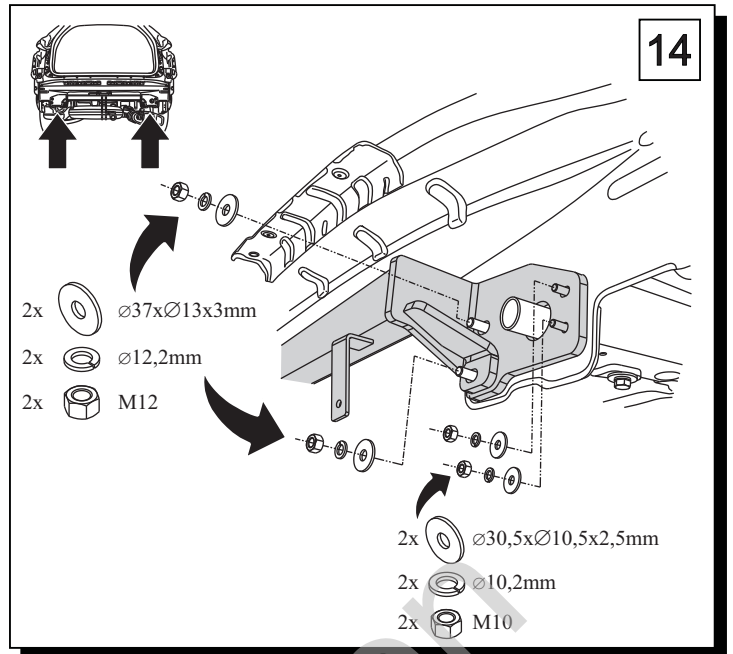
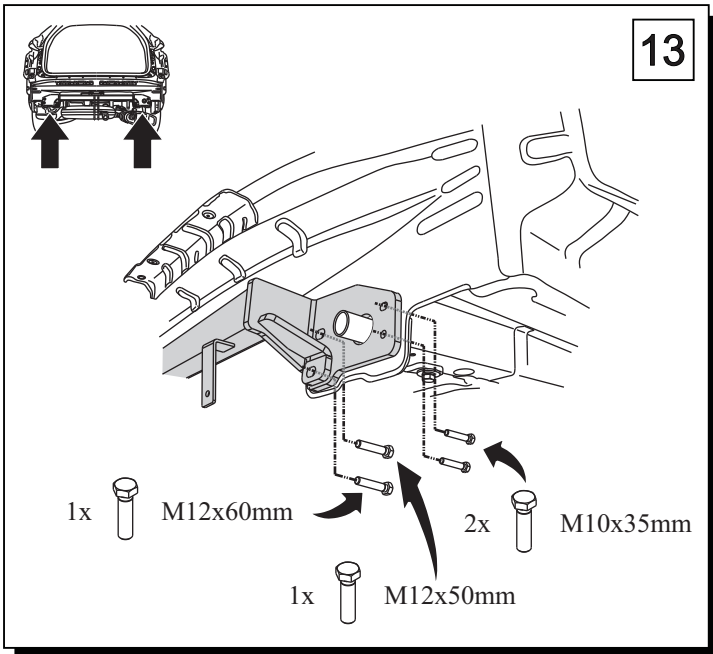
- 1x  M8x45mm

- 1x 
- 3x  ø8,4mm
- 1x  M8(DIN985)

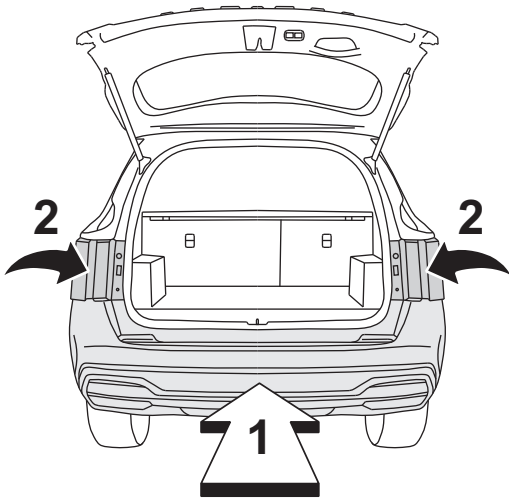


12

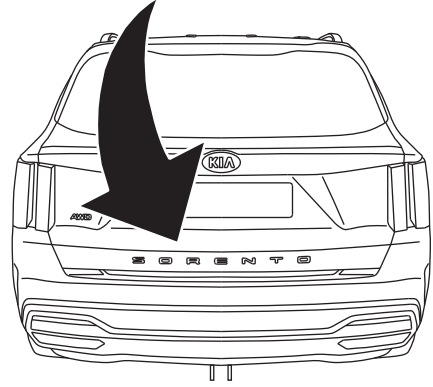




19



20



21

