

AUTO-HAK Sp. z o.o.

ul. Słoneczna 16K 76-200 SŁUPSK
POLAND

tel/fax +48 59 8 414 414; +48 59 8 414 413

e-mail: office@autohak.com.pl

www.autohak.com.pl



AUTO-HAK

KIA XCEED

Cat. no:

T83A



09.2019 →



E20-55R-01 5860

D

8,5 kN



R=1300 kg



S=75 kg



2h



15,4 kg



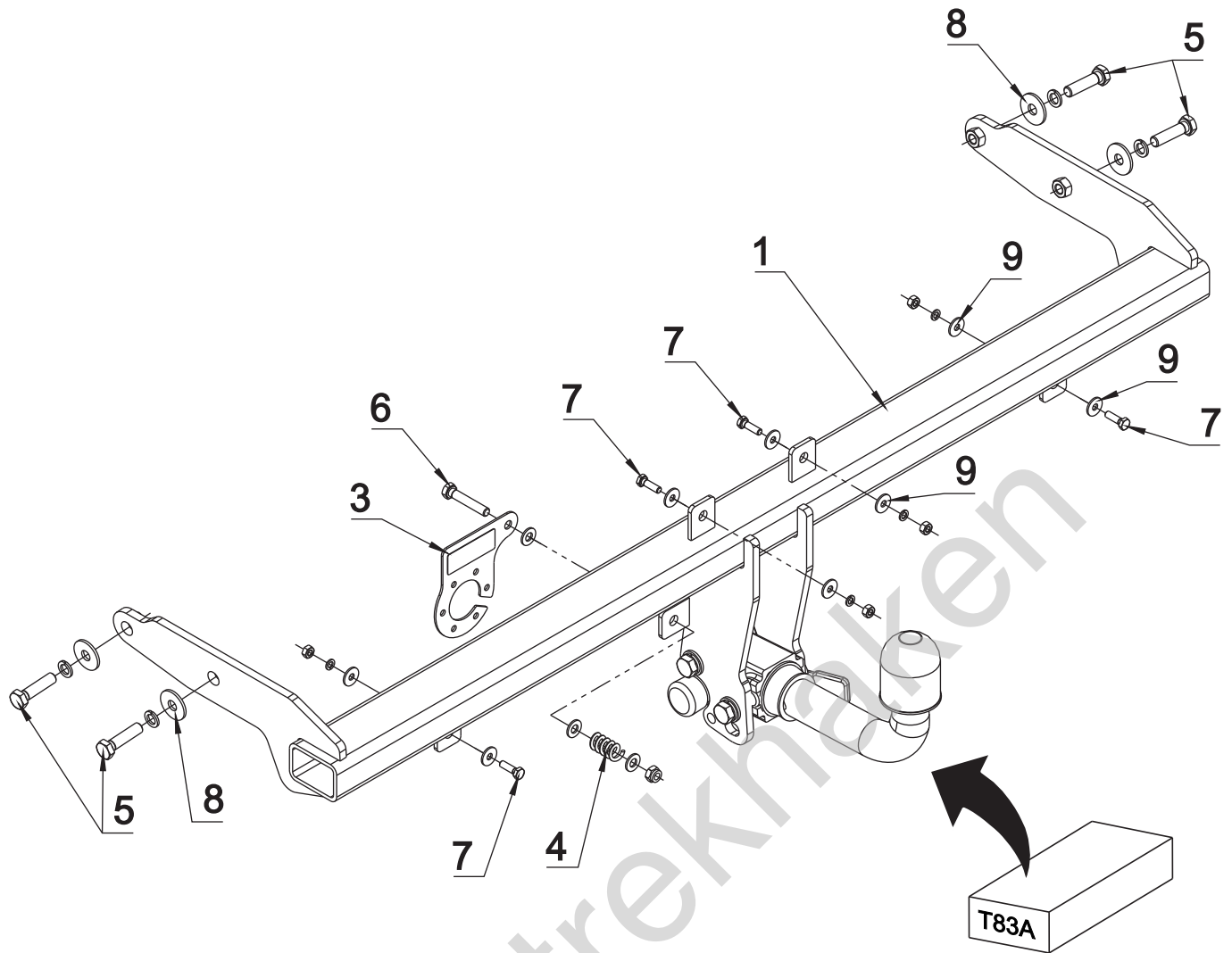
śruba	Nm	M6	M8	M10	M12	M14	M16
klasa 8.8		9,9	24	48	83	132	200
klasa 10.9		14	34	67	117	185	285

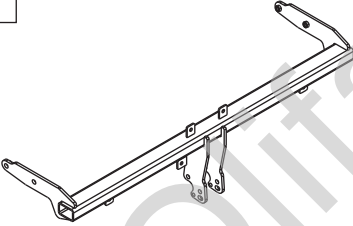





0 km

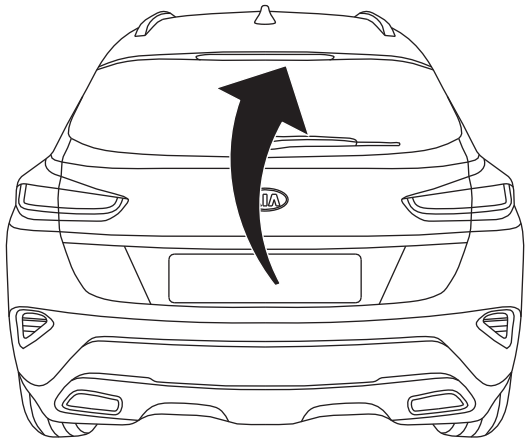


1000 km

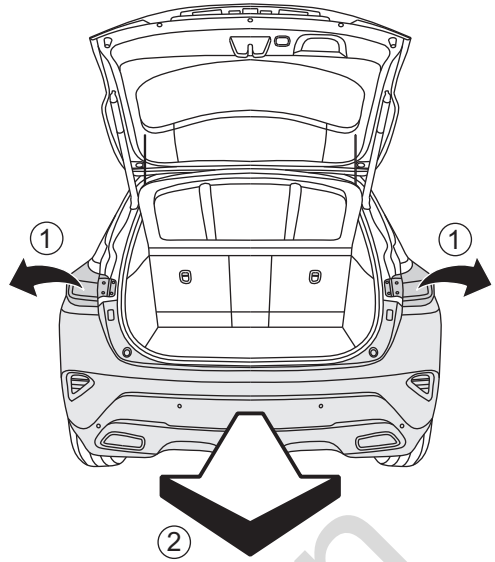


1	x1		5	M 10x40	x 4
			6	M 8x45	x 1
2	x1	 Art.nr-KL1T83A	7	M 6x20	x 4
			8	\varnothing 30x \varnothing 10.5x2.5 10 DIN 9021	4
3	x1	 Art.nr-BL12T83A	9	\varnothing 18x \varnothing 6.4x1.6 6 DIN 9021	8
			10	\varnothing 8.3	x 3
4	x1		11	\varnothing 10.2	x 4
			12	\varnothing 6.1	x 4
			13	M 6	x 4
			14	M 8 (DIN985)	x 1

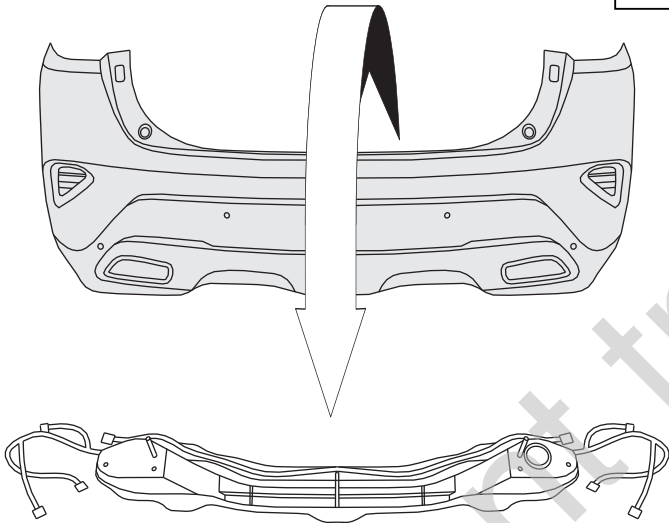
01



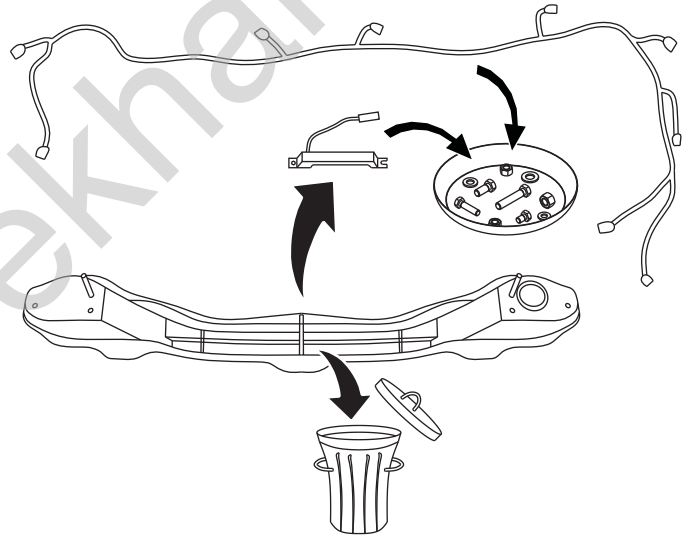
02



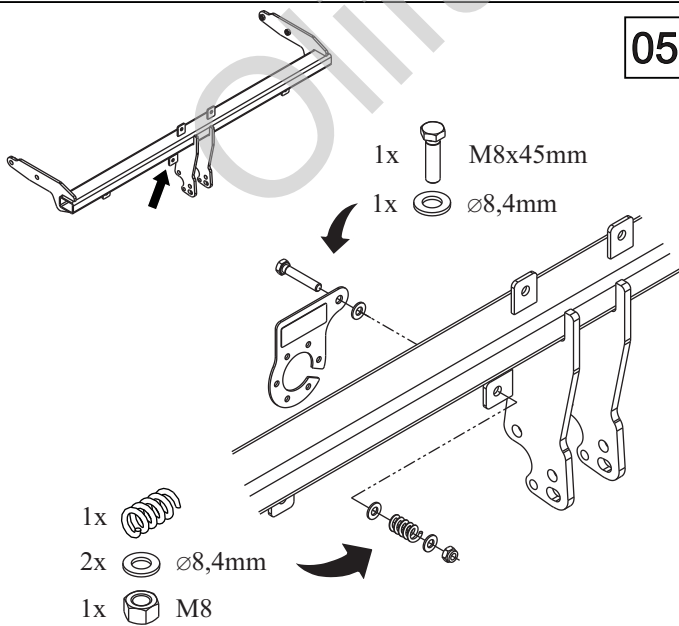
03



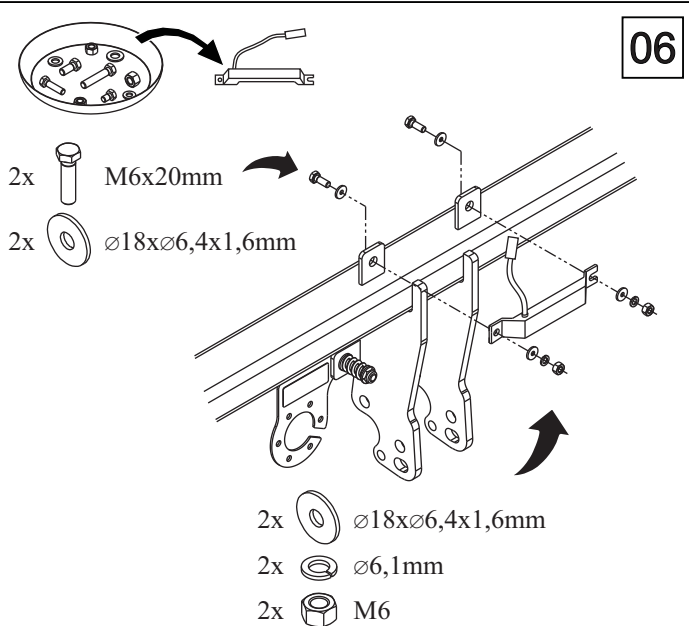
04

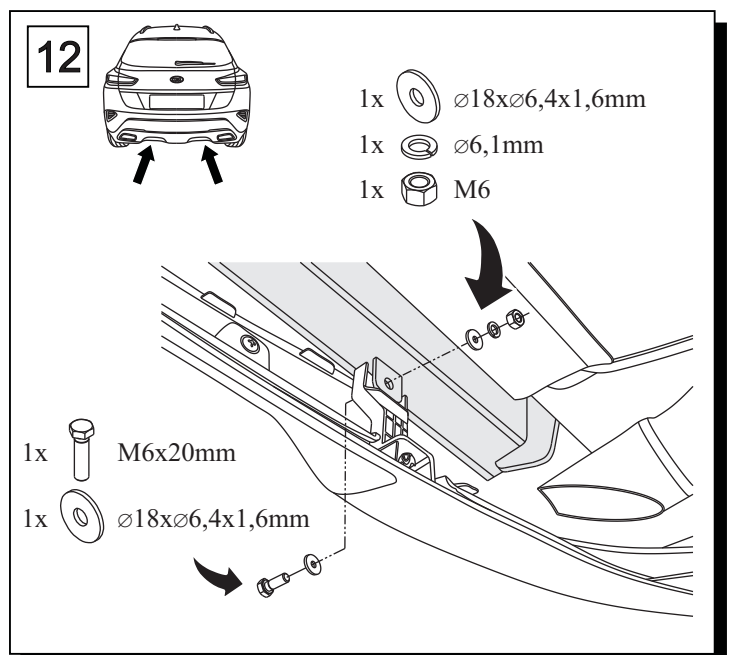
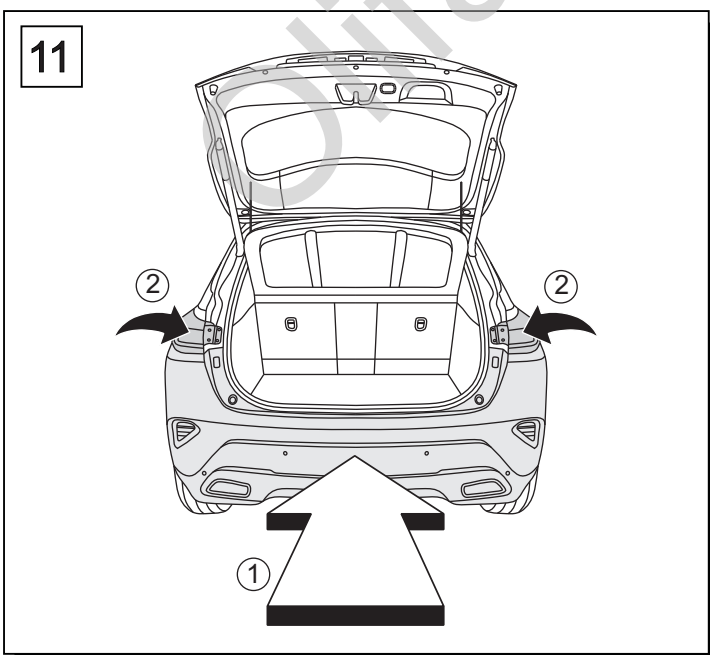
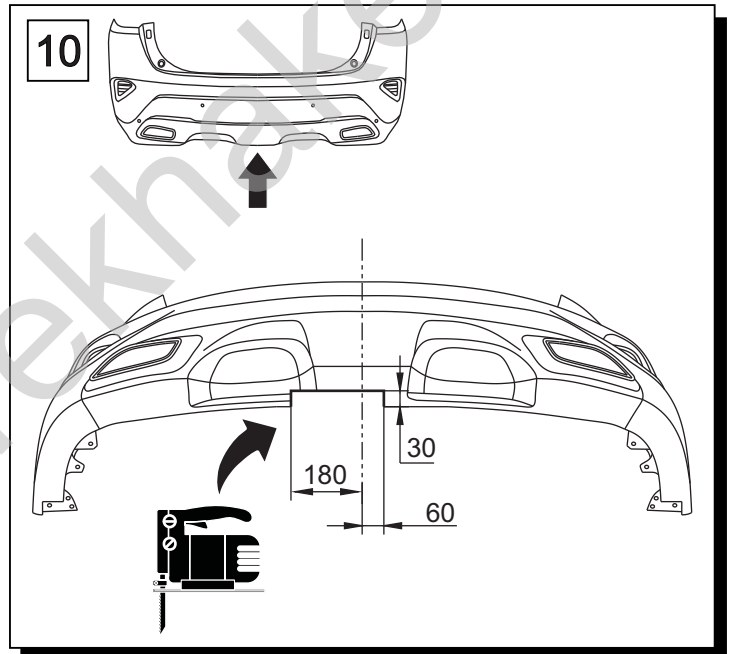
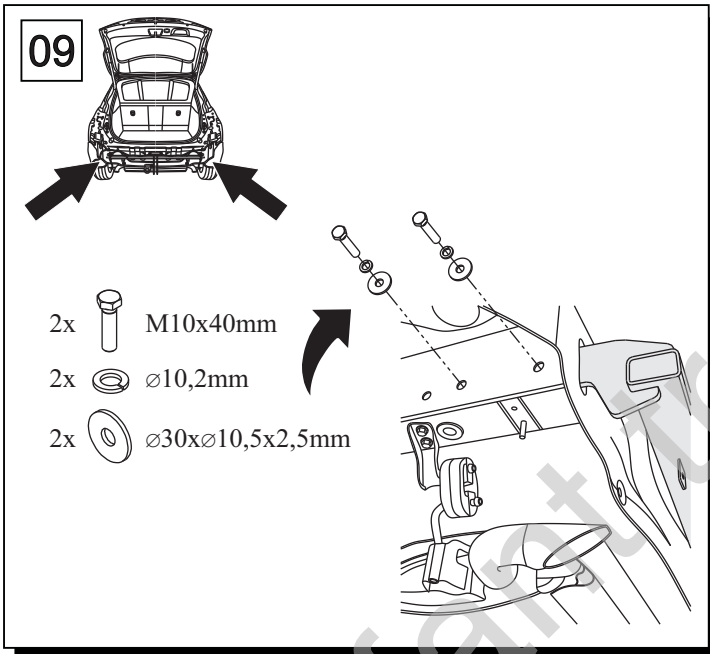
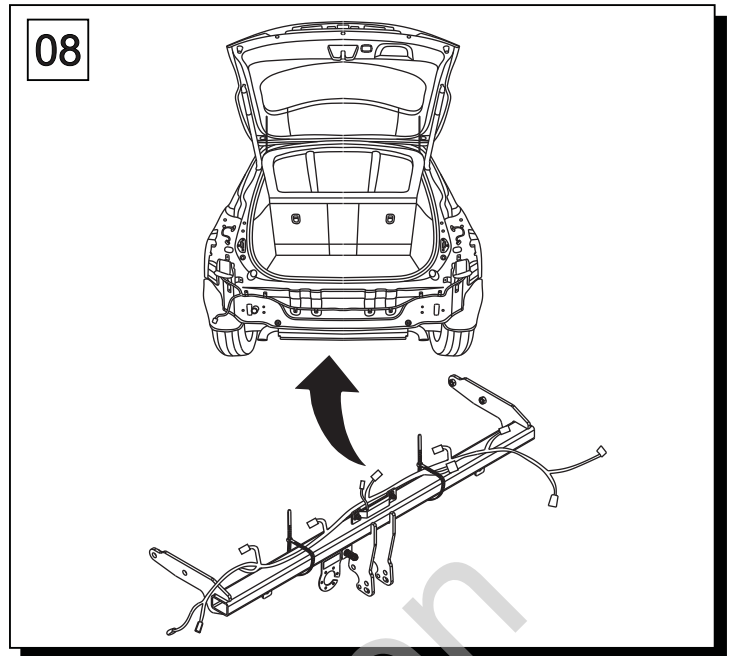
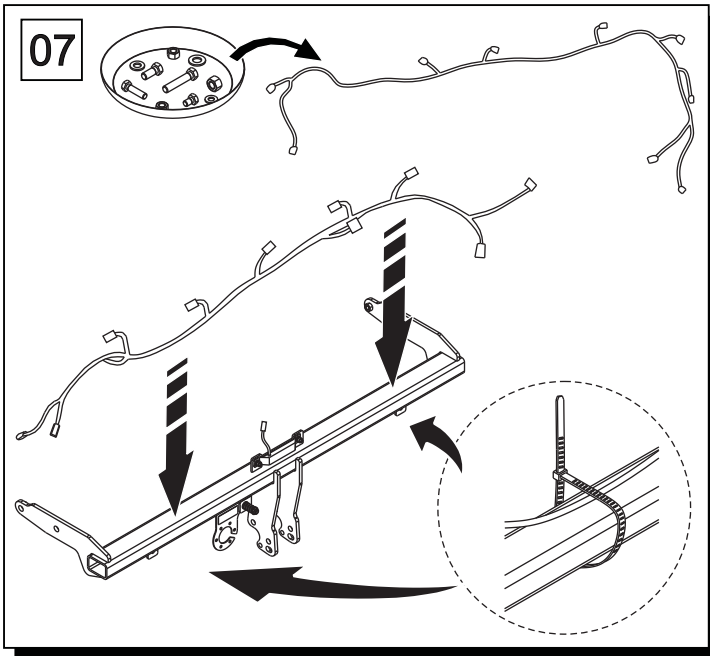


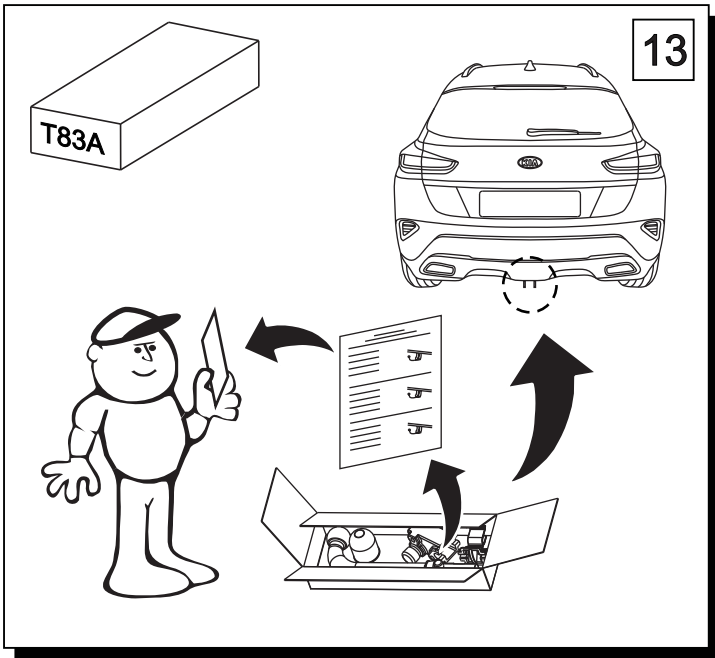
05



06







Olifant trekhaken