

AUTO-HAK Sp. z o.o.

ul. Słoneczna 16K 76-200 SŁUPSK
POLAND

tel/fax +48 59 8 414 414; +48 59 8 414 413

e-mail: office@autohak.com.pl

www.autohak.com.pl




AUTO-HAK

KIA NIRO (+AdBlue, Hybrid)


Cat. no:


T82A

 06.2019 →

 E20-55R-01 5857

D 8,25 kN

 R=1300 kg

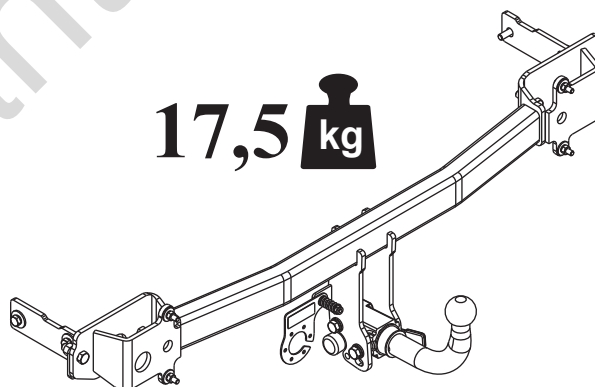
 S=100 kg

 2h



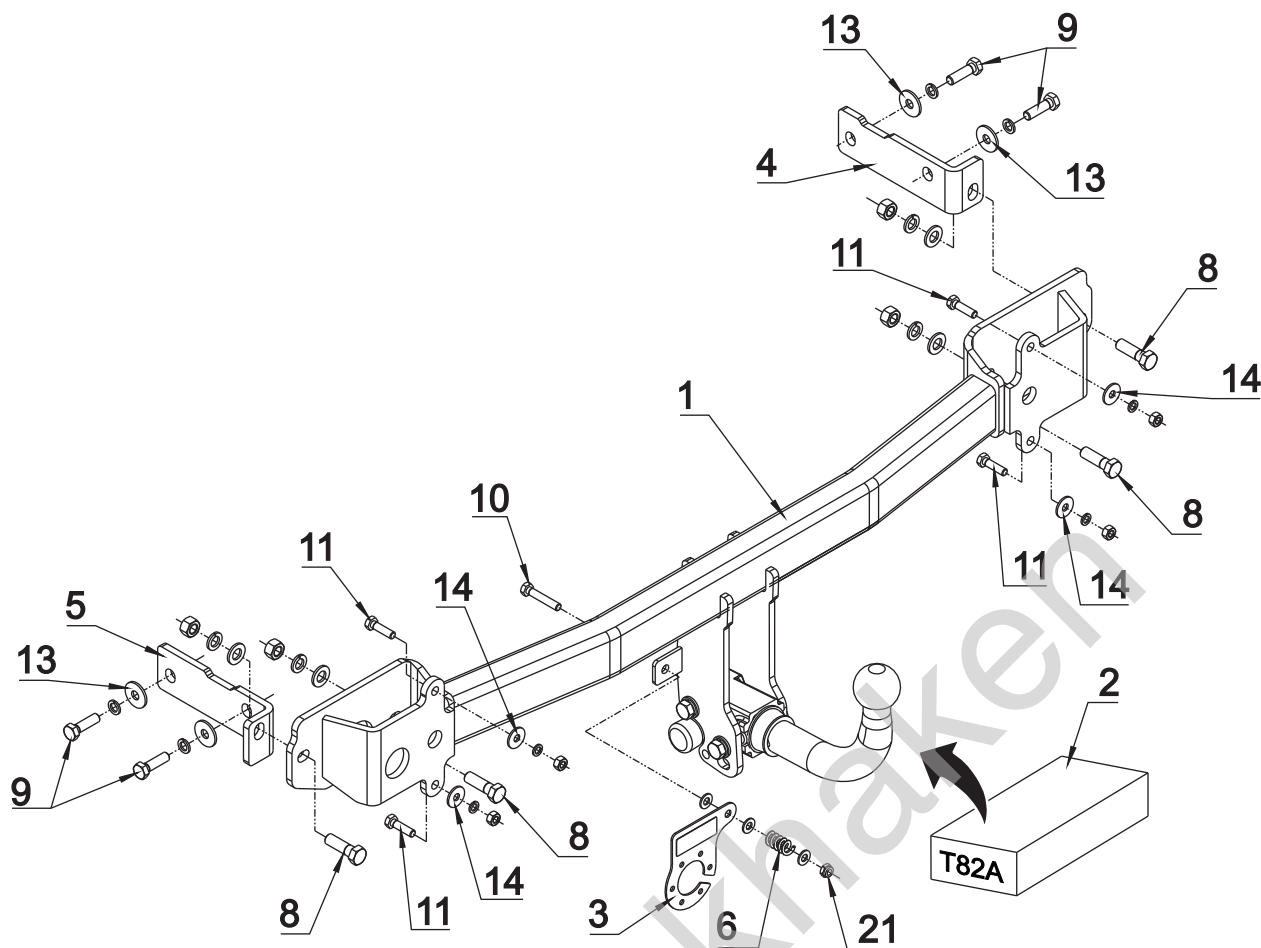


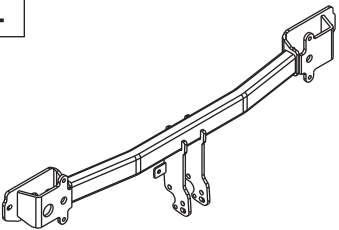

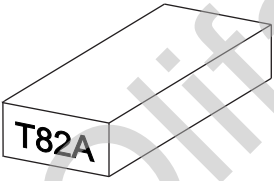

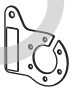

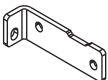

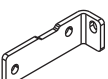







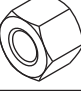




17,5 



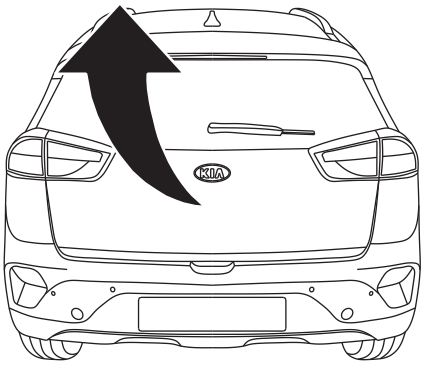
śruba Nm	M6	M8	M10	M12	M14	M16
klasa 8.8	9,9	24	48	83	132	200
klasa 10.9	14	34	67	117	185	285

 0 km →  1000 km

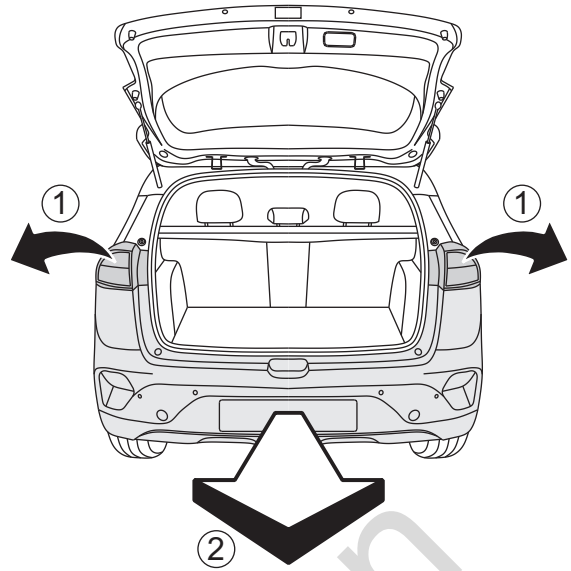


1		x 1		8	M 12x40	x 4
2	 Art.nr-KL1T82A	x 1		9	M 10x35	x 4
3	 Art.nr-BL12T82A	x 1		10	M 8x45	x 1
4		x 1		11	M 8x30	x 4
5		x 1		12	∅ 13	x 4
6		x 1		13	∅ 30x∅10.5x2.5 10 (DIN 9021)	x 4
7		x 1		14	∅ 24x∅8.5x2 8 (DIN 9021)	x 4
				15	∅ 8.4	x 3
				16	∅ 12.2	x 4
				17	∅ 10.2	x 4
				18	∅ 8.2	x 4
				19	M 12	x 4
				20	M 8	x 4
				21	M 8 (DIN985)	x 1

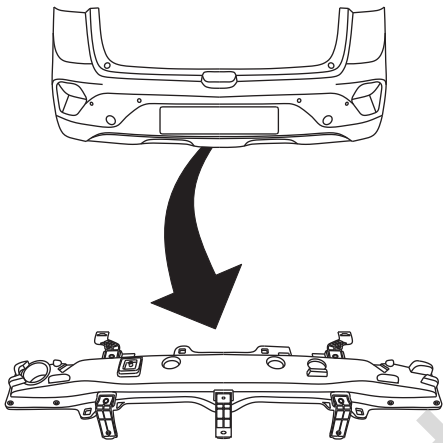
01



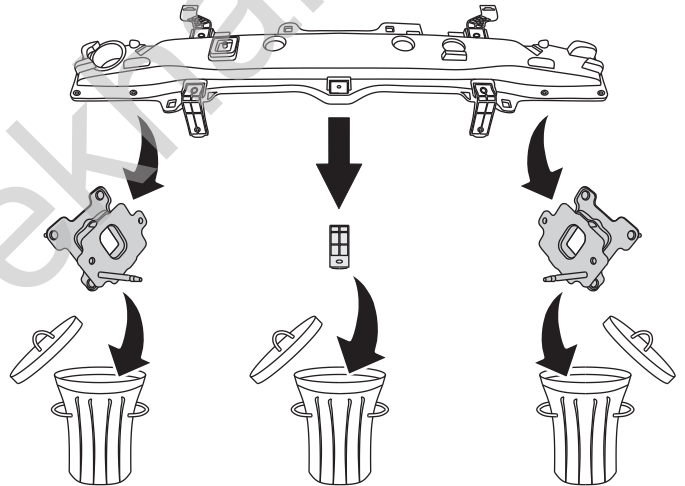
02



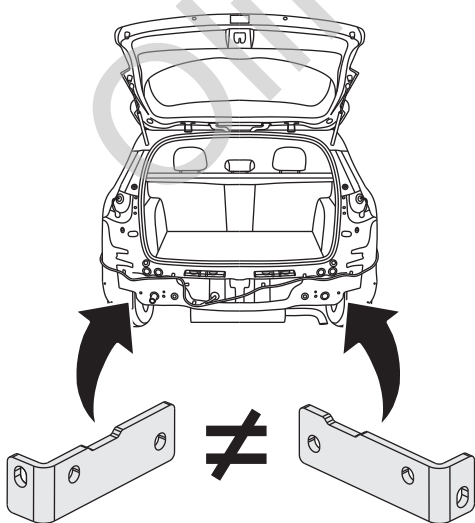
03



04



05



06

