

AUTO-HAK Sp. z o.o.

ul. Słoneczna 16K 76-200 SŁUPSK
POLAND

tel/fax +48 59 8 414 414; +48 59 8 414 413

e-mail: office@autohak.com.pl

www.autohak.com.pl



AUTO-HAK

KIA PROCEED (Shooting Brake) GT oraz GT-Line

Nr kat.

T81A



01.2019 →



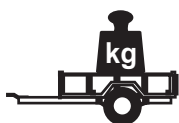
E20-55R-01 5640



2h

D

8,41 kN

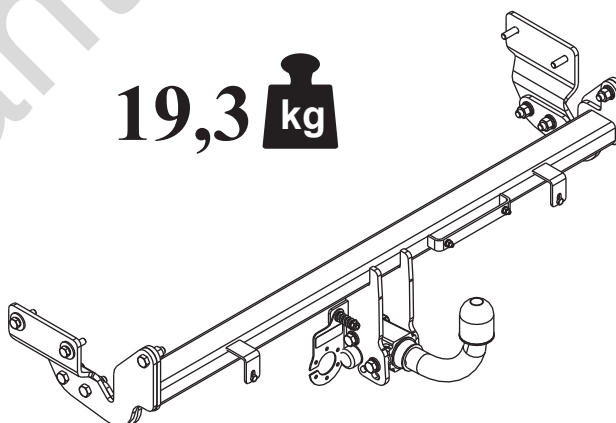


R=1500 kg



S=75 kg

19,3 kg



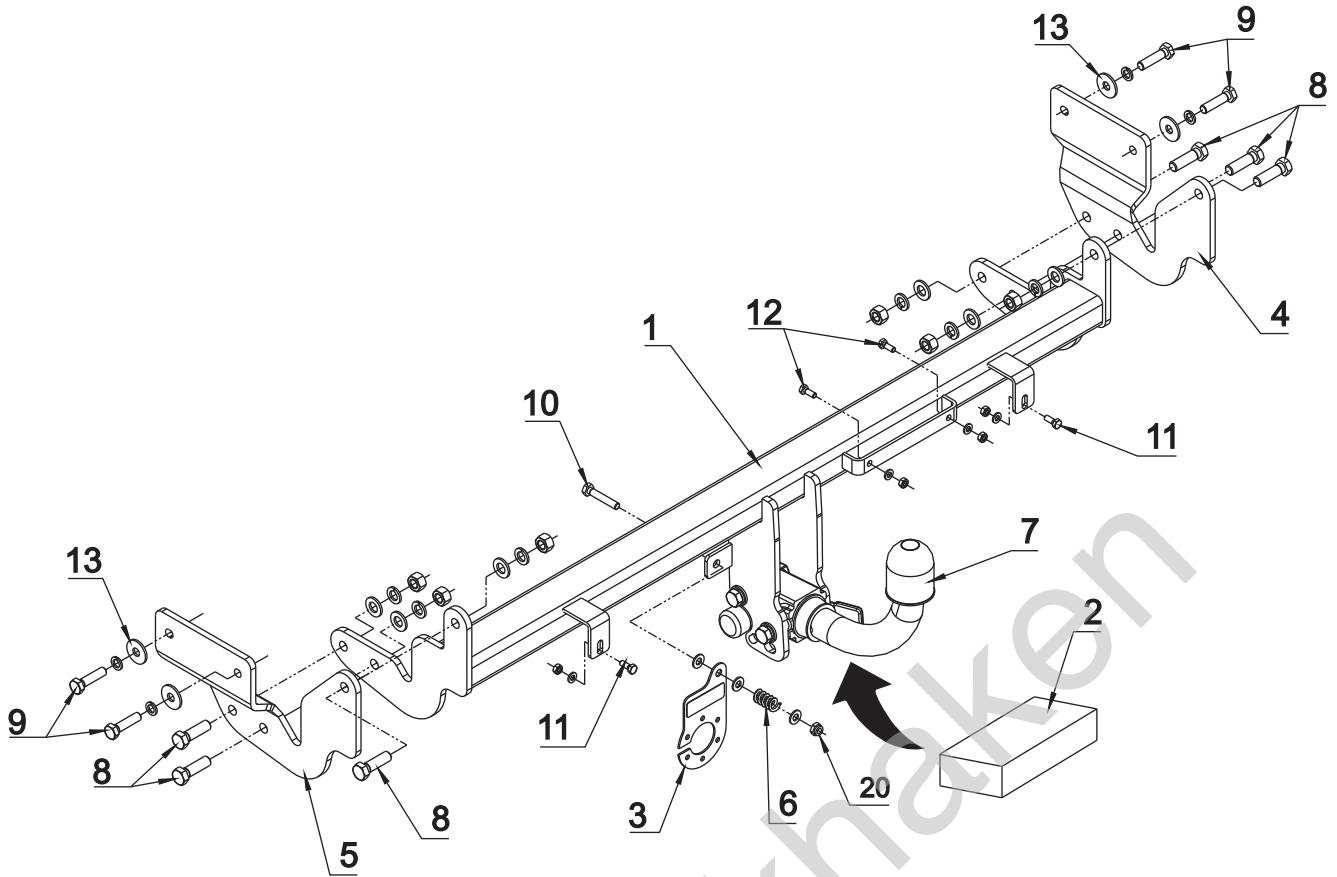
śruba	Nm	M6	M8	M10	M12	M14	M16
klasa 8.8		9,9	24	48	83	132	200
klasa 10.9		14	34	67	117	185	285

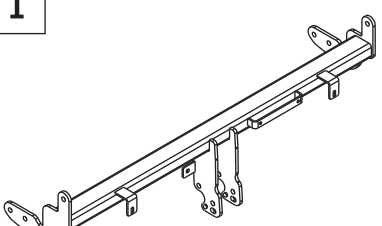

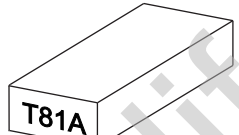

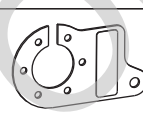

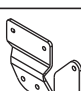

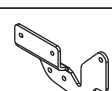

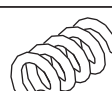
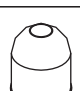


0 km →

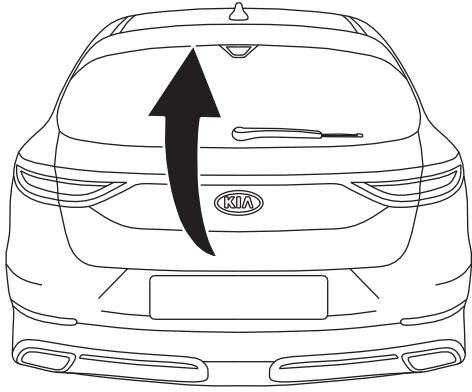


1000 km

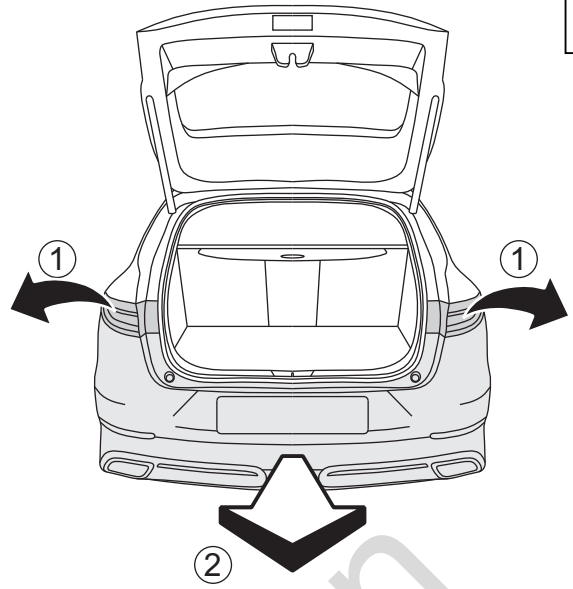


1 	x 1		8 M12x40	x 6
			9 M10x1.25x40	x 4
			10 M8x45	x 1
			11 M6x16	x 4
			12 \varnothing 13	x 6
			13 \varnothing 30x \varnothing 10.5x2.5 10 DIN 9021	x 4
2  Art.nr-KL1T81A	x 1		14 \varnothing 8.4	x 3
			15 \varnothing 6.4	x 4
3  Art.nr-BL25T81A	x 1		16 \varnothing 12.2	x 6
			17 \varnothing 10.2	x 4
4 	x 1		18 M12	x 6
			19 M6	x 4
5 	x 1		20 M 8 (DIN985)	x 1
6 	x 1			
7 	x 1			

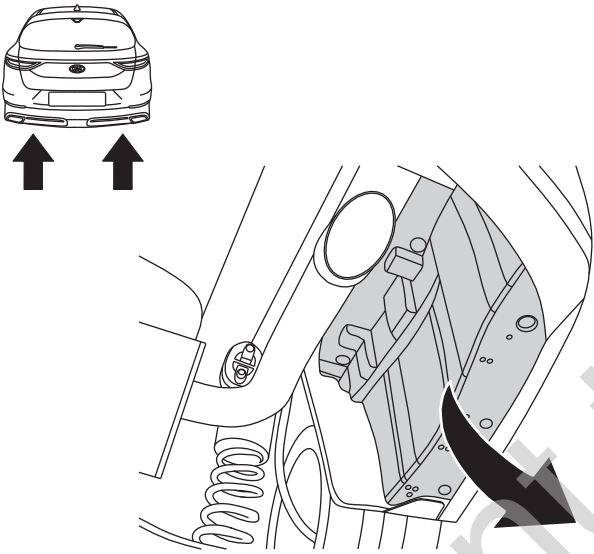
01



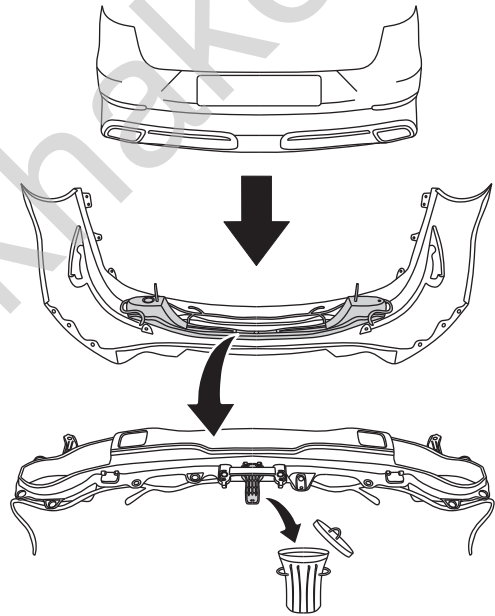
02



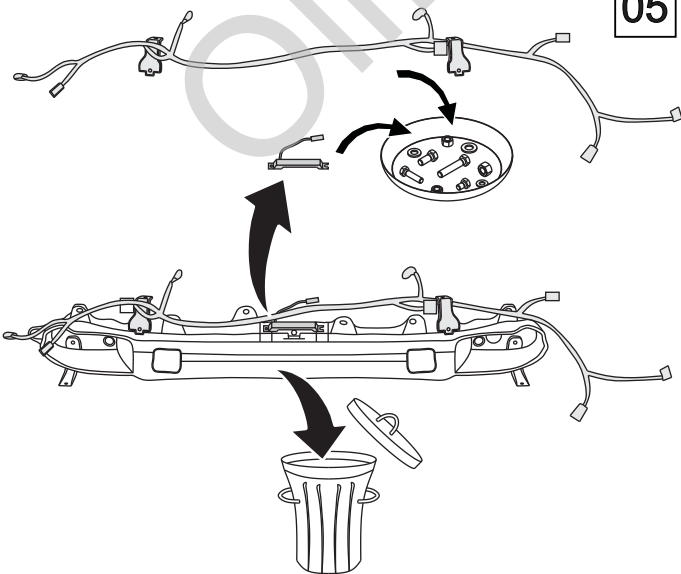
03



04



05



06

