

AUTO-HAK Sp. z o.o.

ul. Słoneczna 16K 76-200 SŁUPSK
POLAND

tel/fax +48 59 8 414 414; +48 59 8 414 413

e-mail: office@autohak.com.pl

www.autohak.com.pl



AUTO-HAK

KIA CEED SW KOMBI

Cat. no:

T80A



07.2018 → 08.2019
09.2019 →



E20-55R-01 5598



2h

D

8,41 kN



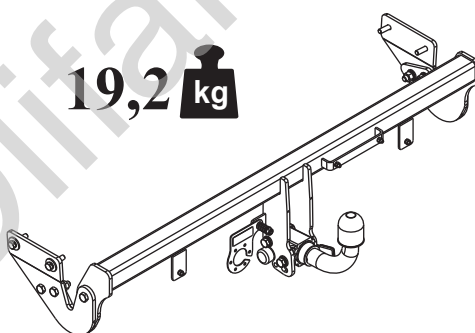
R=1500 kg



S=75 kg



19,2 kg



FULL VERSION INSTRUCTION



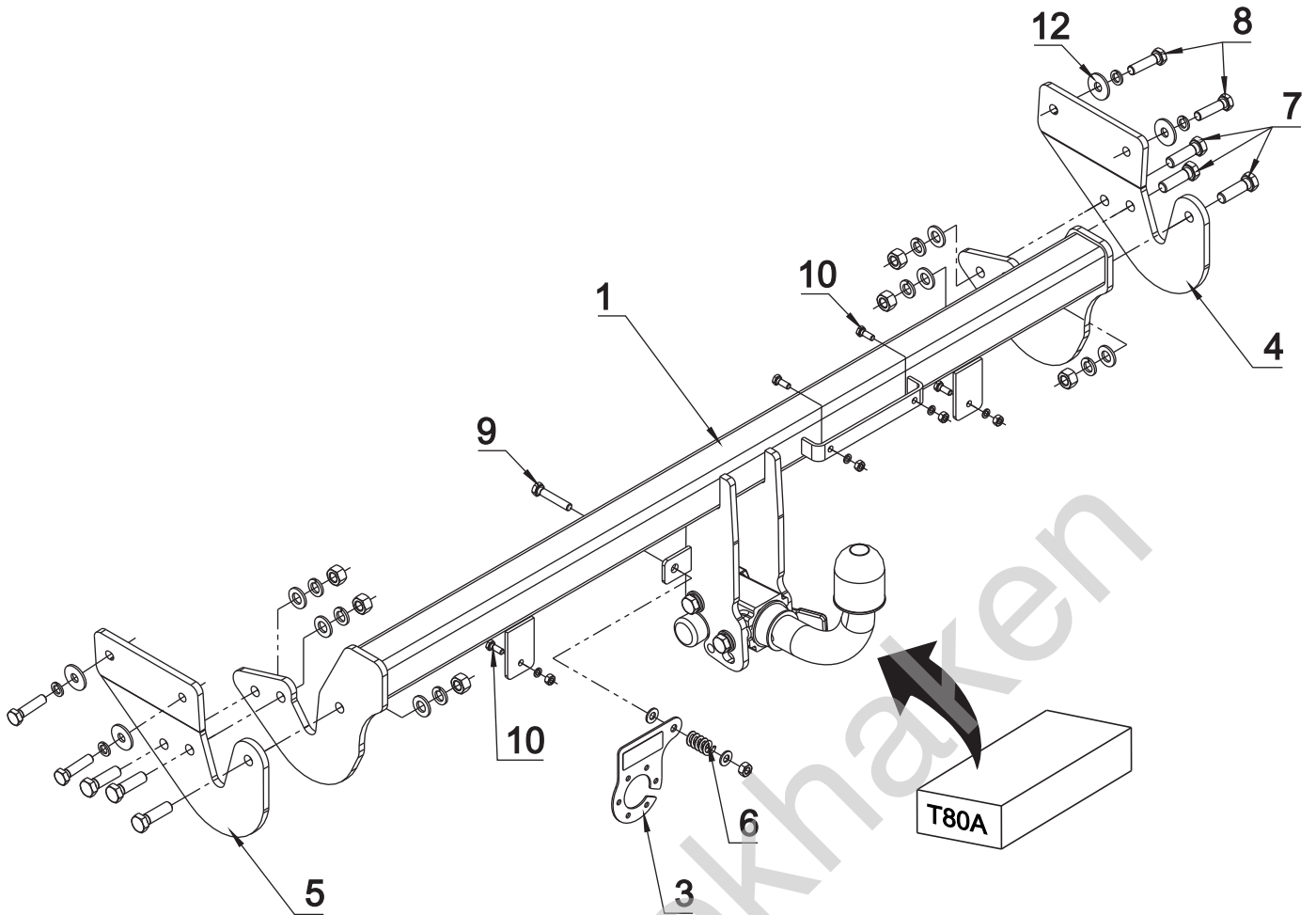
śruba	Nm	M6	M8	M10	M12	M14	M16
klasa 8.8		9,9	24	48	83	132	200
klasa 10.9		14	34	67	117	185	285

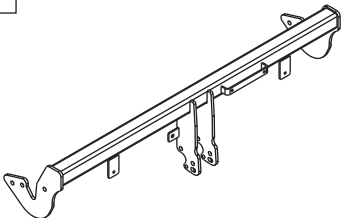

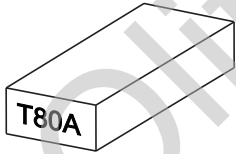

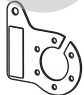

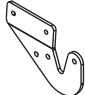

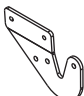






0 km

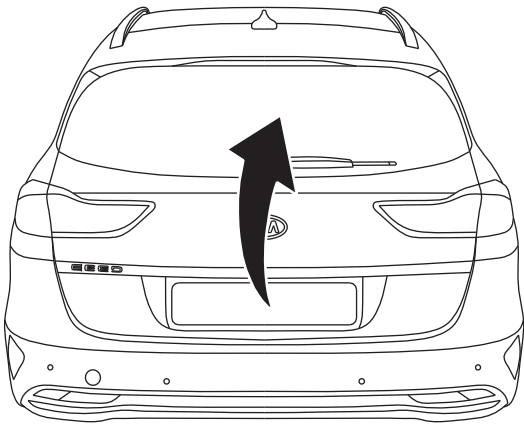


1000 km

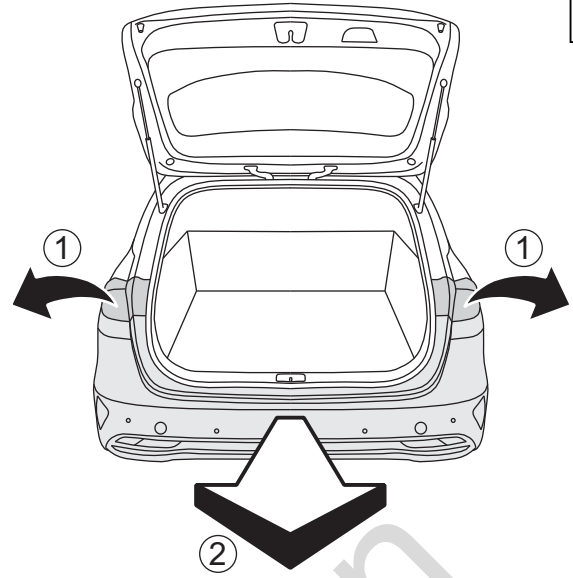


1		x1		7	M12x40	x6
2	 Art.nr-KL1T80A	x1		8	M10x1.25x40	x4
				9	M8x45	x1
3	 Art.nr-BL12T80A	x1		10	M6x16	x4
				11	∅ 13	x6
4		x1		12	∅ 30x∅10.5x2.5 10 DIN 9021	4
				13	∅ 8.5	x2
5		x1		14	∅ 12.2	x6
				15	∅ 10.2	x4
6		x1		16	∅ 6.1	x4
				17	M12	x6
				18	M8	x1
				19	M6	x4

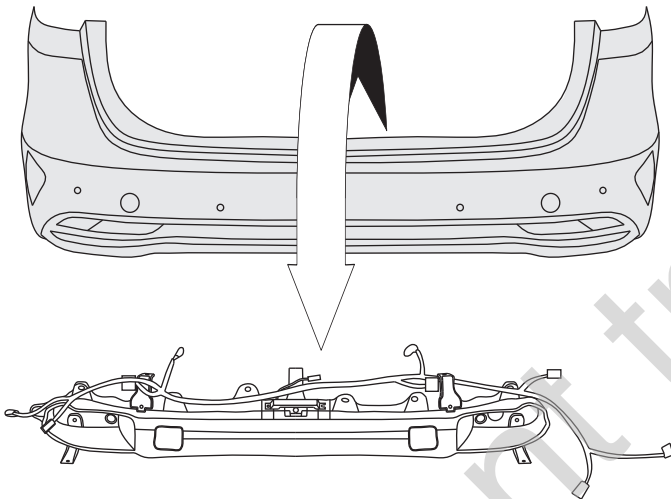
01



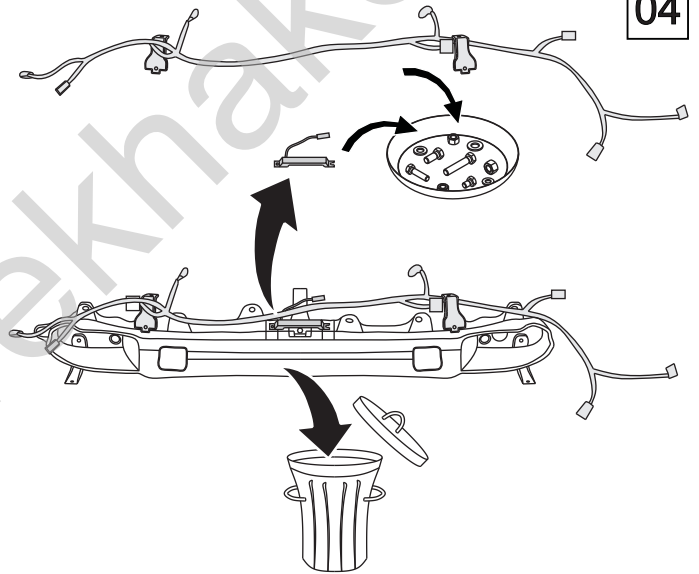
02



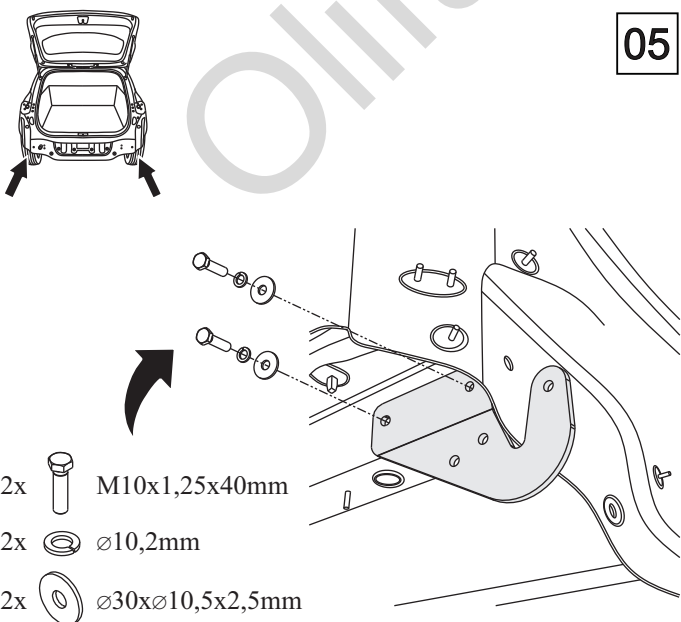
03



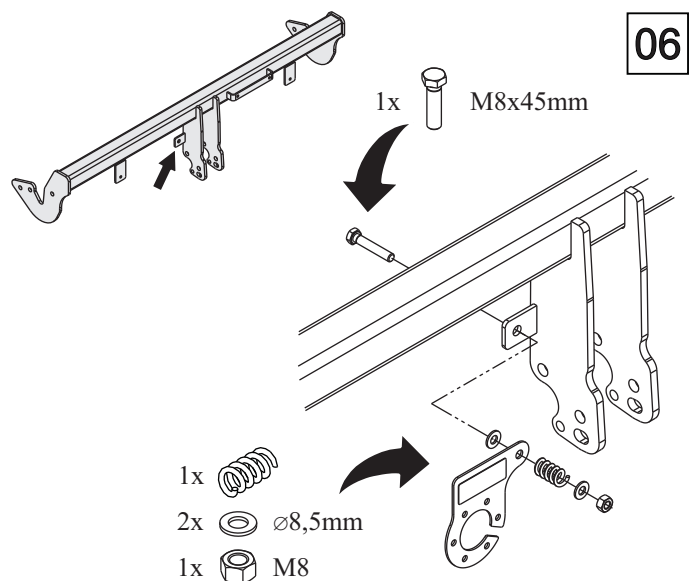
04

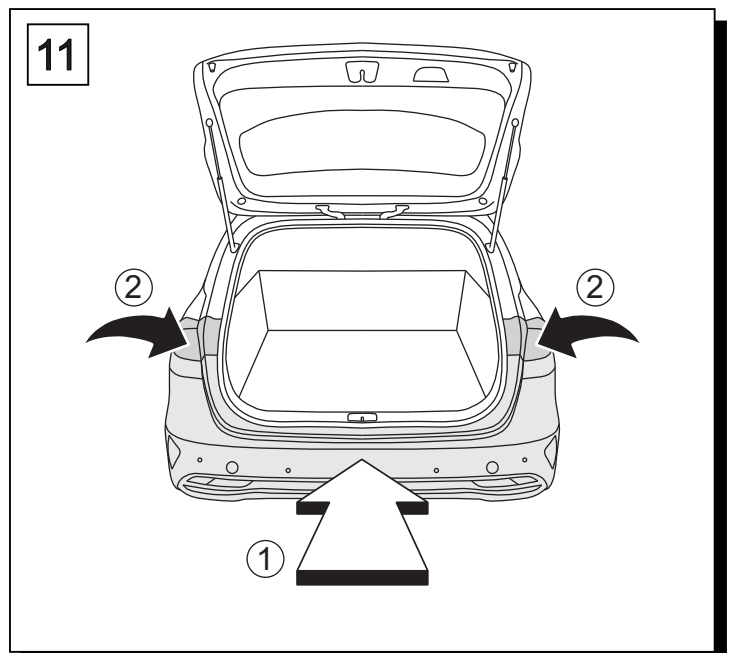
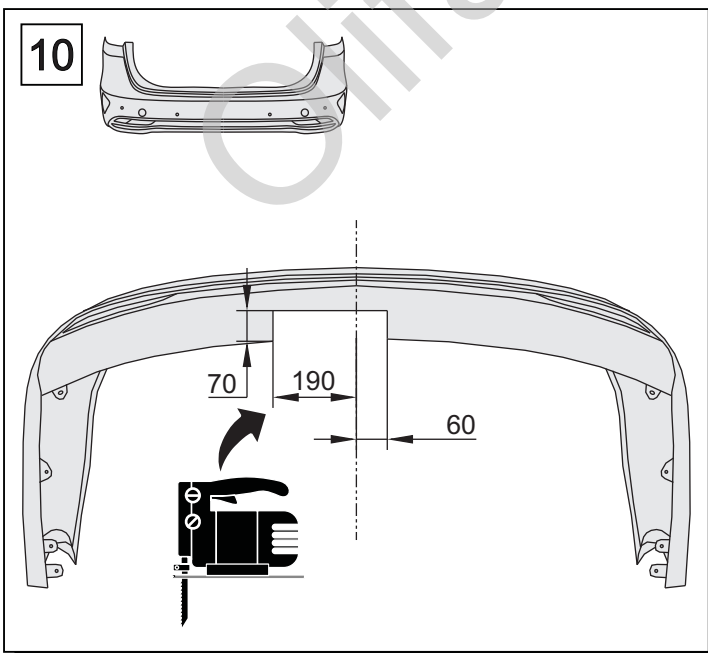
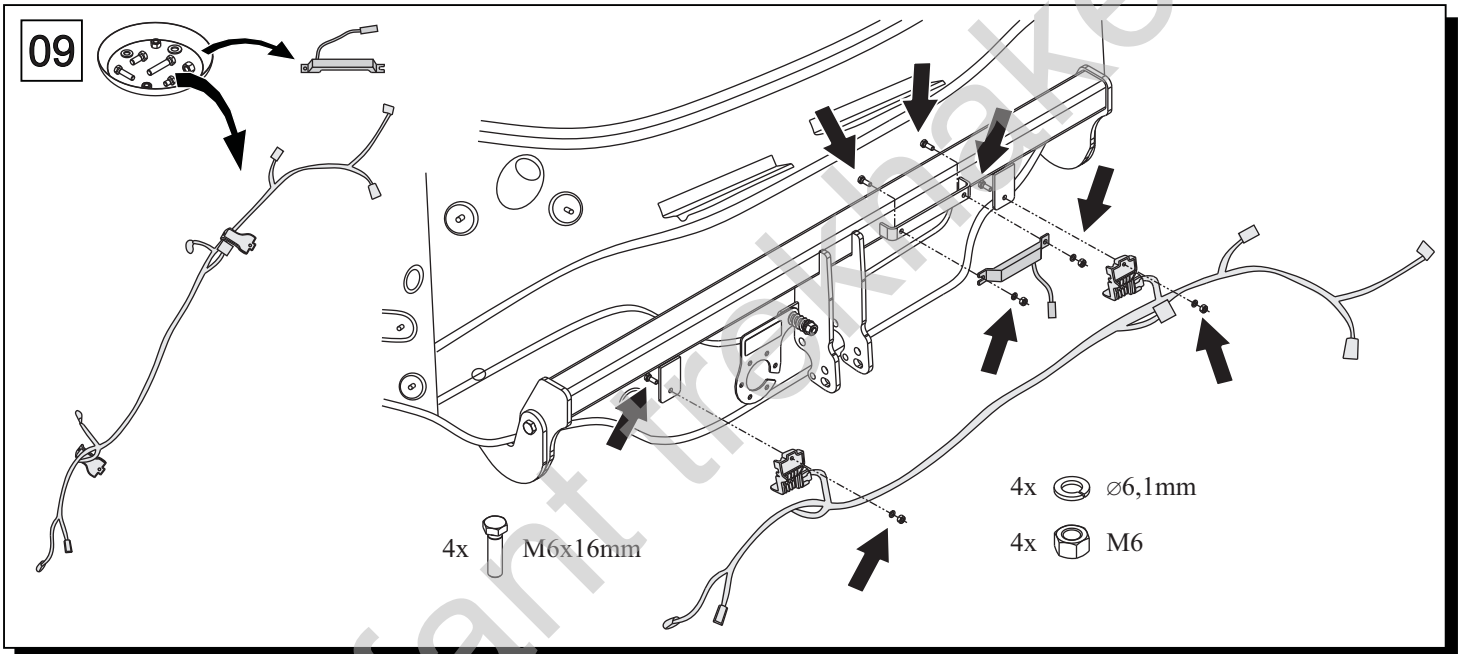
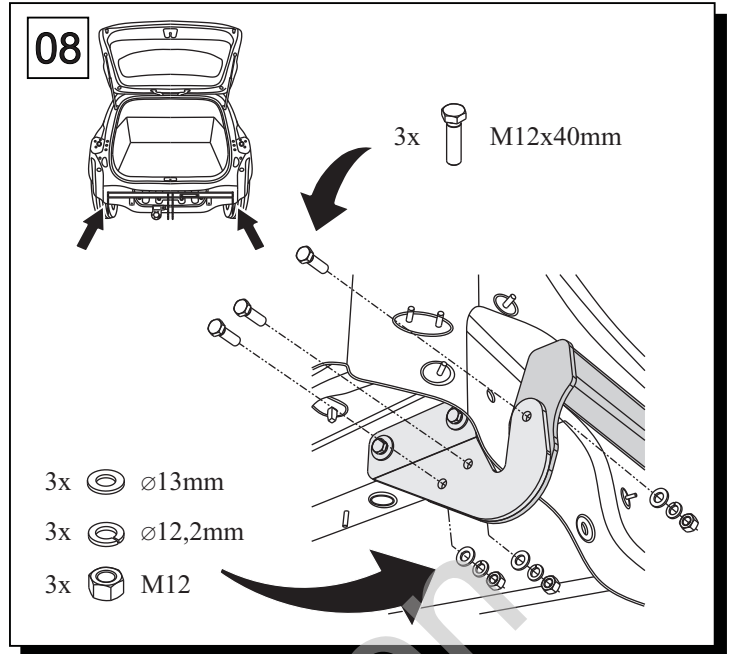
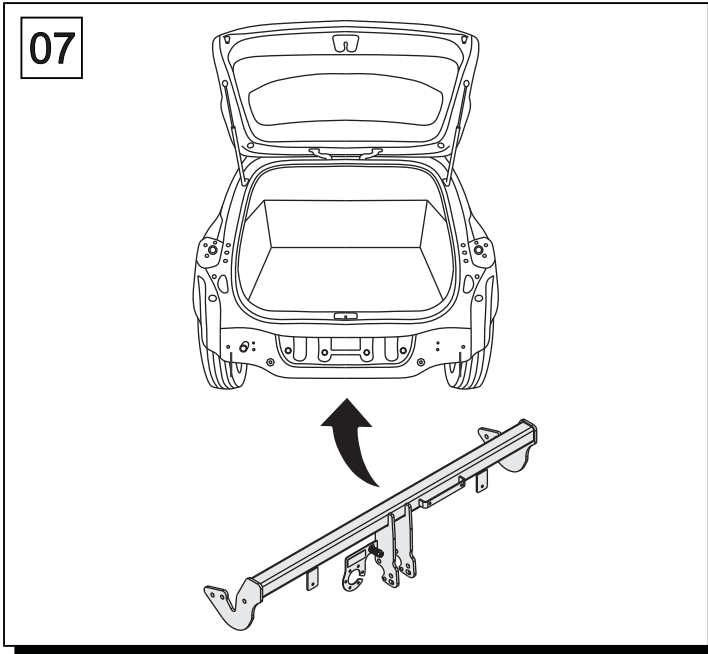


05

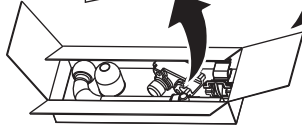
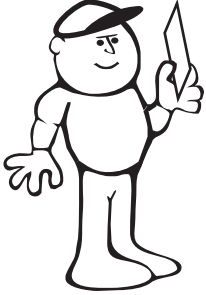
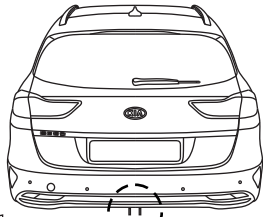
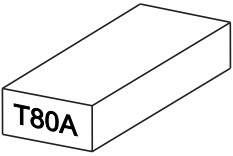


06





12



Olifant trekhaken