

# AUTO-HAK Sp. z o.o.

ul. Słoneczna 16K 76-200 SŁUPSK  
POLAND

tel/fax +48 59 8 414 414; +48 59 8 414 413

e-mail: [office@autohak.com.pl](mailto:office@autohak.com.pl)

[www.autohak.com.pl](http://www.autohak.com.pl)



# AUTO-HAK

## KIA CEED SW KOMBI

Cat. no:

**T80**



07.2018 → 08.2019  
09.2019 →



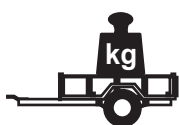
E20-55R-01 5597



2h

**D**

8,41 kN



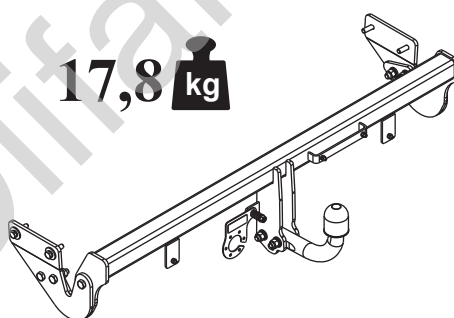
R=1500 kg



S=75 kg



17,8 kg



FULL VERSION INSTRUCTION



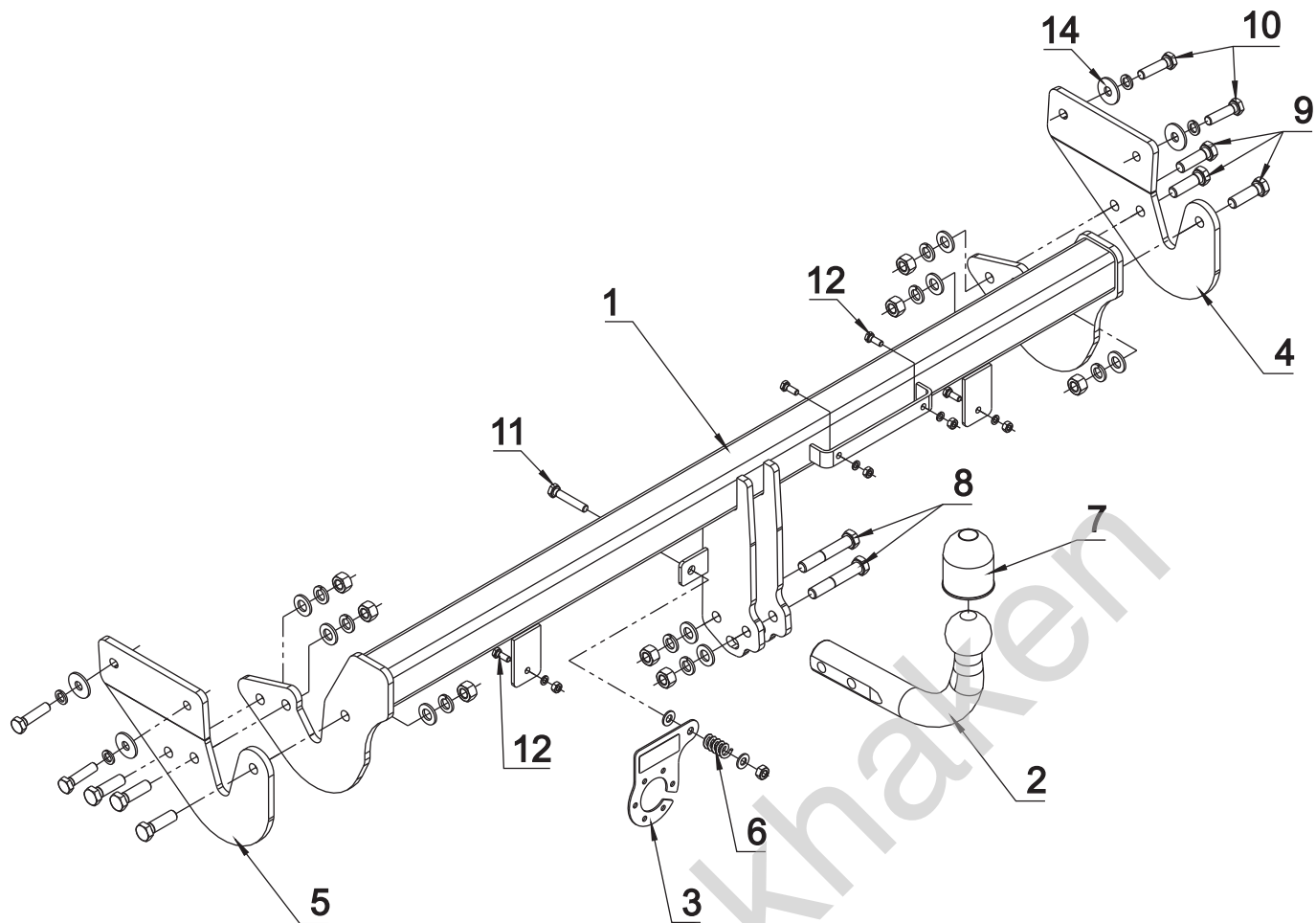
śruba	Nm	M6	M8	M10	M12	M14	M16
klasa 8.8		9,9	24	48	83	132	200
klasa 10.9		14	34	67	117	185	285

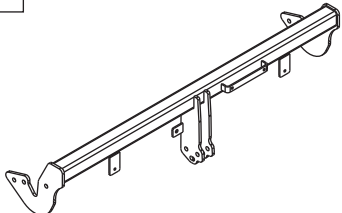

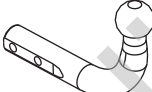




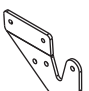

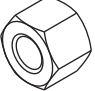



0 km

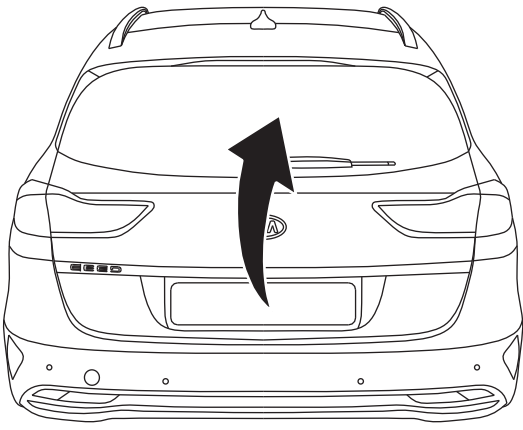


1000 km

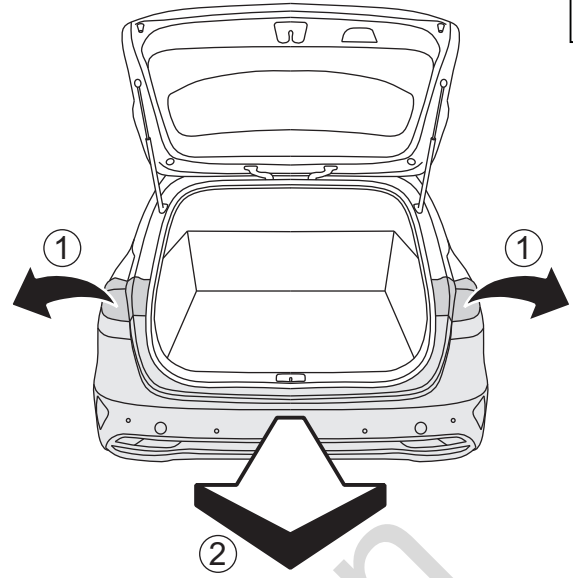


1		x1		8	M12x70	x2
				9	M12x40	x6
				10	M10x1.25x40	x4
				11	M8x45	x1
				12	M6x16	x4
2		x1		13	∅ 13	x8
	Art.nr-KL1T80			14	∅ 30x∅10.5x2.5 10 DIN 9021	4
3		x1		15	∅ 8.5	x2
	Art.nr-BL12T80			16	∅ 12.2	x8
4		x1		17	∅ 10.2	x4
5		x1		18	∅ 6.1	x4
6		x1		19	M12	x8
				20	M8	x1
				21	M6	x4
7		x1				

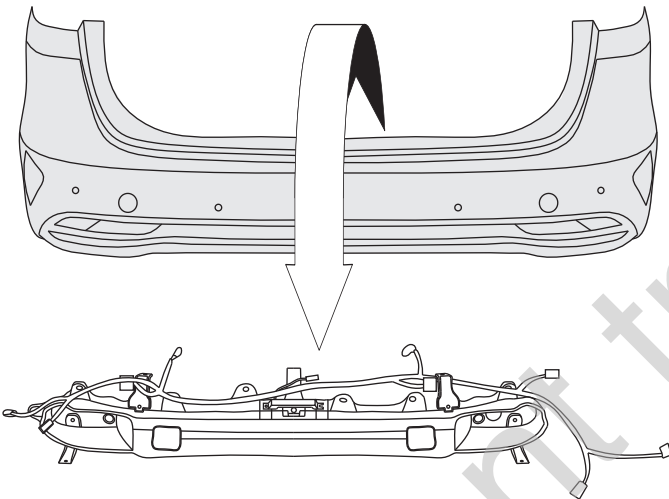
01



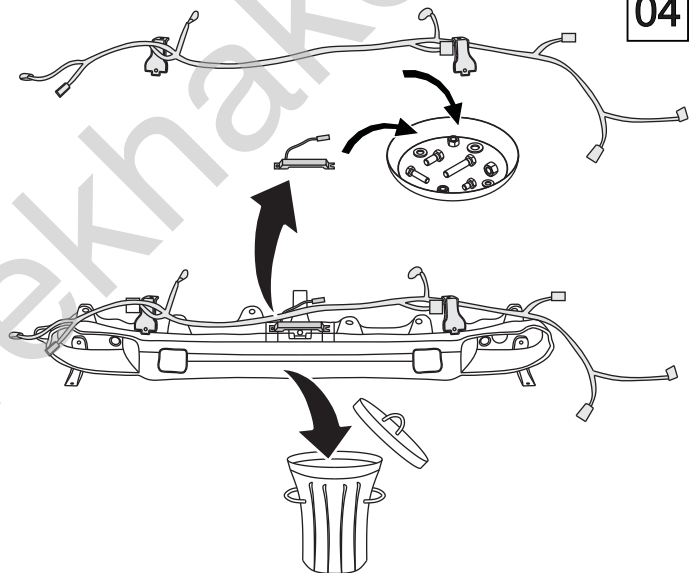
02



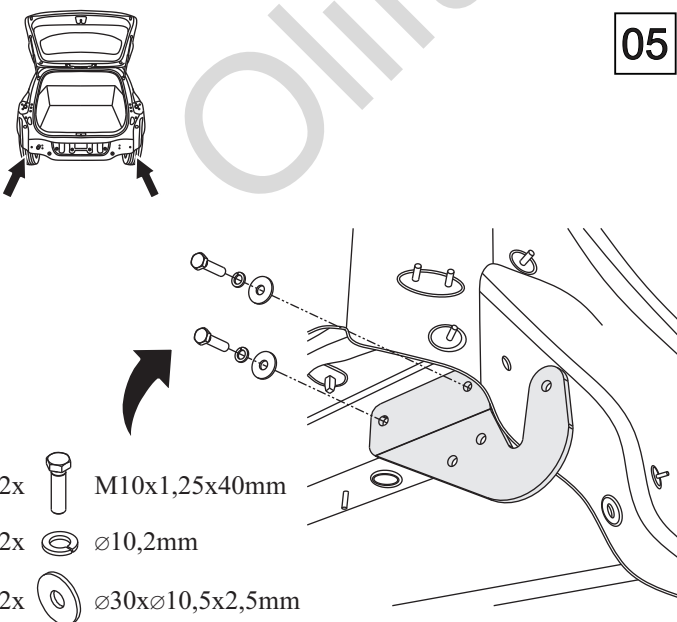
03



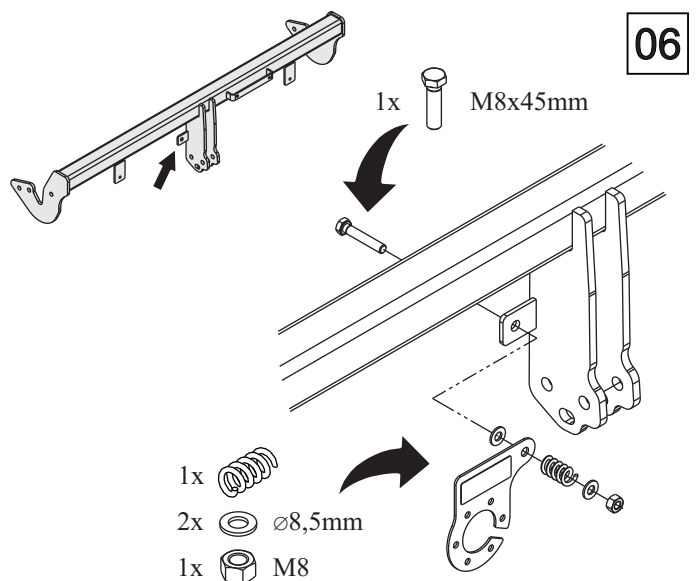
04

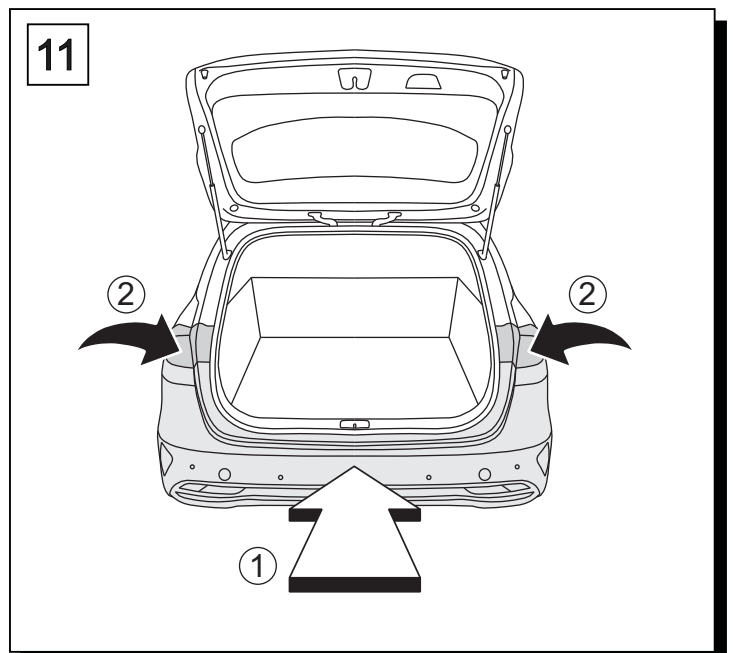
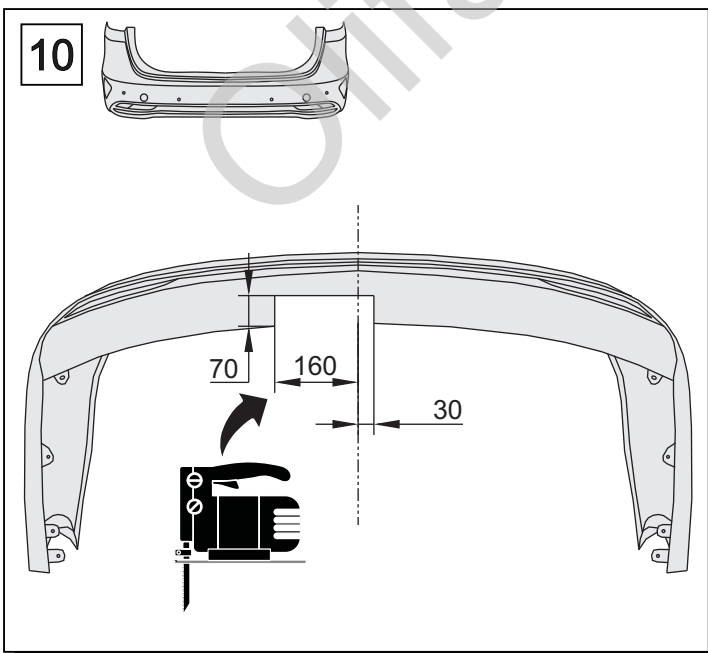
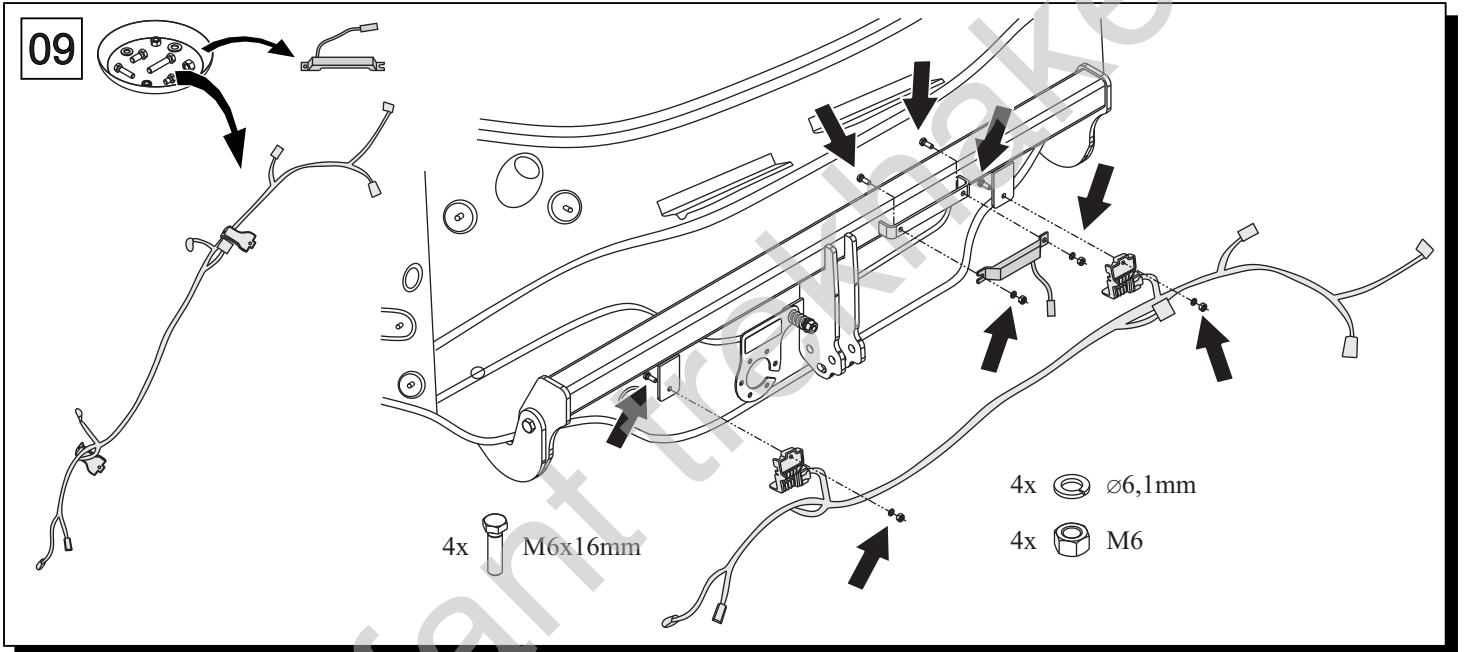
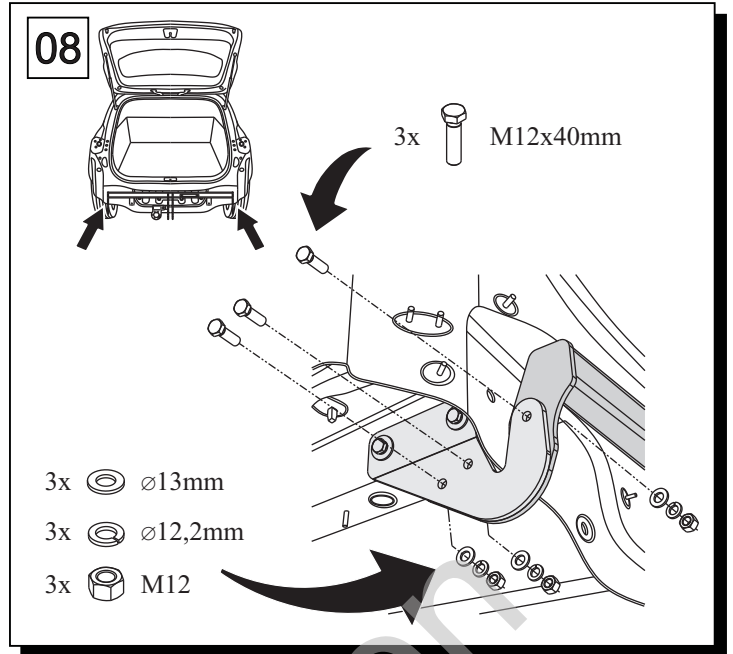
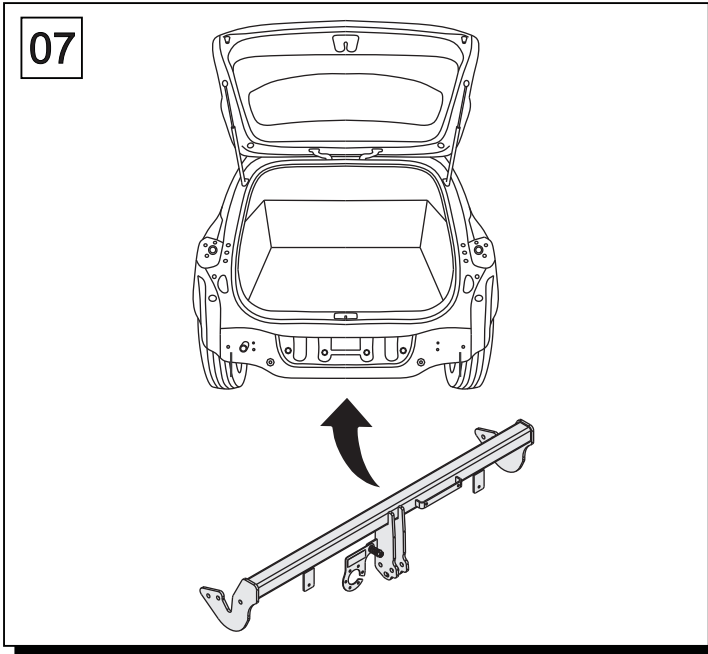


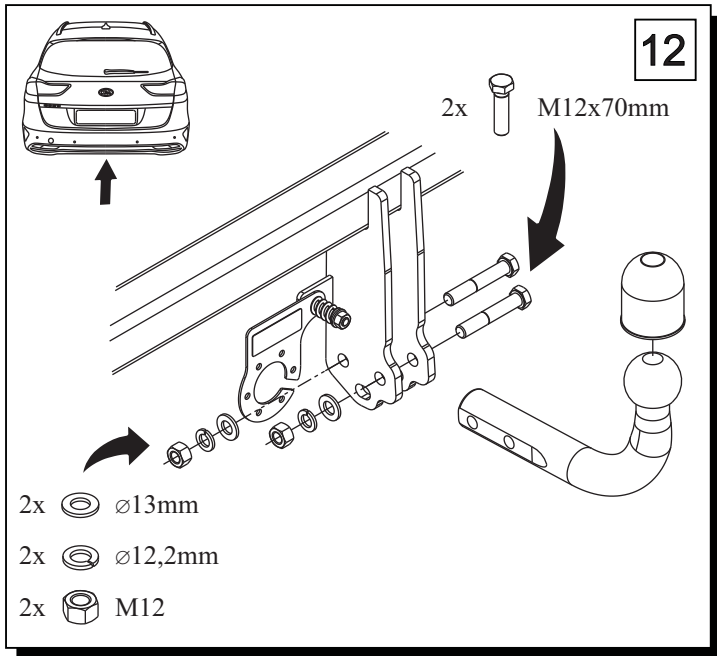
05



06







Olifant trekhaken