

# AUTO-HAK Sp. z o.o.

ul. Słoneczna 16K 76-200 SŁUPSK  
POLAND

tel/fax +48 59 8 414 414; +48 59 8 414 413

e-mail: [office@autohak.com.pl](mailto:office@autohak.com.pl)

[www.autohak.com.pl](http://www.autohak.com.pl)



# AUTO-HAK



## KIA CEE'D III (5d)

Cat. no:

**T79A**



07.2018 → 08.2019  
09.2019 →



E20-55R-01 5594



2h

**D**

8,41 kN



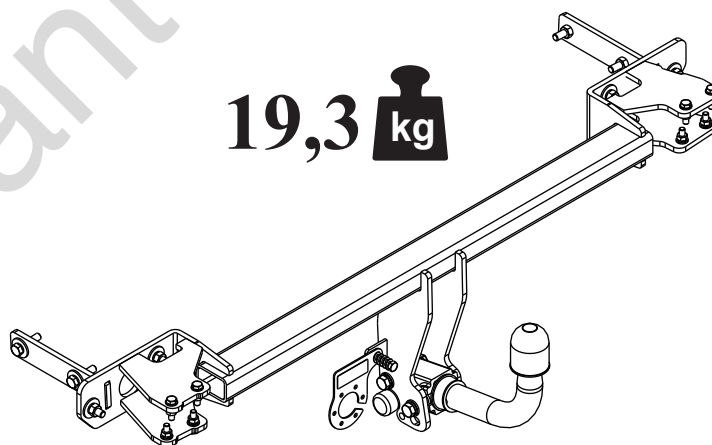
R=1500 kg



S=75 kg



19,3 kg



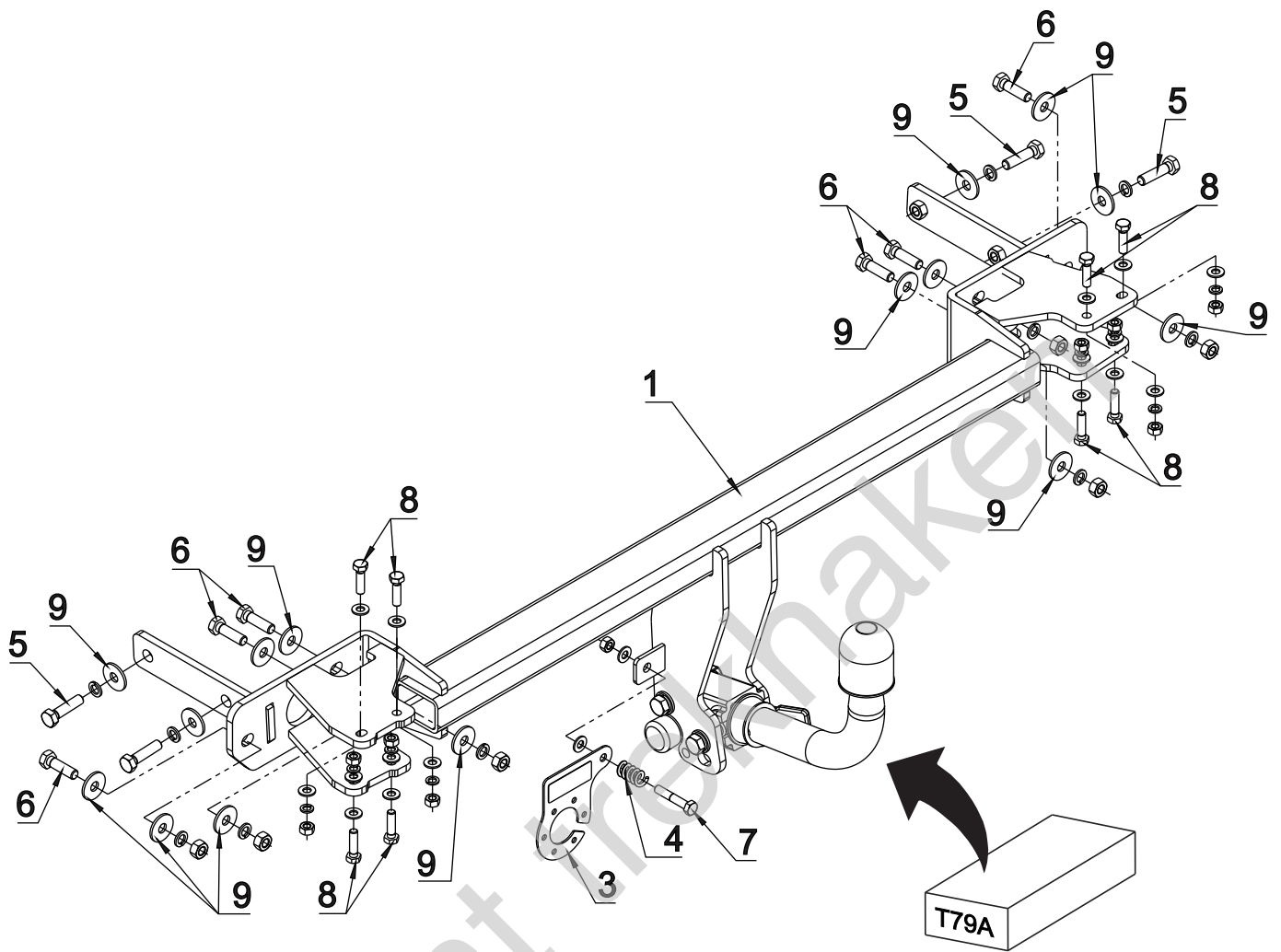
śruba Nm	M6	M8	M10	M12	M14	M16
klasa 8.8	9,9	24	48	83	132	200
klasa 10.9	14	34	67	117	185	285

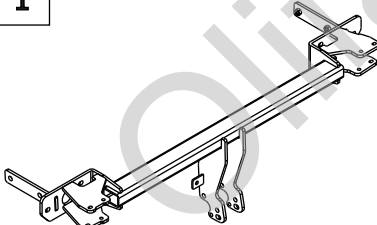




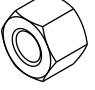

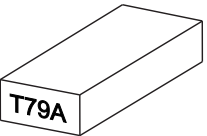
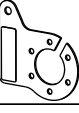
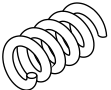


0 km →



1000 km



	<b>1</b>	<b>x 1</b>	     	<b>5</b> M10x40	<b>x 4</b>
				<b>6</b> M10x35	<b>x 6</b>
				<b>7</b> M8x45	<b>x 1</b>
				<b>8</b> M8x30	<b>x 8</b>
				<b>9</b> $\phi$ 30x $\phi$ 10.5x2.5 10 DIN 9021	<b>x 16</b>
	<b>2</b>	<b>x 1</b>		<b>10</b> $\phi$ 8.5	<b>x 18</b>
Art.nr-KL1T79A				<b>11</b> $\phi$ 10.2	<b>x 10</b>
	<b>3</b>	<b>x 1</b>		<b>12</b> $\phi$ 8.2	<b>x 8</b>
Art.nr-BL1T79A				<b>13</b> M10	<b>x 6</b>
	<b>4</b>	<b>x 1</b>		<b>14</b> M8	<b>x 9</b>

