

PPUH AUTO-HAK Sp.J.

Henryk i Zbigniew Nejman
ul. Słoneczna 16K 76-200 SŁUPSK
POLAND

tel/fax +48 59 8 414 414; +48 59 8 414 413

e-mail: office@autohak.com.pl

www.autohak.com.pl



AUTO-HAK

KIA SPORTAGE IV

Nr kat.

T78A



07.2018 → 09.2021



E20-55R-01 5552



11,0 kN



R=2200 kg



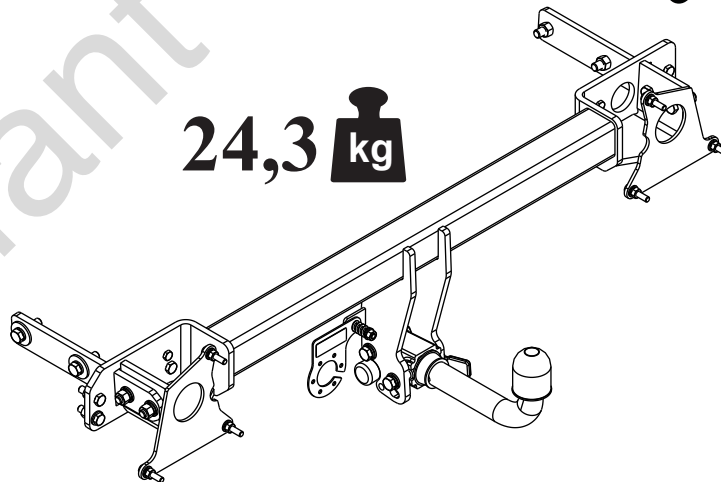
S=100 kg



2h



24,3 kg



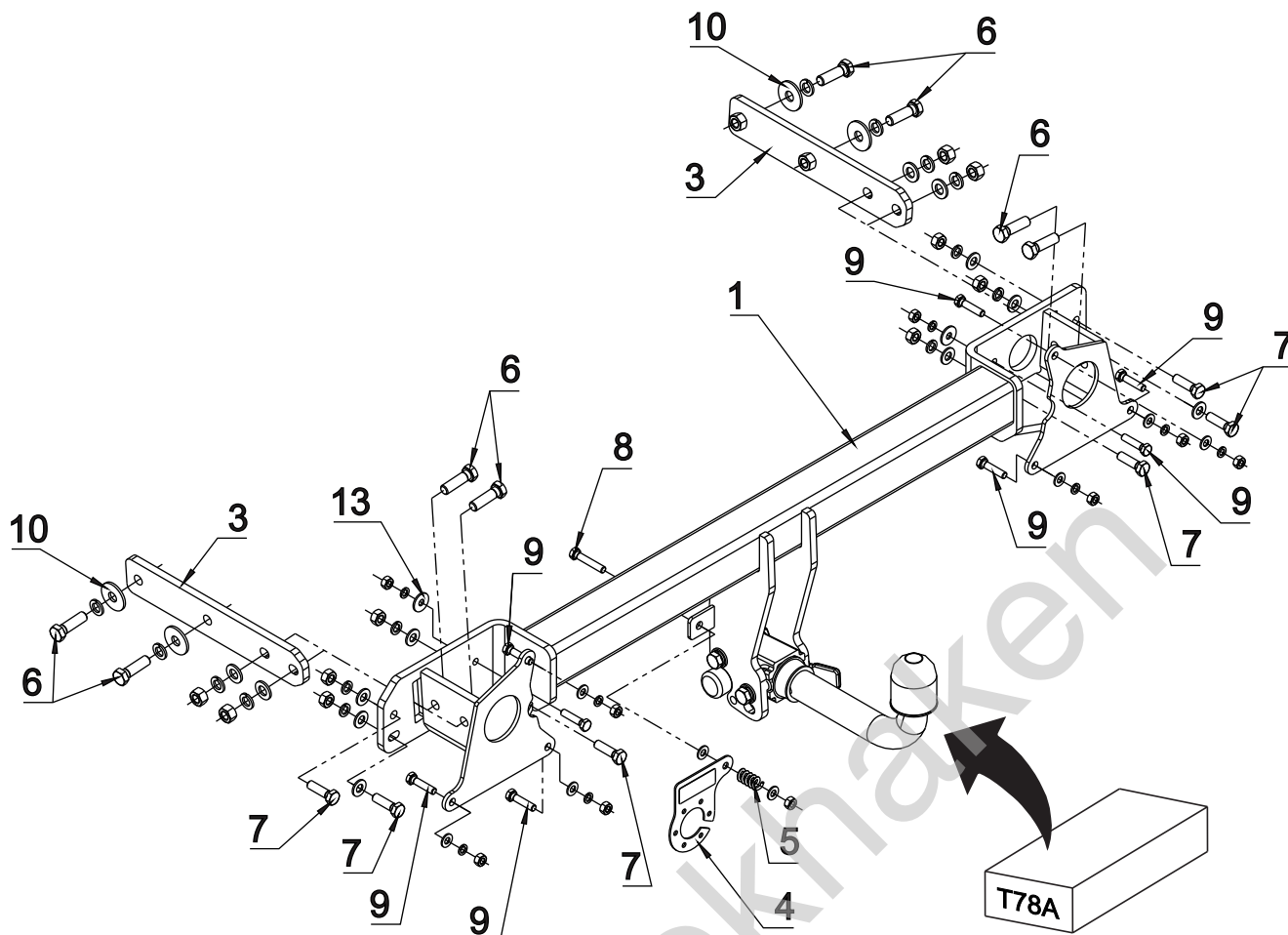
śruba	Nm	M6	M8	M10	M12	M14	M16
klasa 8.8		9,9	24	48	83	132	200
klasa 10.9		14	34	67	117	185	285

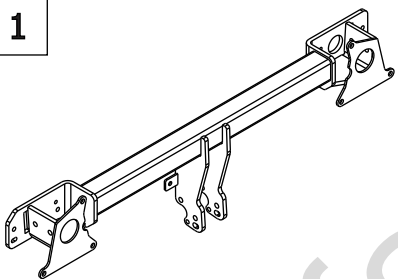

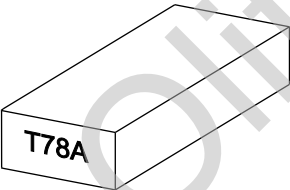
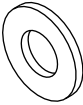
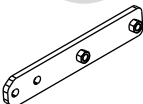

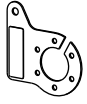

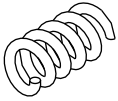

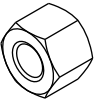


0 km →

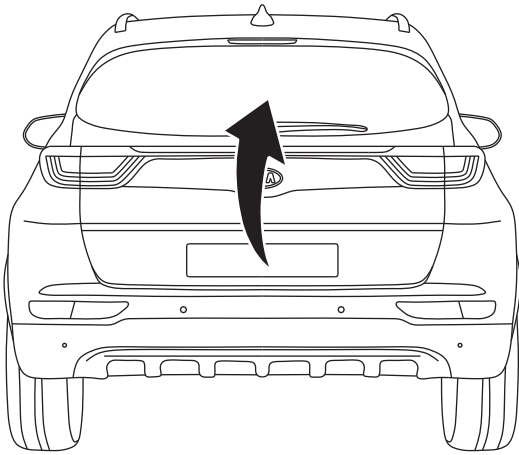


1000 km

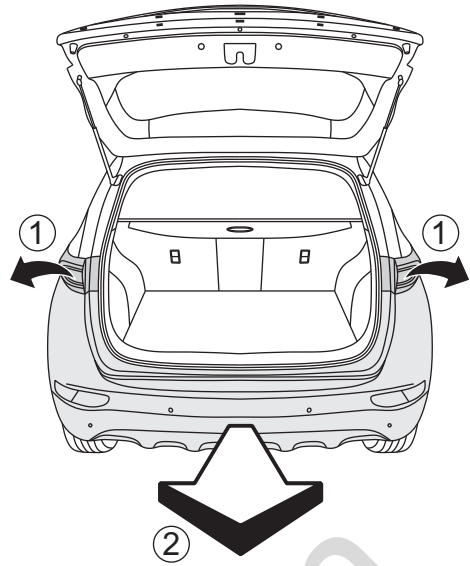


	1	x1		6	M12x40	x8	
				7	M10x35	x6	
				8	M8x45	x1	
				9	M8x35	x8	
	 Art.nr-KL1T78A	2	x1		10	$\varnothing 37 \times \varnothing 13 \times 3$ 13 DIN 9021	x4
			11		$\varnothing 13$	x4	
		3	x2		12	$\varnothing 10.5$	x8
					13	$\varnothing 24 \times \varnothing 8.4 \times 2$ 8 DIN 9021	x2
	 Art.nr-BL12T78A	4	x1		14	$\varnothing 8.5$	x8
					15	$\varnothing 12.2$	x8
		5	x1		16	$\varnothing 10.2$	x6
					17	$\varnothing 8.2$	x8
					18	M12	x4
					19	M10	x6
					20	M8	x9

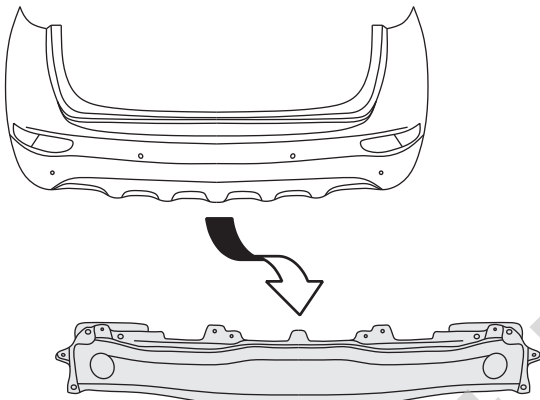
01



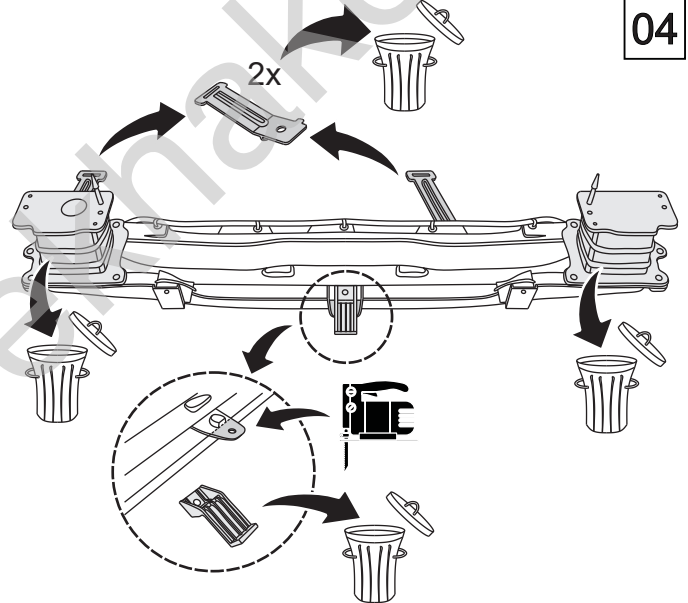
02



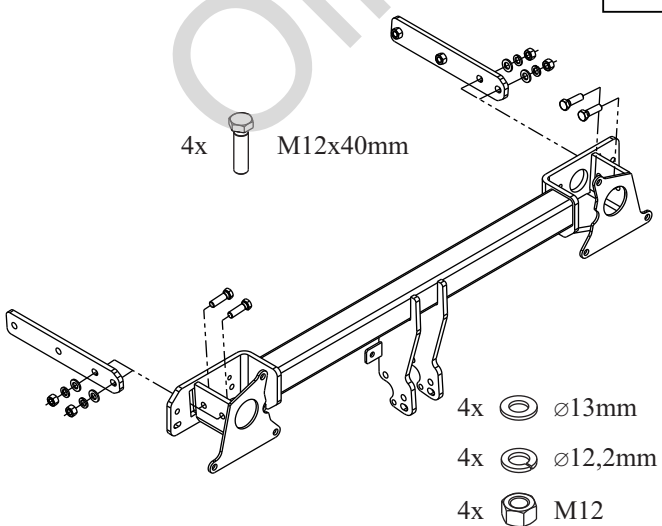
03



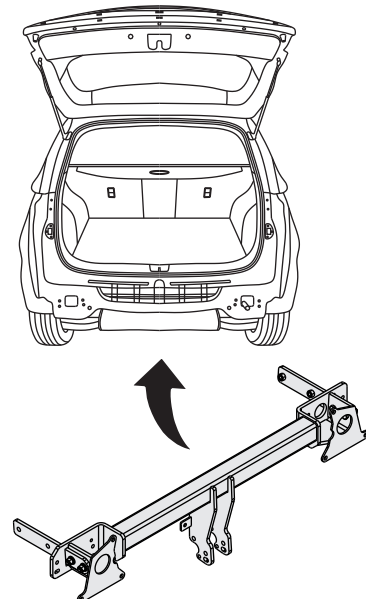
04

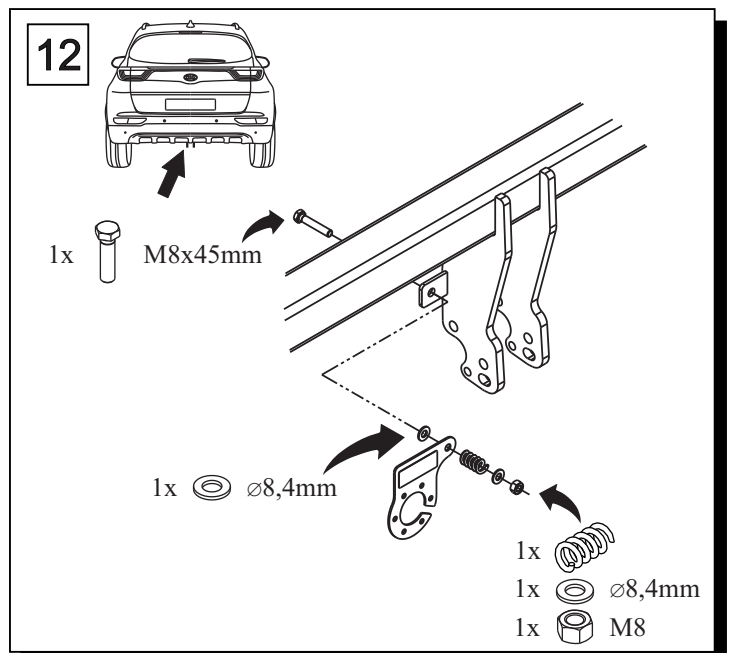
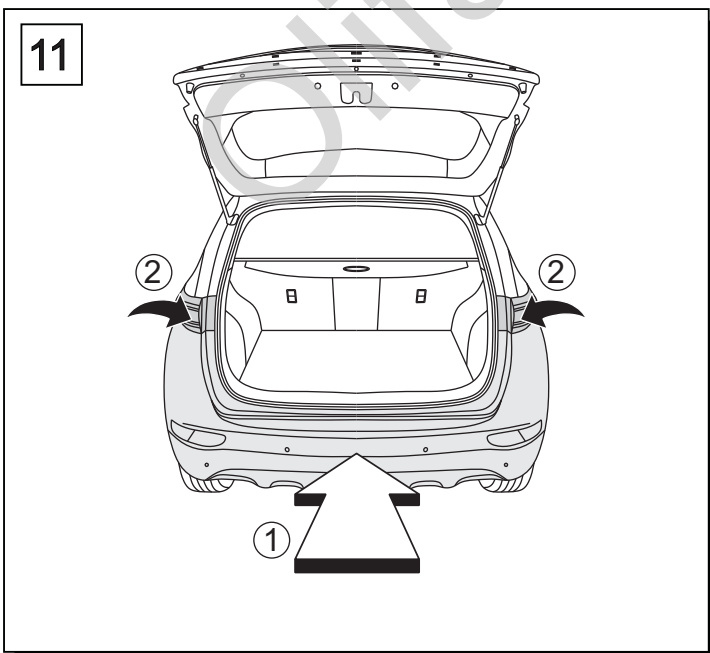
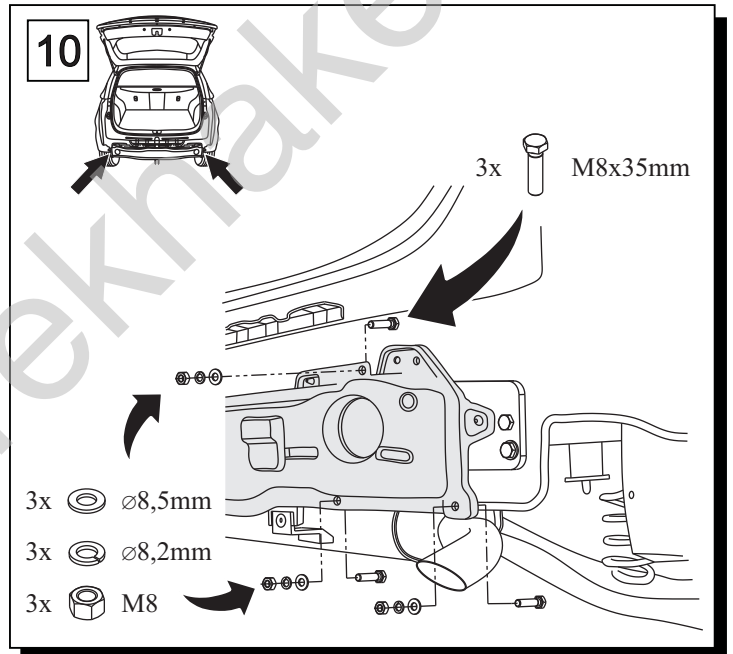
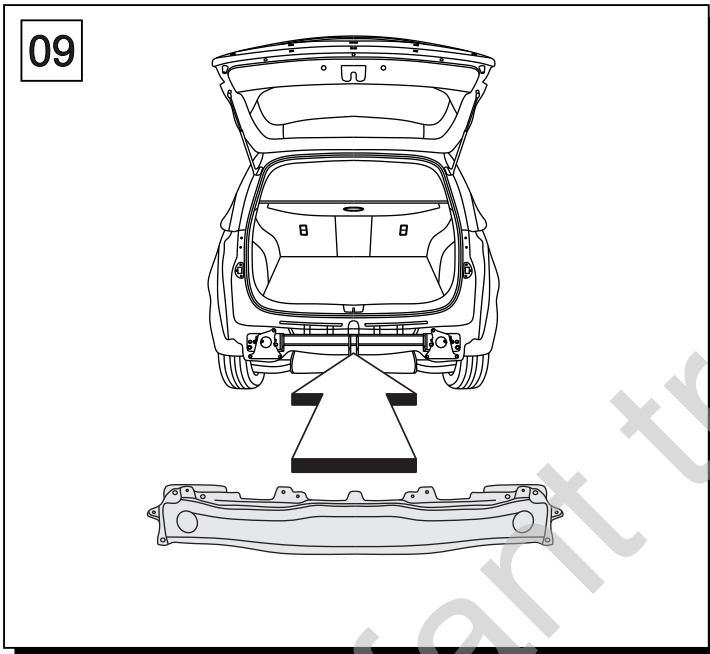
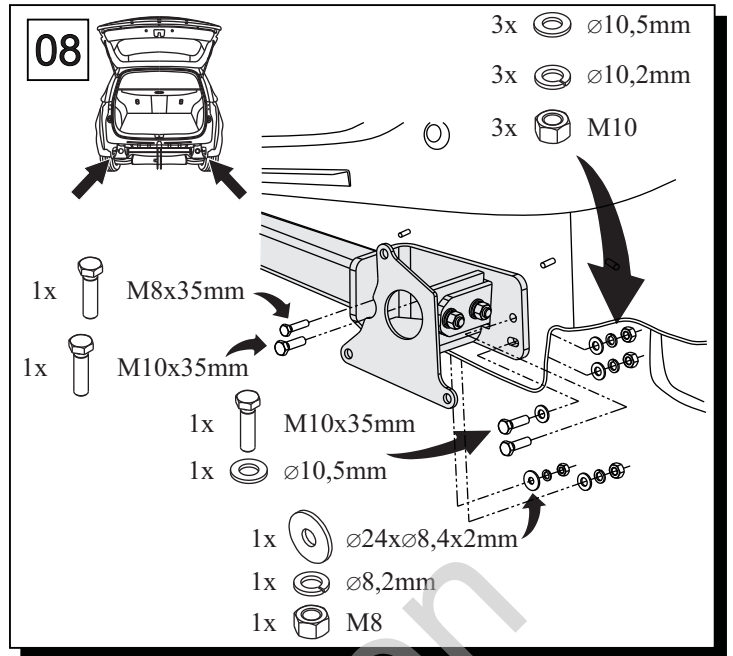
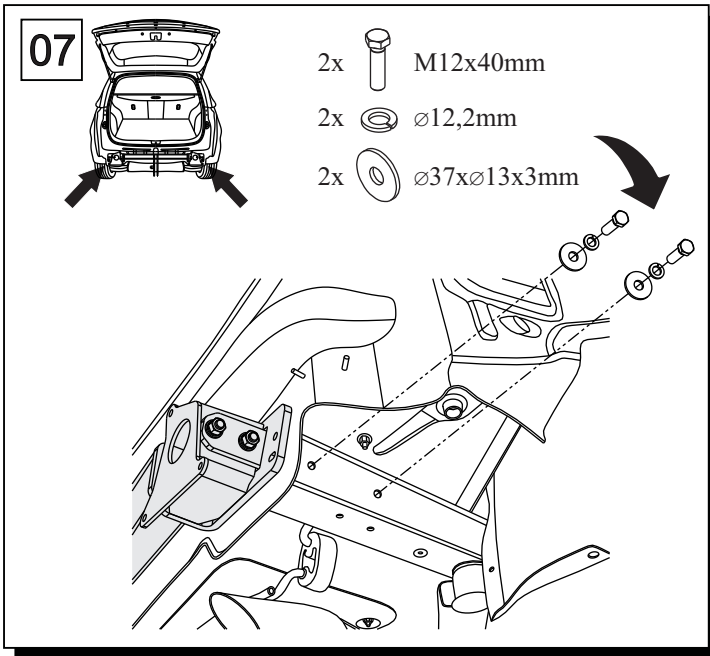


05

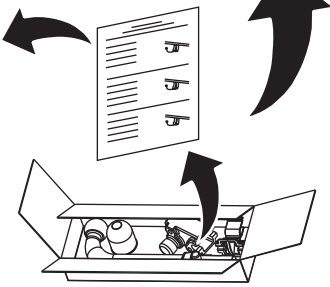
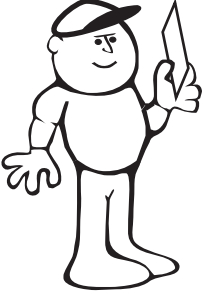
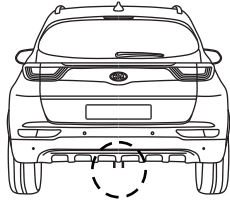
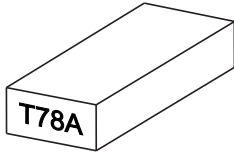


06





13



Olifant trekhaken