

# PPUH AUTO-HAK Sp.J.

Henryk i Zbigniew Nejman  
ul. Słoneczna 16K 76-200 SŁUPSK  
POLAND

tel/fax +48 59 8 414 414; +48 59 8 414 413

e-mail: [office@autohak.com.pl](mailto:office@autohak.com.pl)

[www.autohak.com.pl](http://www.autohak.com.pl)



# AUTO-HAK



**KIA RIO IV 5D**  
~~GT Line~~

Cat. no:

**T76A**



**01.2017** →



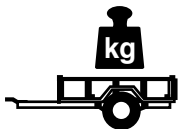
**E20-55R-01 5060**



**2h**



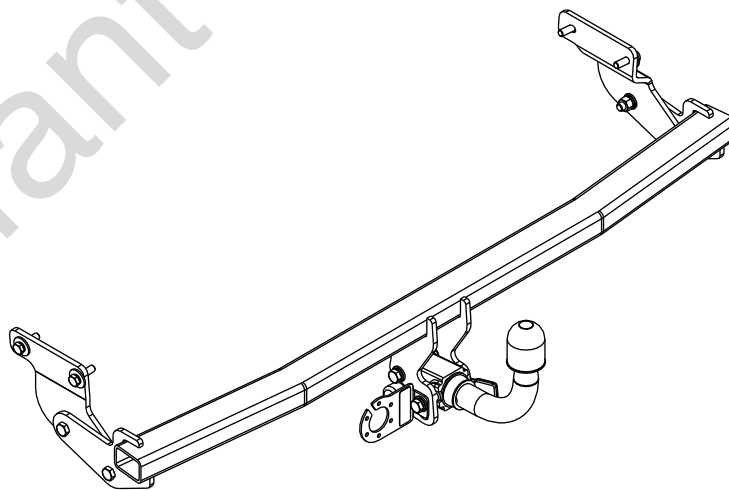
**7,90 kN**



**R=1250 kg**



**S=75 kg**



**M6** - 8,5 Nm  
**M10** - 41 Nm  
**M14** - 112 Nm

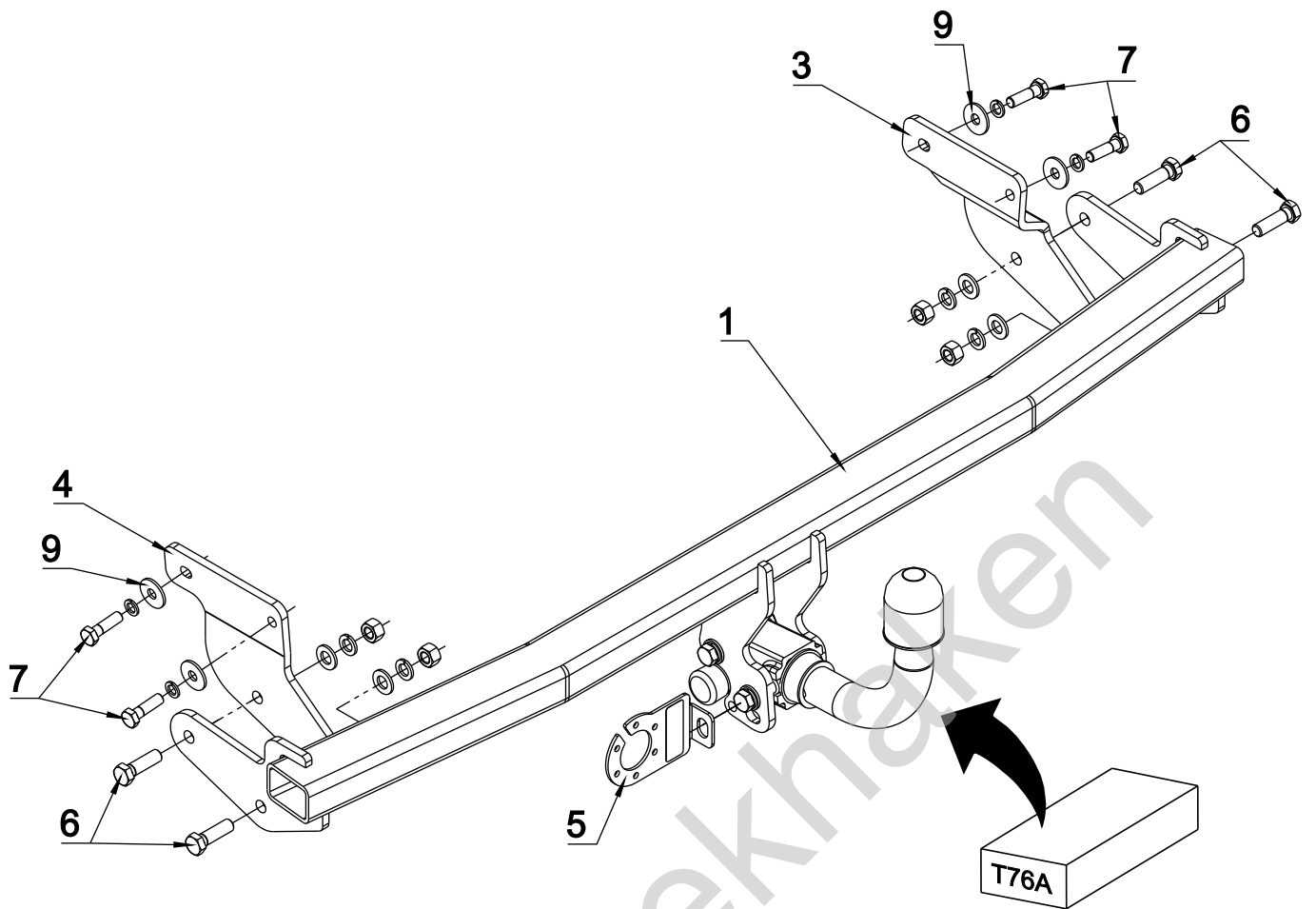
**M8** - 20 Nm  
**M12** - 70 Nm  
**M16** - 170 Nm

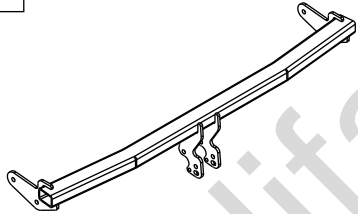




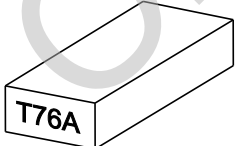



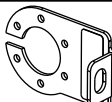


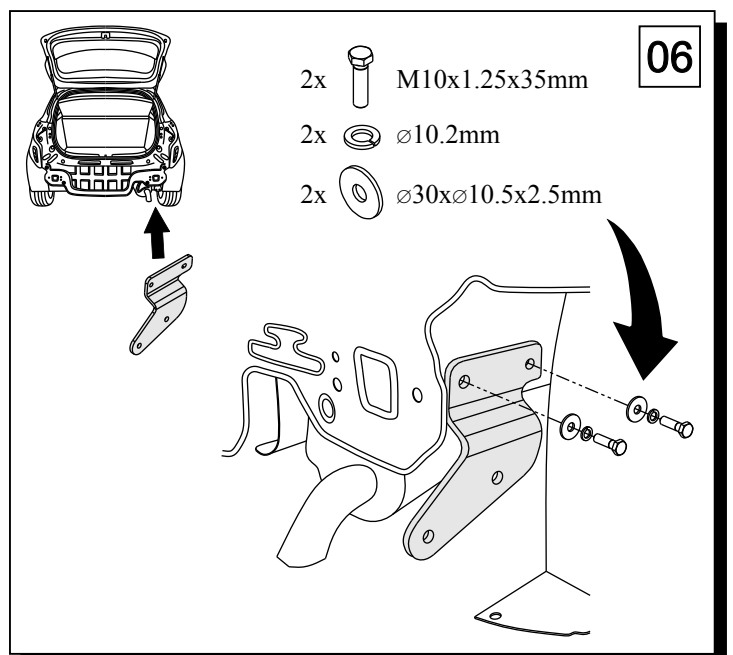
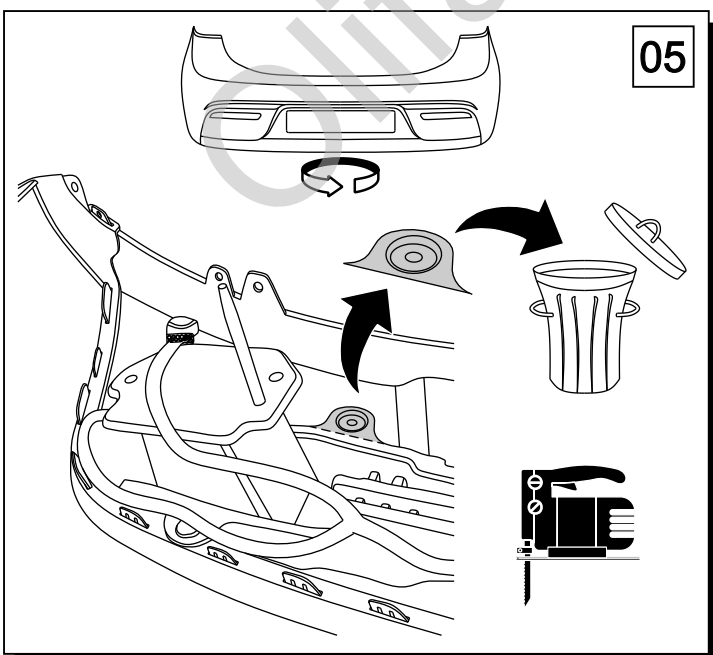
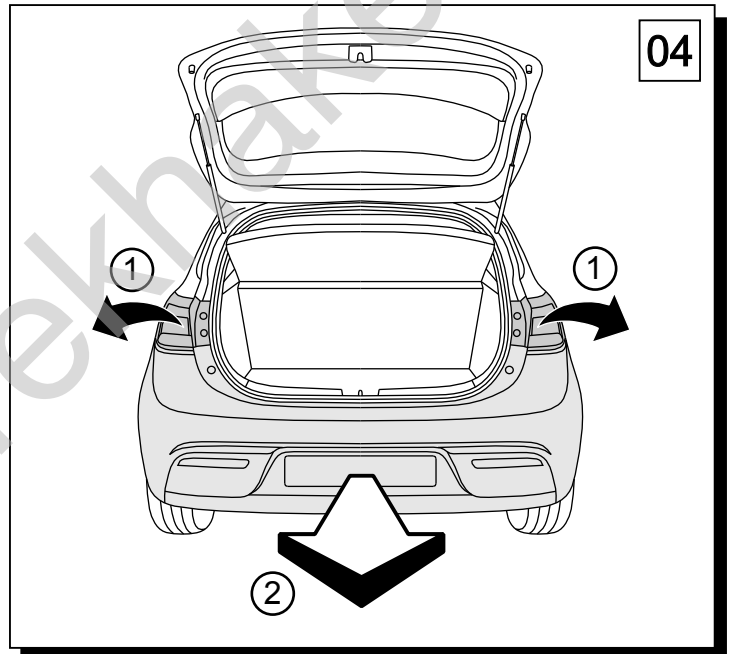
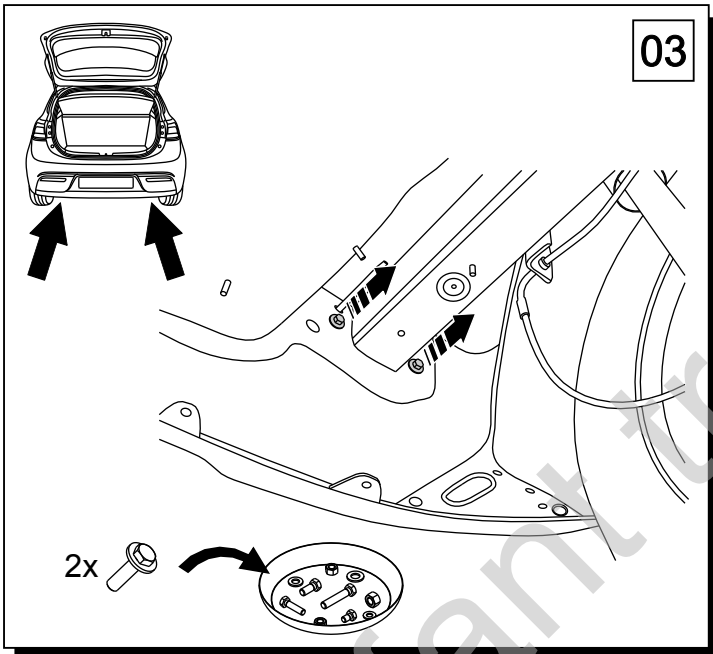
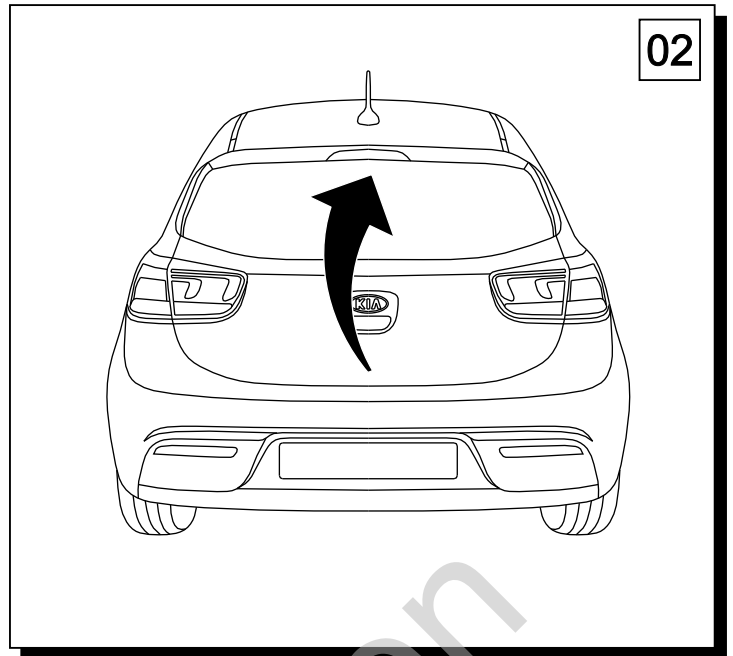
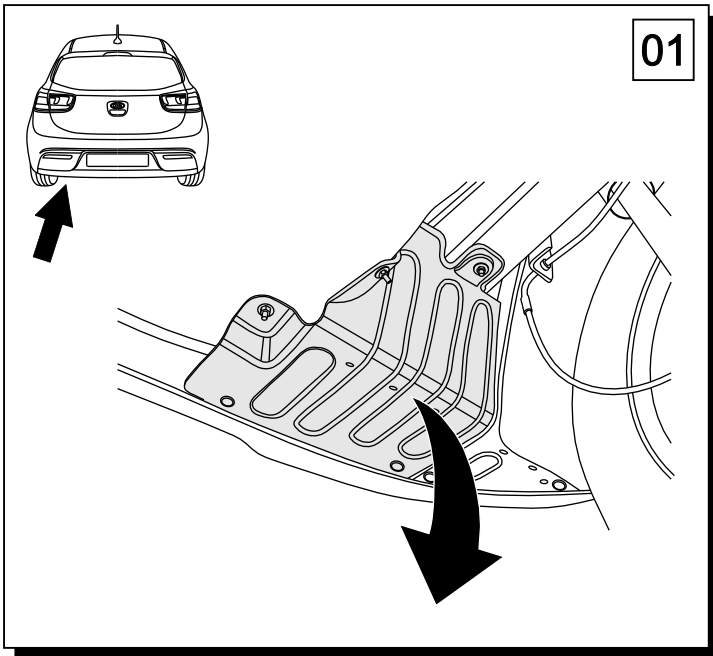
**0 km** →

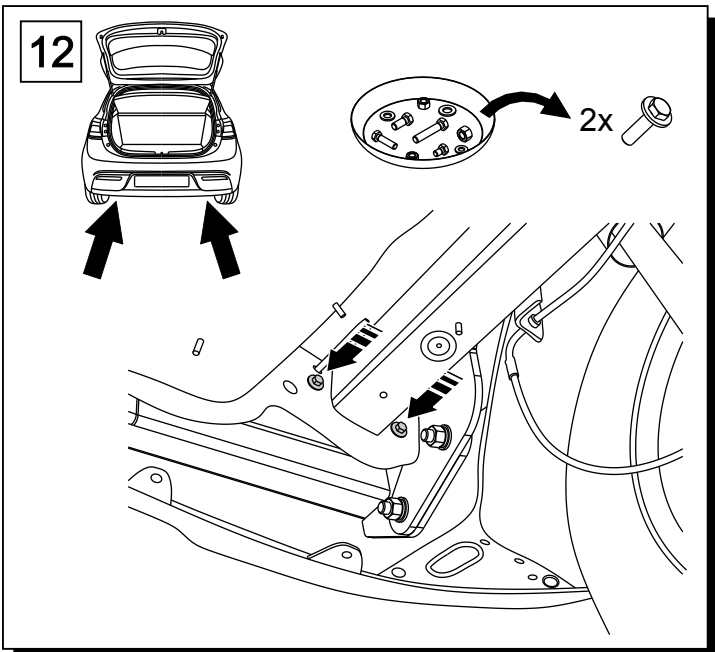
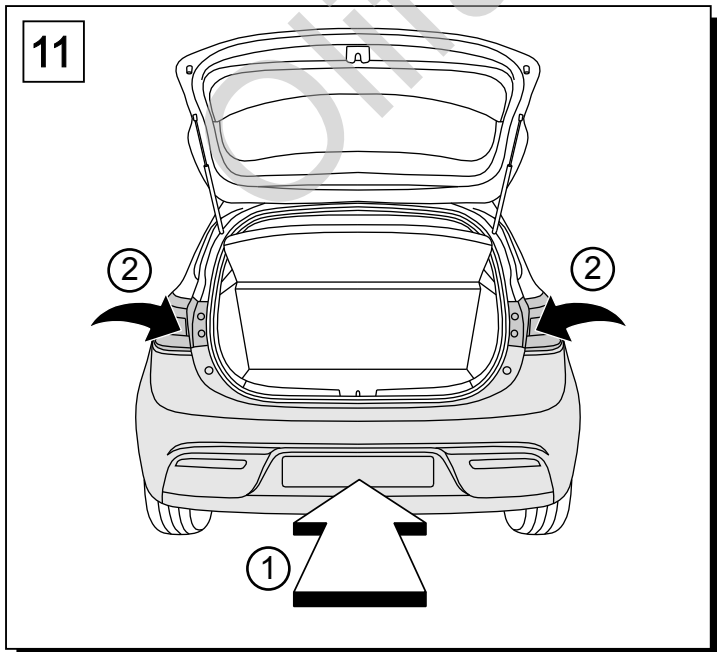
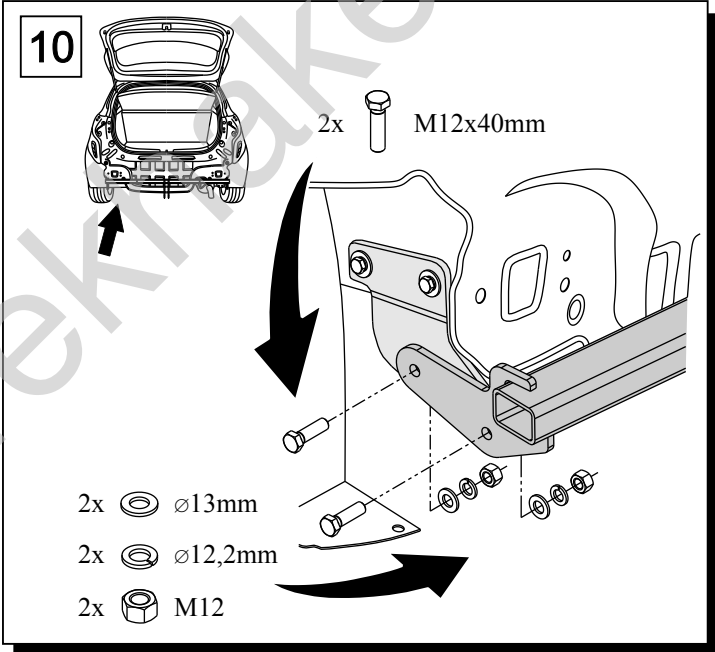
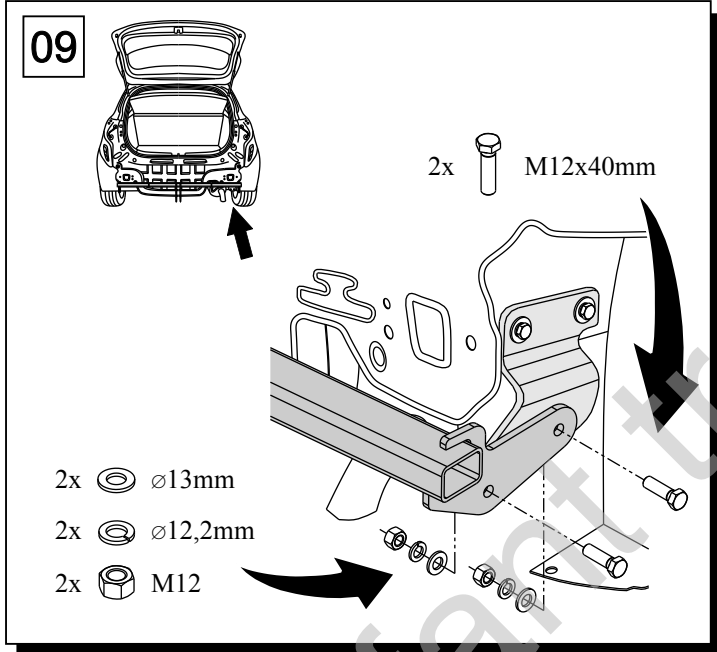
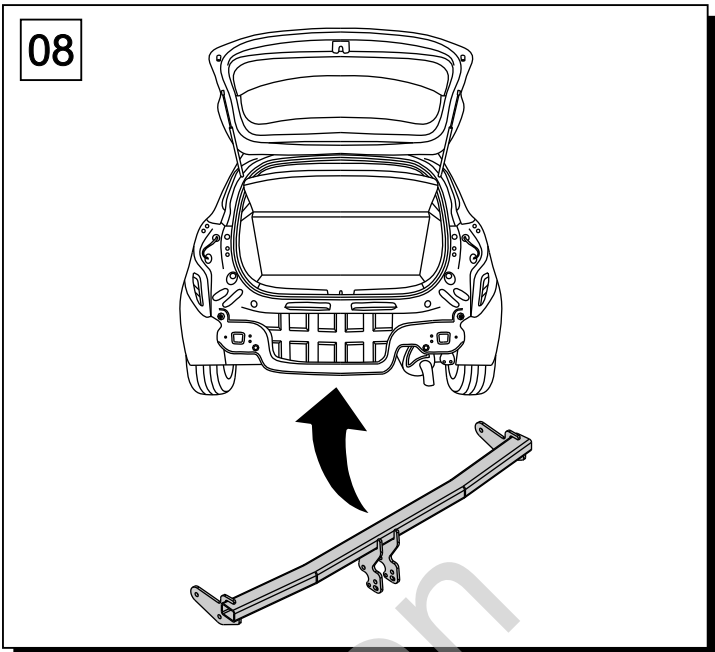
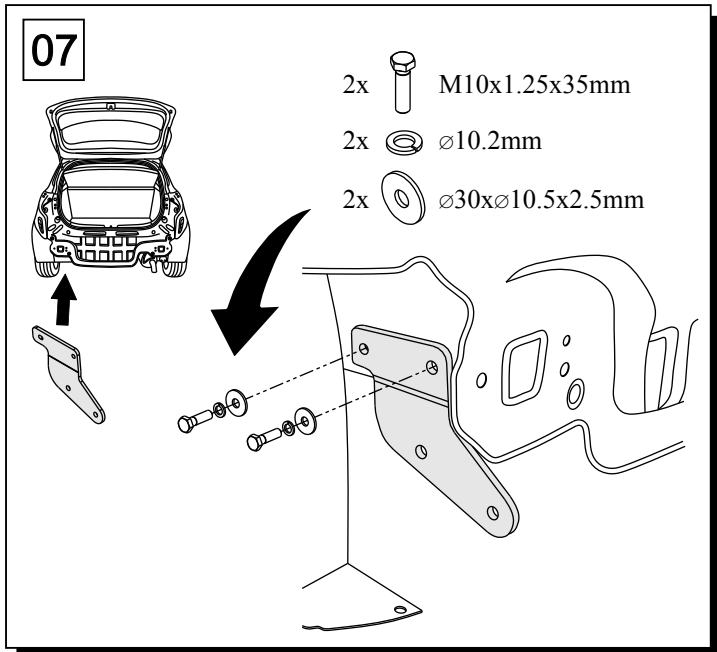


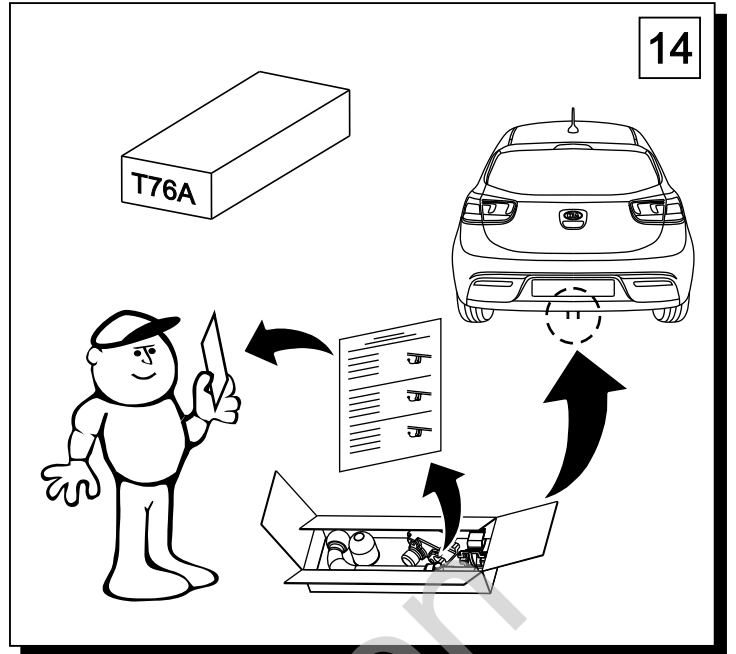
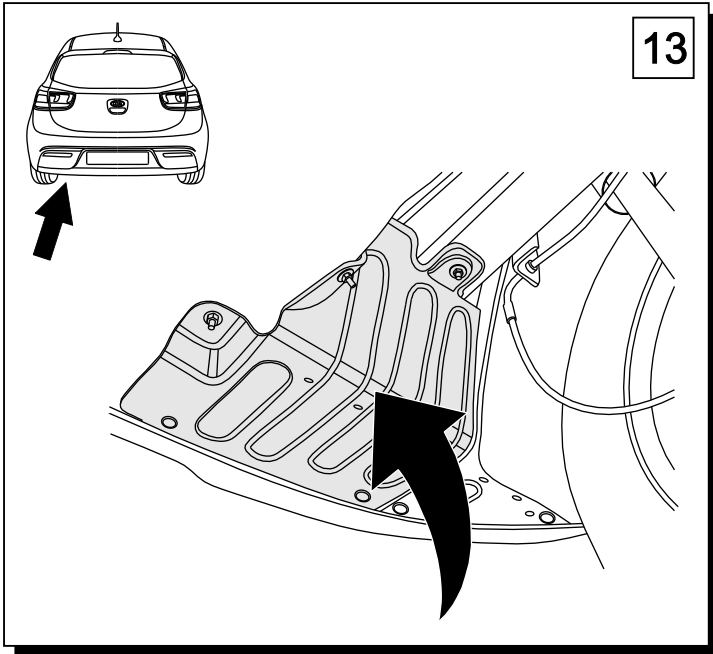
**1000 km**



	<b>x1</b>		<b>6</b> M12x40	<b>x4</b>
			<b>7</b> M10x1.25x35	<b>x4</b>
			<b>8</b> $\varnothing$ 13	<b>x4</b>
			<b>9</b> $\varnothing$ 30x $\varnothing$ 10.5x2.5 <b>10</b> DIN 9021	<b>4</b>
	<b>x1</b>		<b>10</b> $\varnothing$ 12.2	<b>x4</b>
			<b>11</b> $\varnothing$ 10.2	<b>x4</b>
			<b>12</b> M12	<b>x4</b>
<b>3</b>	<b>x1</b>			
<b>4</b>	<b>x1</b>			
	<b>x1</b>		<b>Art.nr-BL1T76A</b>	







Olifant trekhakeri