

PPUH AUTO-HAK Sp.J.

Henryk i Zbigniew Nejman
ul. Słoneczna 16K 76-200 SŁUPSK
POLAND

tel/fax +48 59 8 414 414; +48 59 8 414 413

e-mail: office@autohak.com.pl

www.autohak.com.pl



AUTO-HAK



KIA RIO IV 5D
~~GT-Line~~

Cat. no:

T76



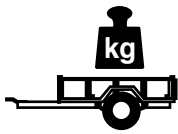
01.2017 →



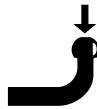
E20-55R-01 5059



7,90 kN



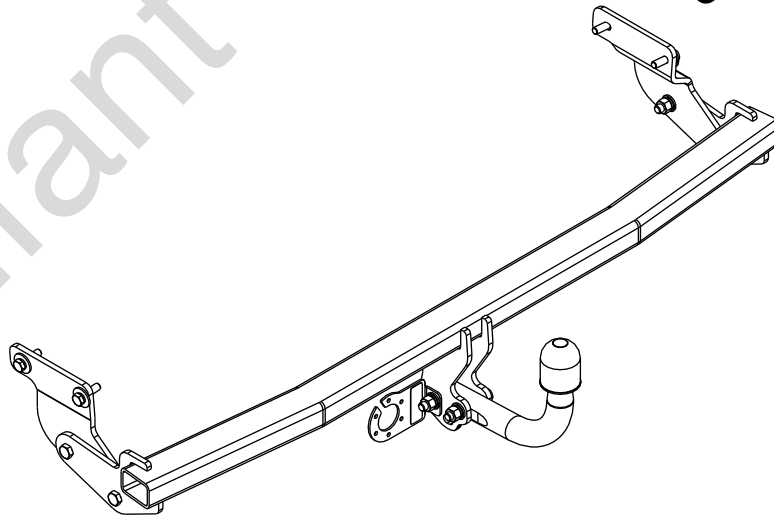
R=1250 kg



S=75 kg



2h



M6 - 8,5 Nm
M10 - 41 Nm
M14 - 112 Nm

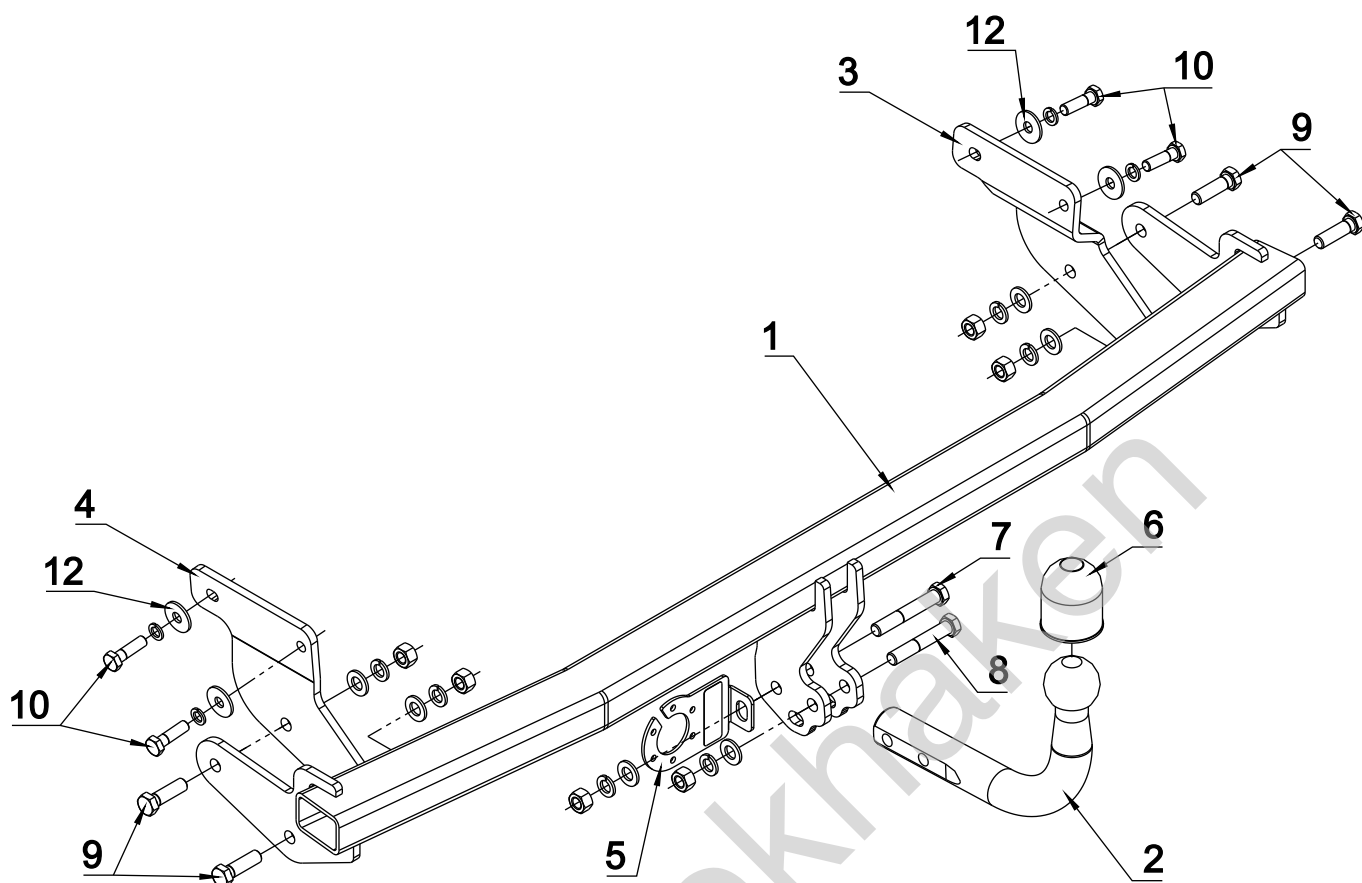
M8 - 20 Nm
M12 - 70 Nm
M16 - 170 Nm

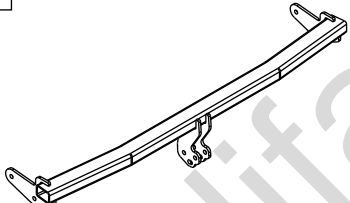
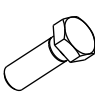

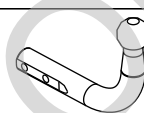



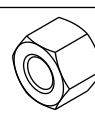
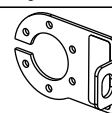



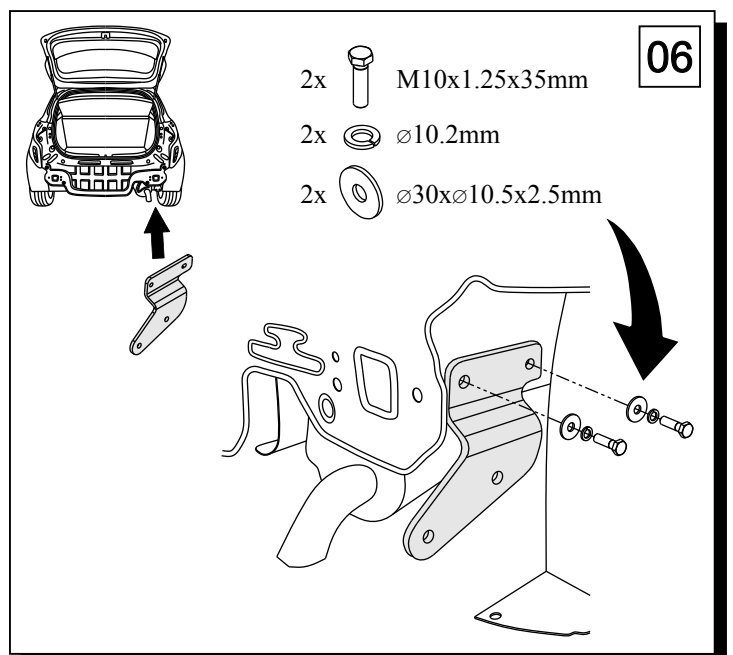
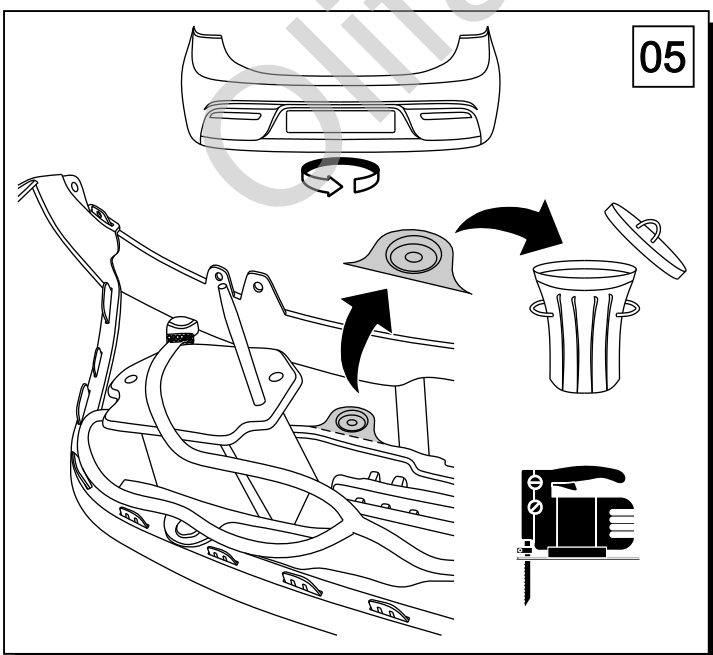
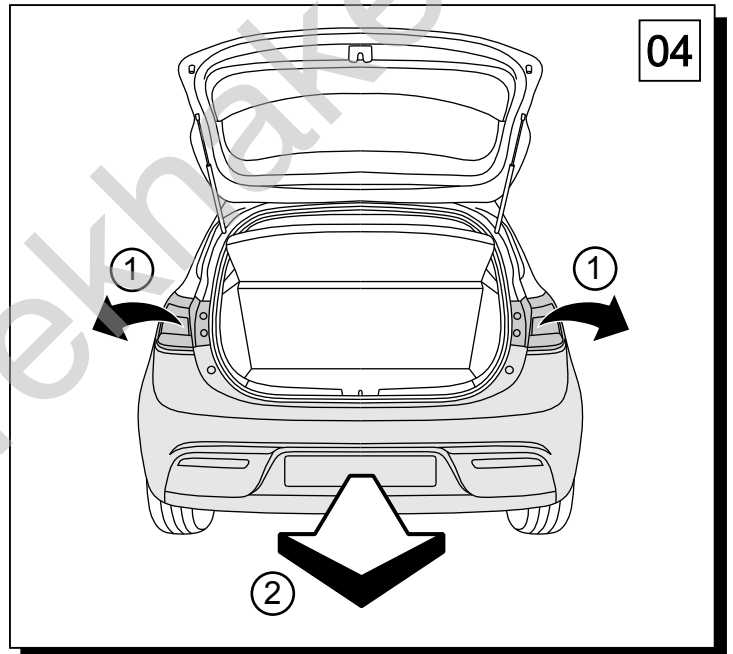
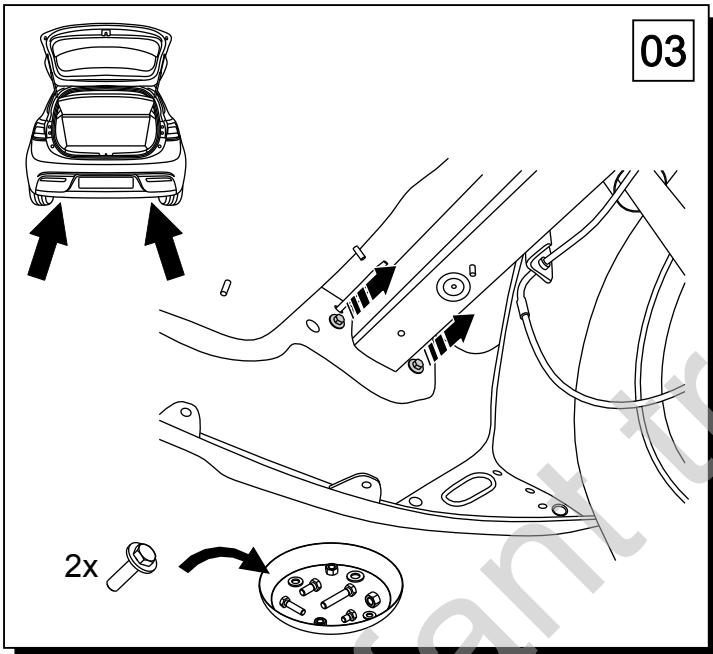
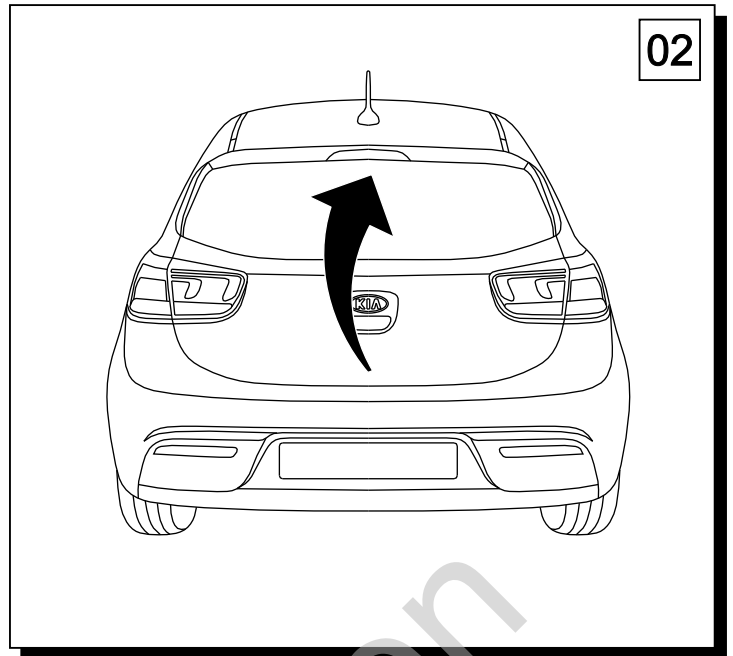
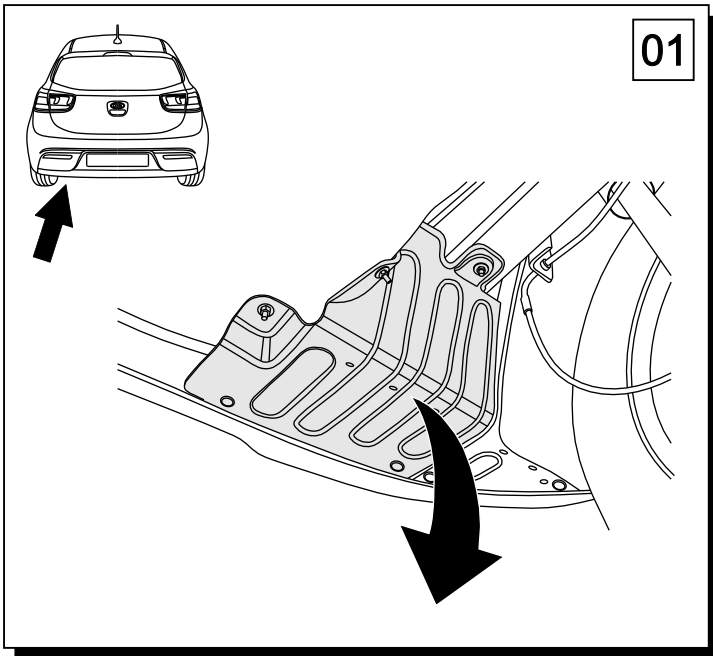
0 km →

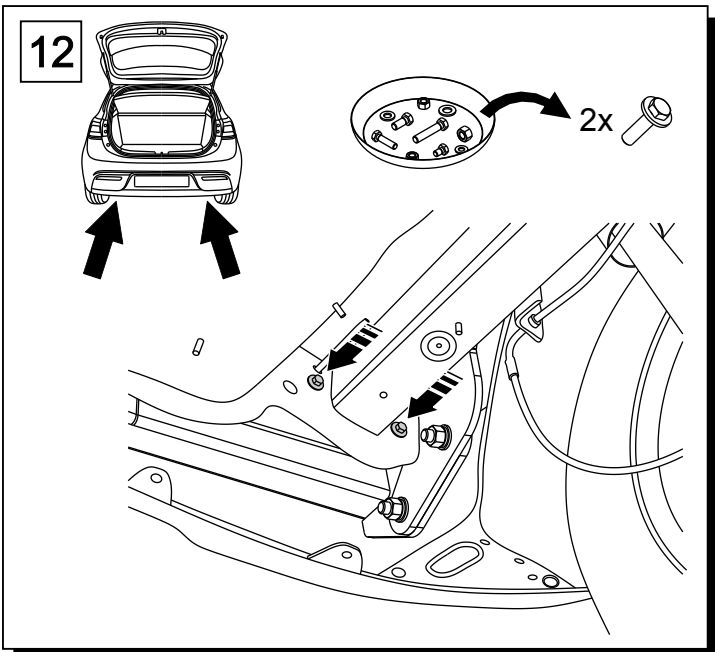
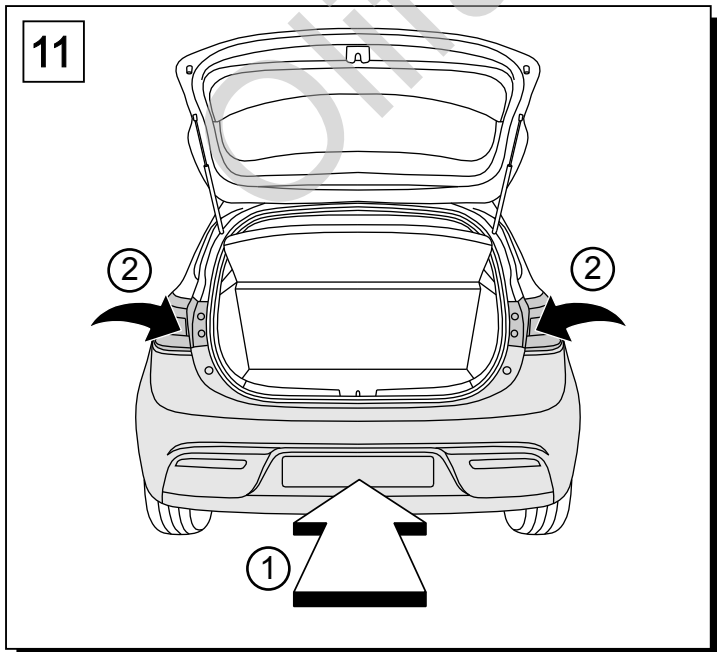
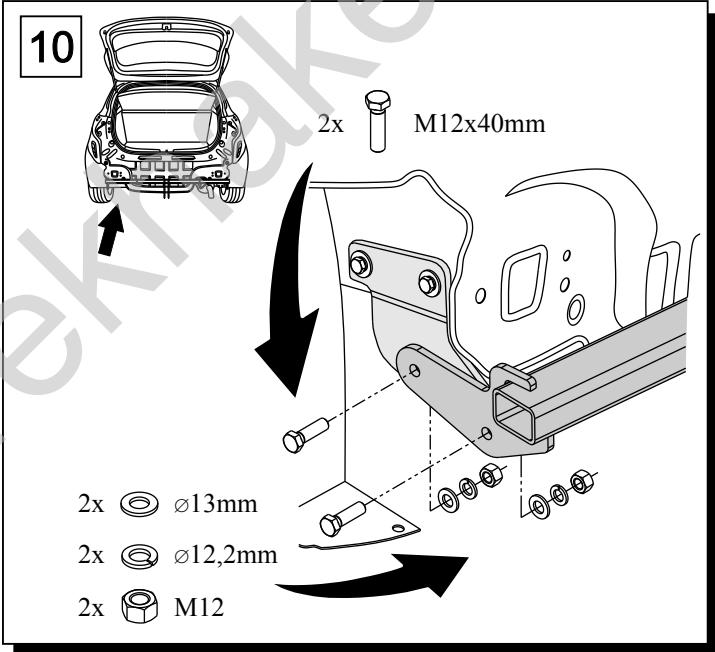
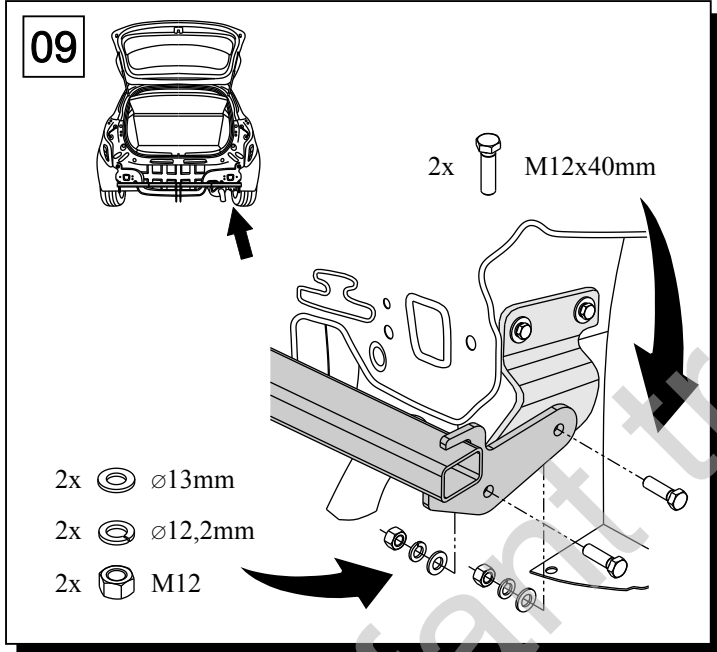
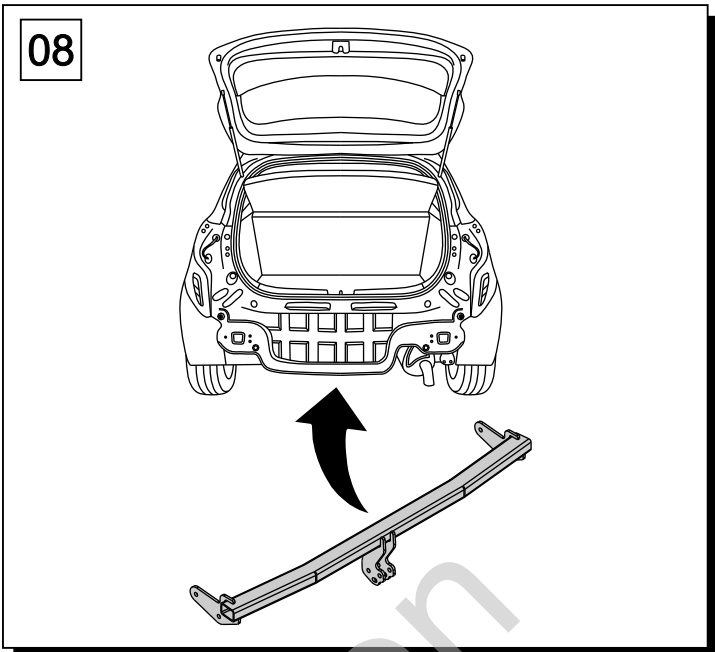
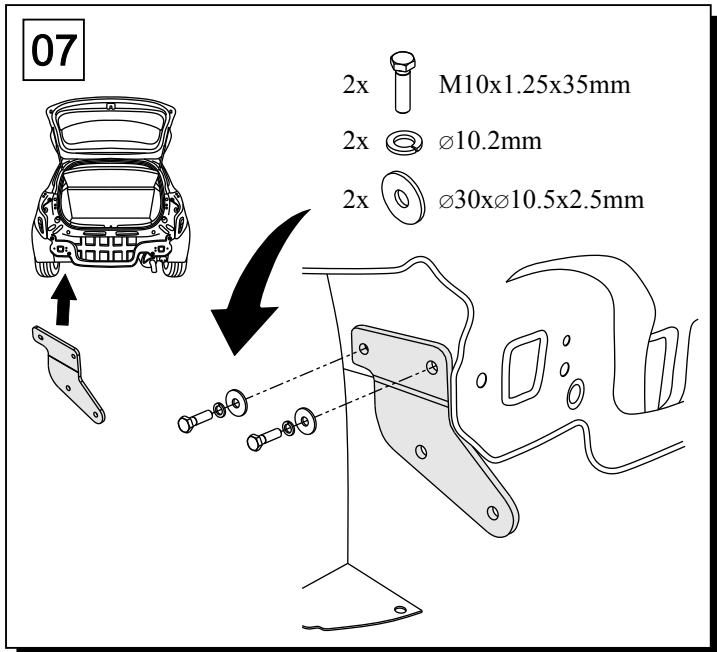


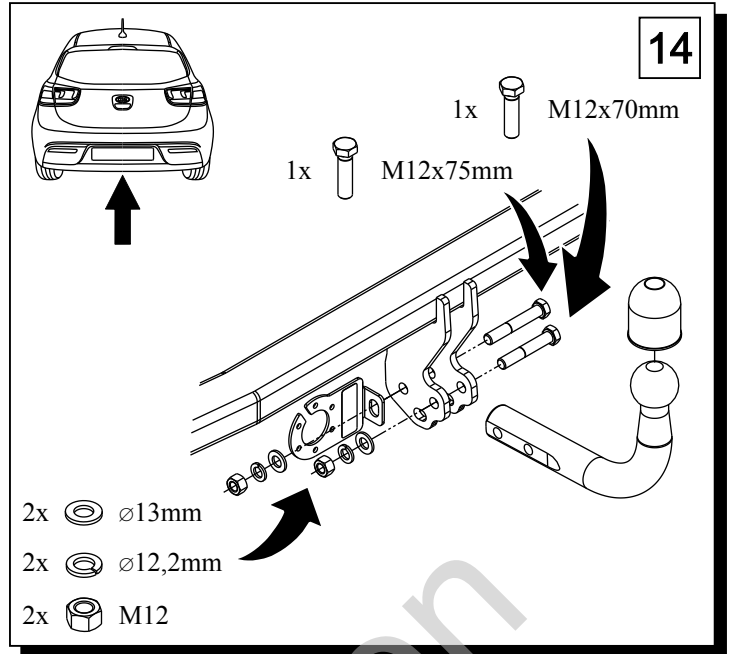
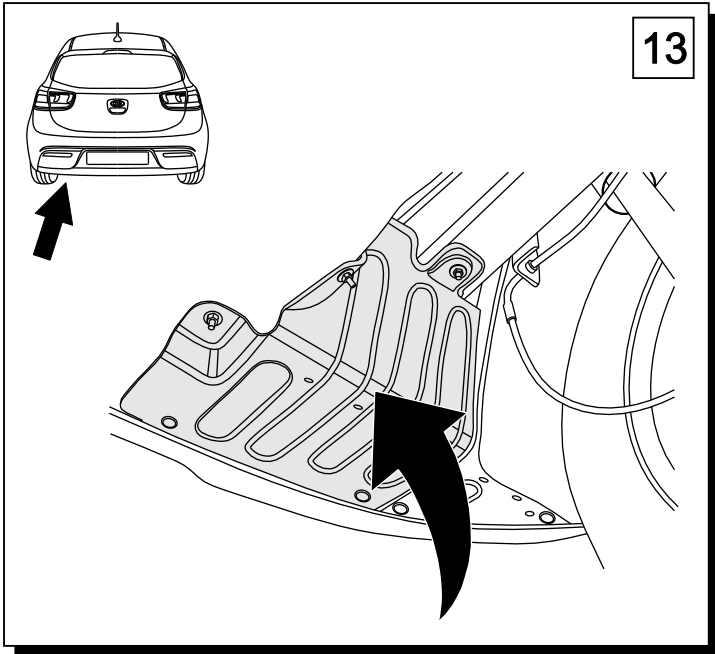
1000 km



1		x1		7 M12x75	x1
				8 M12x70	x1
				9 M12x40	x4
				10 M10x1.25x35	x4
				11 \varnothing 13	x6
2		x1		12 \varnothing 30x \varnothing 10.5x2.5	4
	Art.nr-KL1T76			10 DIN 9021	
3		x1		13 \varnothing 12.2	x6
				14 \varnothing 10.2	x4
4		x1		15 M12	x6
5		x1			
	Art.nr-BL1T76				
6		x1			







Olifant trekhaken