

AUTO-HAK Sp. z o.o.

ul. Słoneczna 16K 76-200 SŁUPSK  
POLAND

tel/fax +48 59 8 414 414; +48 59 8 414 413

e-mail: [office@autohak.com.pl](mailto:office@autohak.com.pl)

[www.autohak.com.pl](http://www.autohak.com.pl)



**AUTO-HAK**

**KIA  
OPTIMA +PLUG IN HYBRID**

Cat. no:

**T73**

4 drz.

01.2016 →

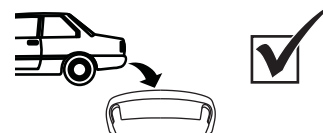
Kombi

09.2016 →

**E20-55R-01 4766**

**2h**

**D** 9,91 kN

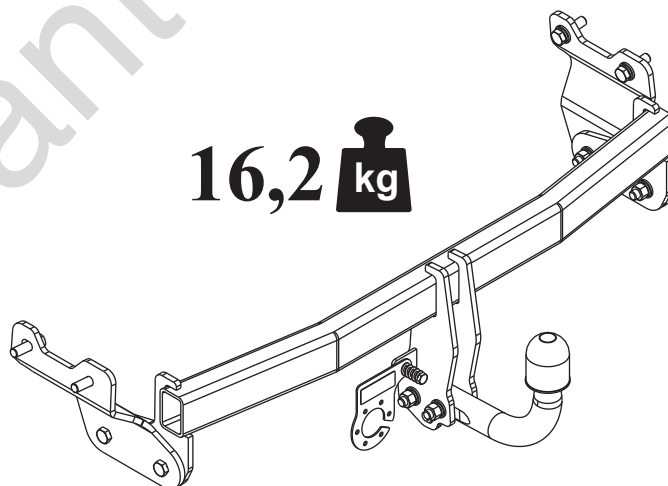


**R=1800 kg**



**S=85 kg**

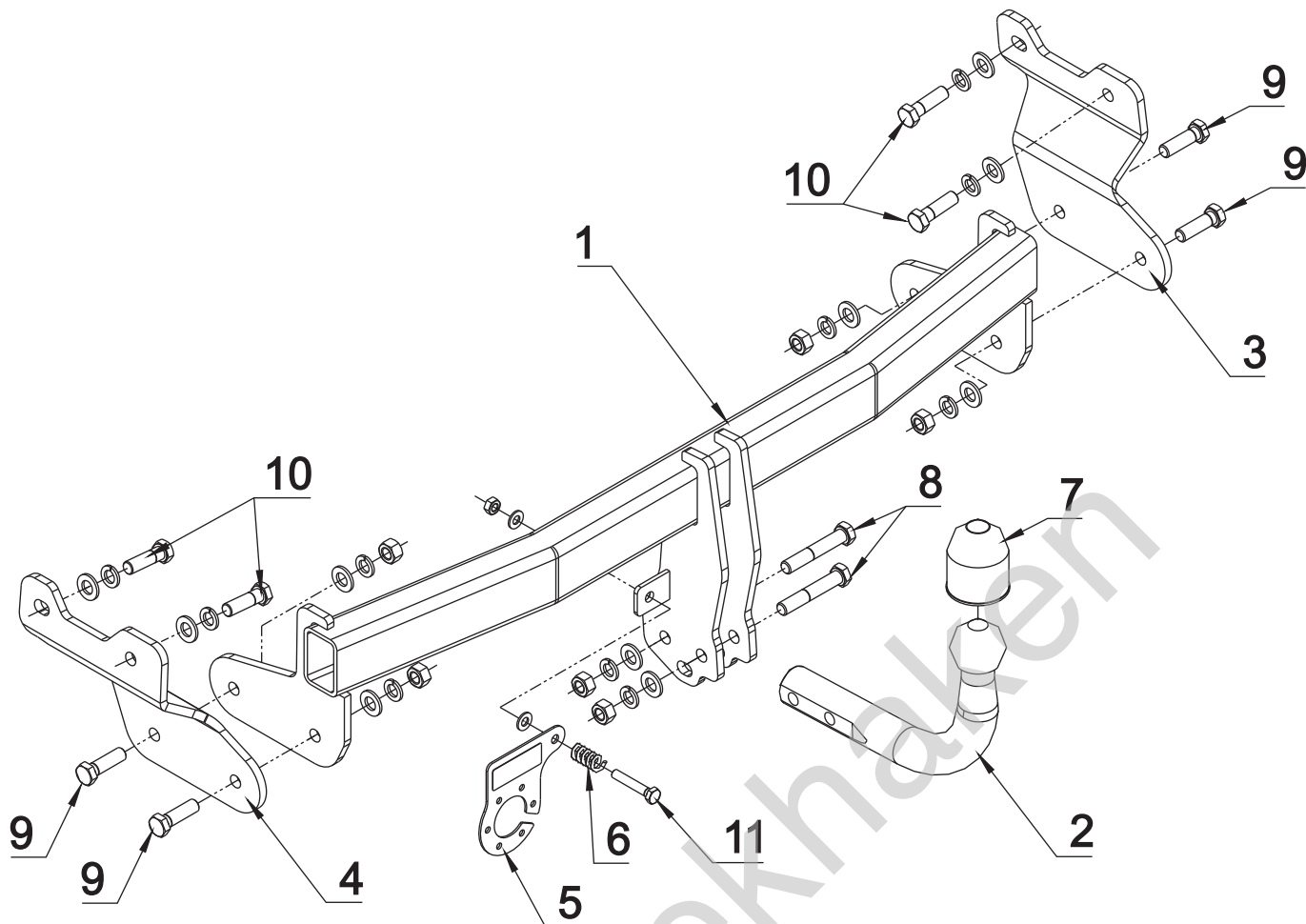
**16,2 kg**

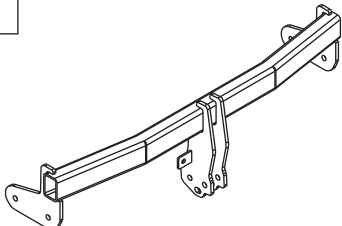
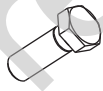
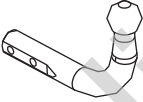





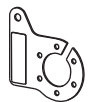




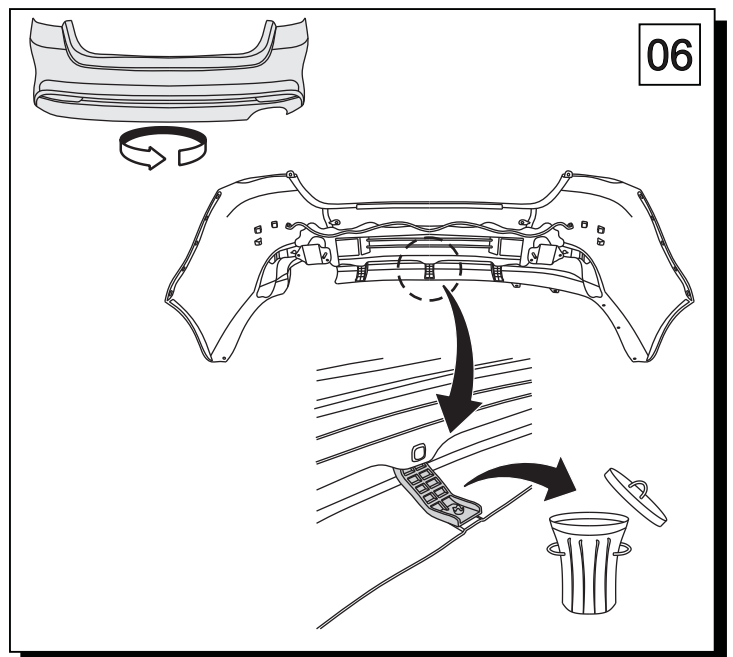
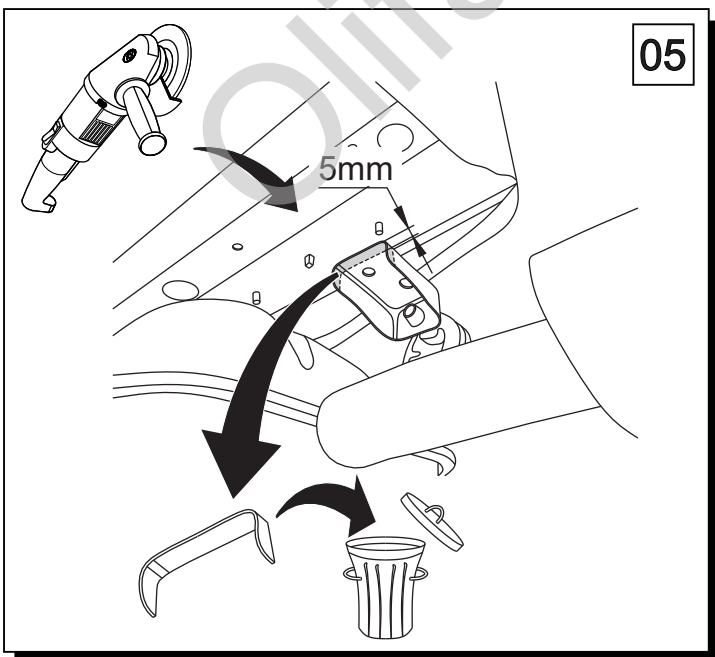
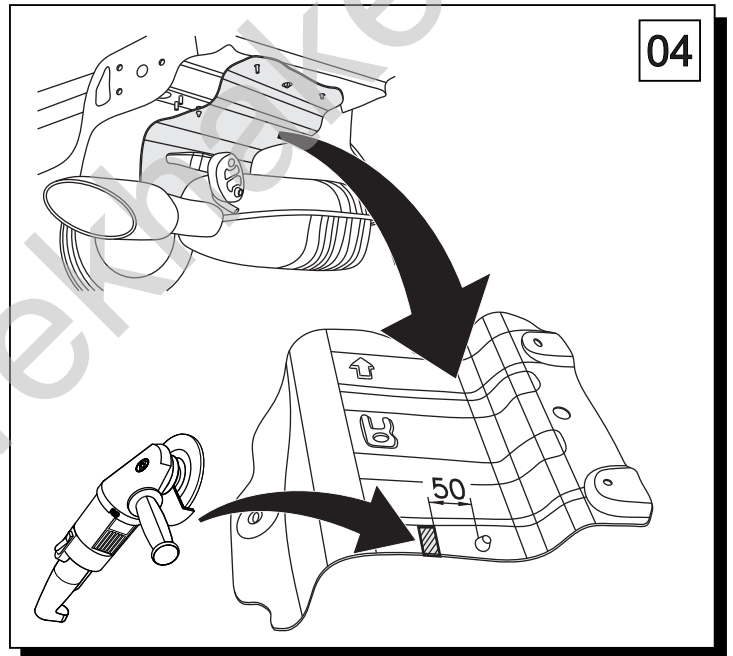
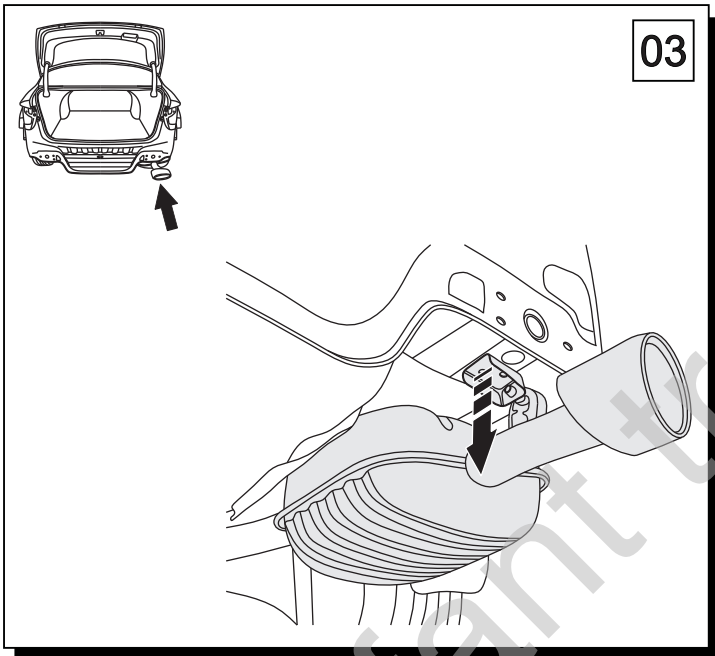
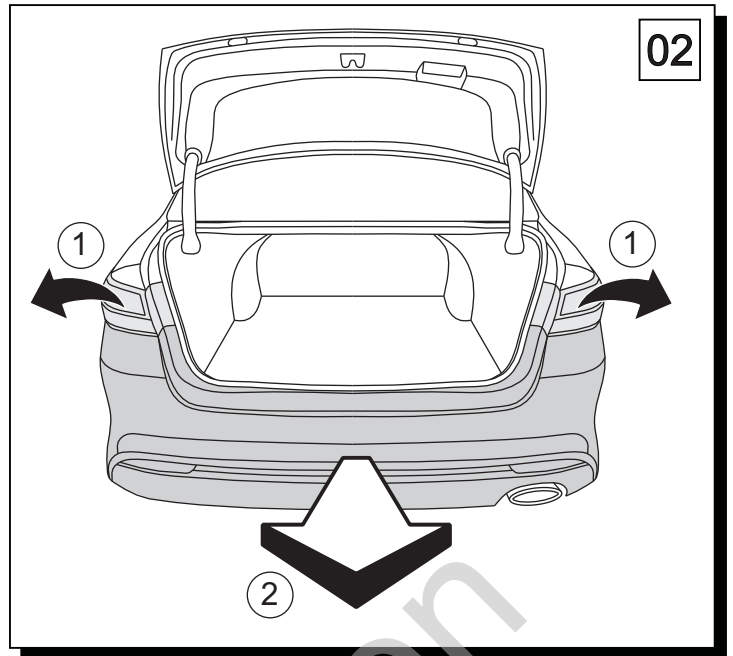
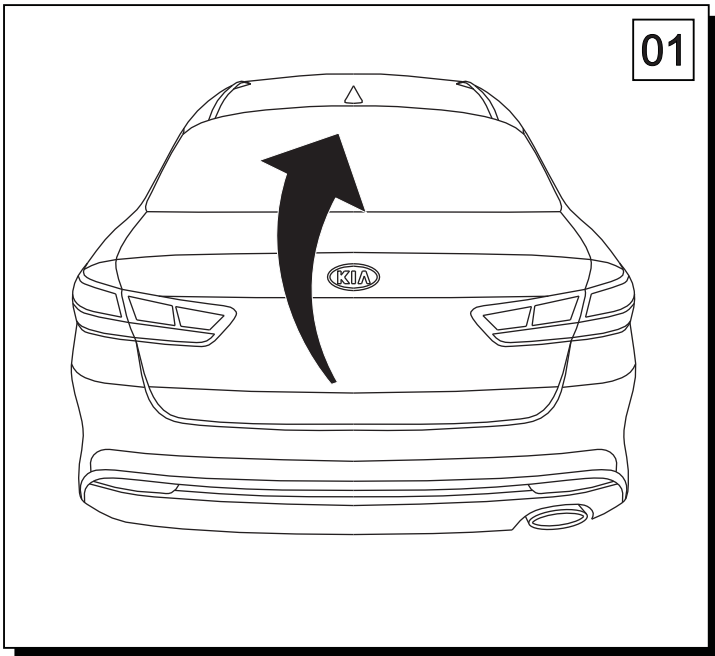
**M6** - 8,5 Nm  
**M10** - 41 Nm  
**M14** - 112 Nm

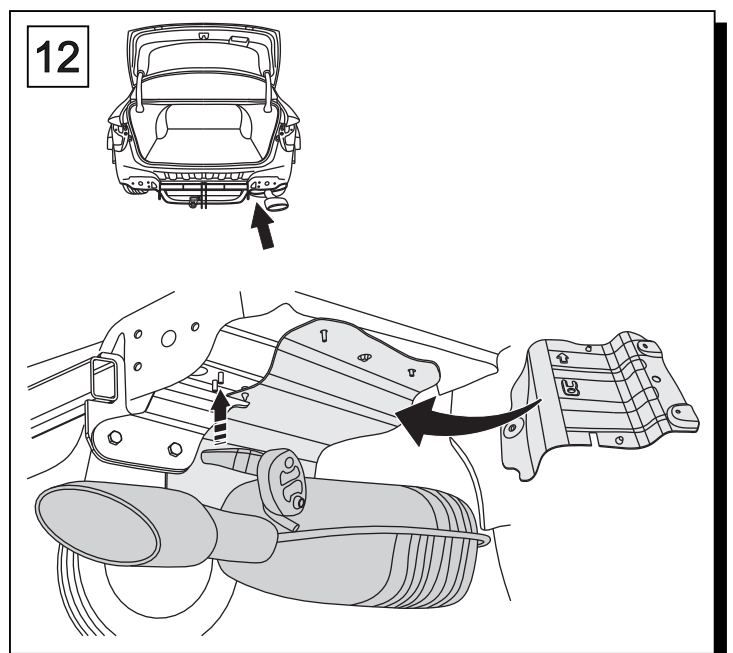
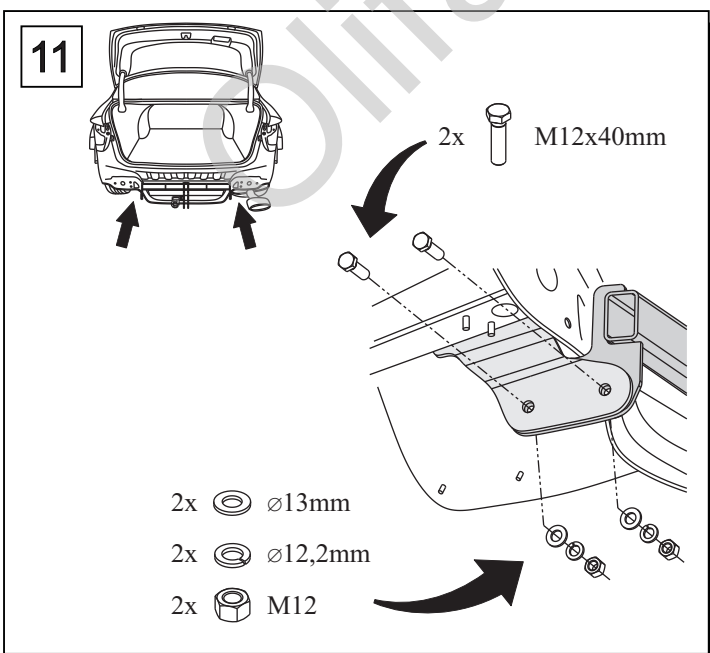
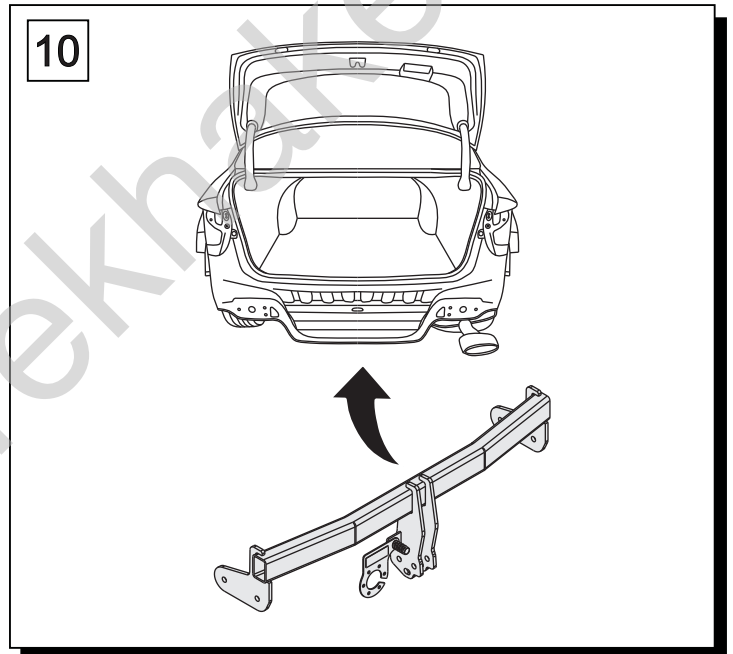
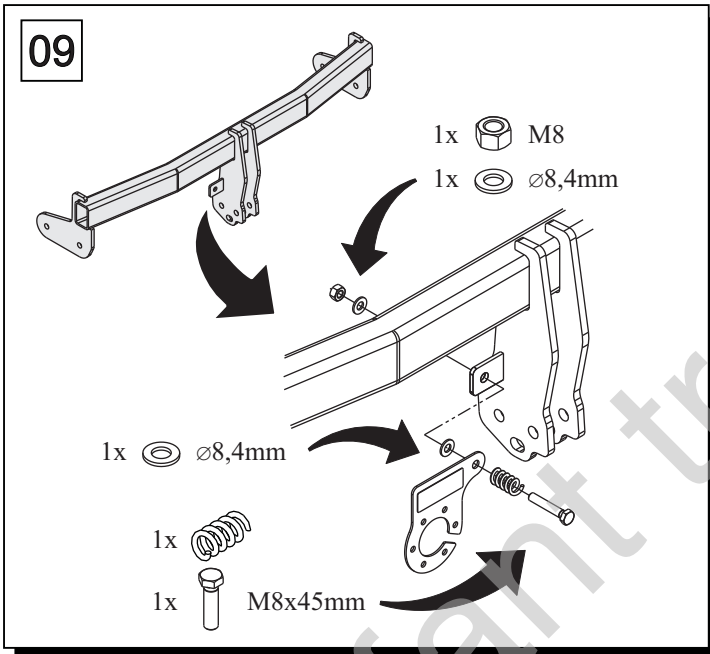
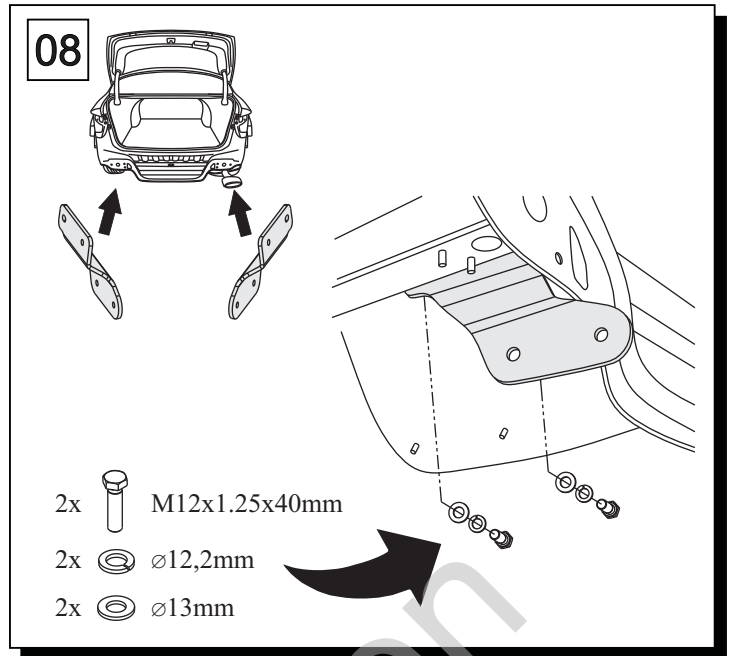
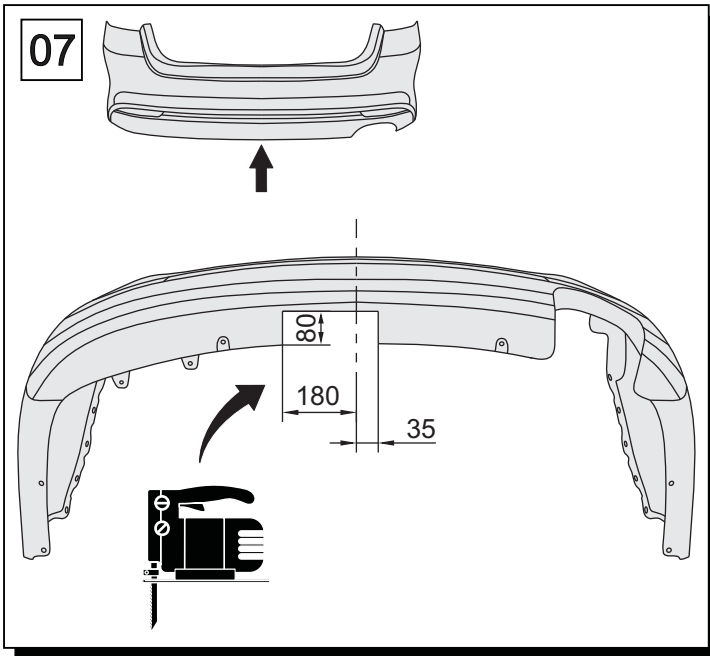
**M8** - 20 Nm  
**M12** - 70 Nm  
**M16** - 170 Nm

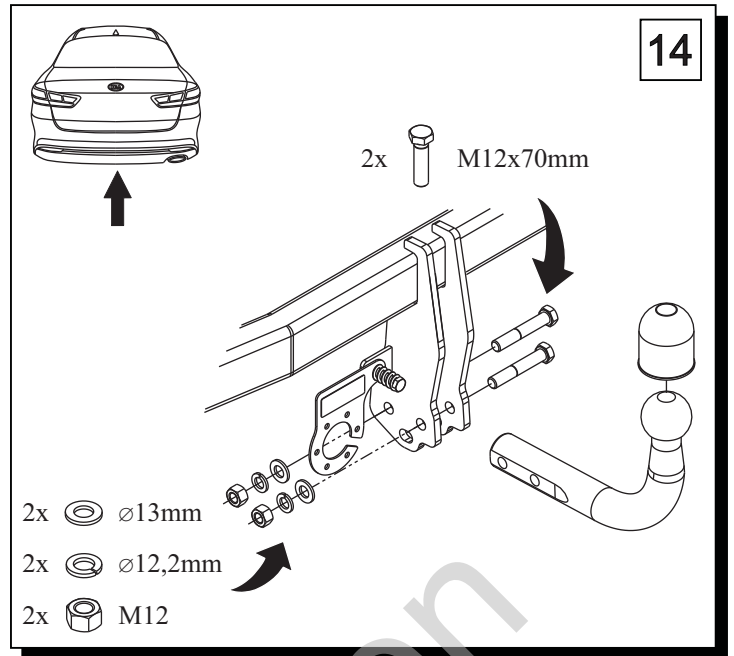
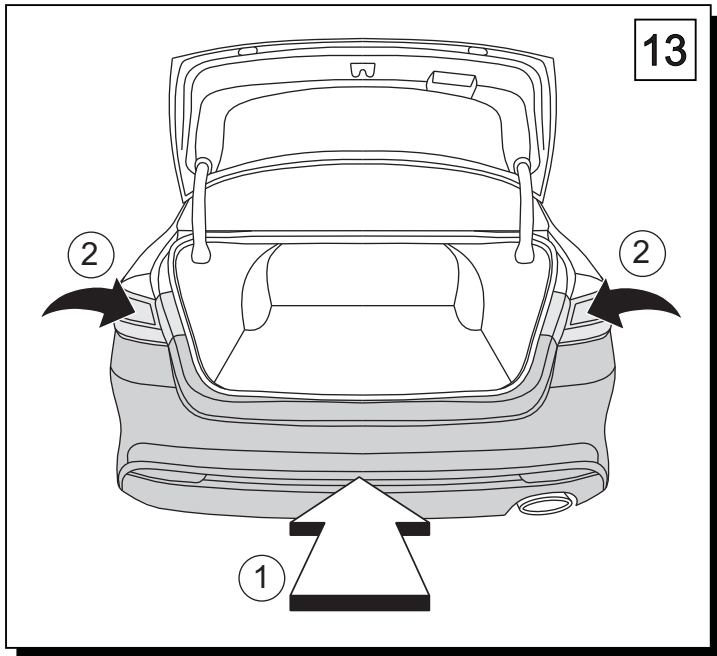
**0 km** → **1000 km**



1		x1		8	M12x70	x2
				9	M12x40	x4
2		x1		10	M12x1.25x40	x4
				11	M8x45	x1
				13	∅ 8.5	x2
3		x1		14	∅ 12.2	x10
				15	M12	x6
4		x1		16	M8	x1
				5		
5		x1				
6		x1				
7		x1				







Olifant trekhaken