

AUTO-HAK Sp. z o.o.

ul. Słoneczna 16K 76-200 SŁUPSK
POLAND

tel/fax +48 59 8 414 414; +48 59 8 414 413

e-mail: office@autohak.com.pl

www.autohak.com.pl



AUTO-HAK

KIA SORENTO 5D

01.2015 → 12.2017

KIA SORENTO 5D Facelift

STANDARD/GT-LINE

01.2018 → 08.2020

Nr kat.

T71

E20

E20-55R-01 4372



2h

D

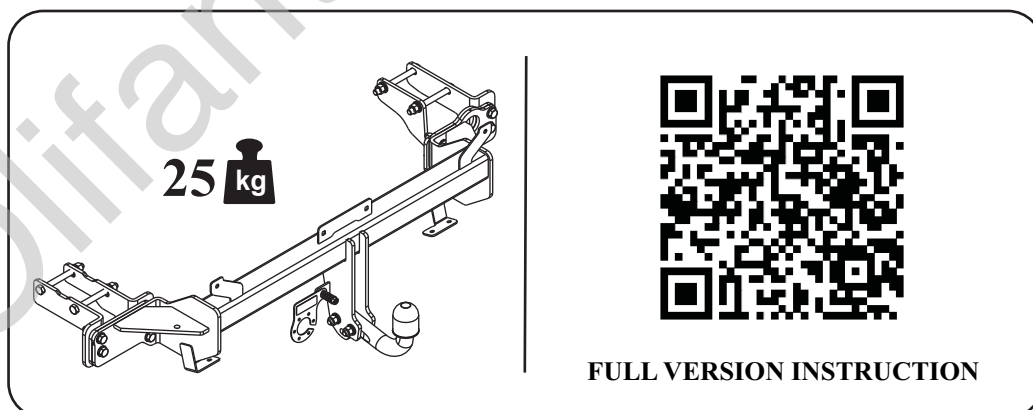
12,6 kN



R=2500 kg



S=100 kg



25 kg

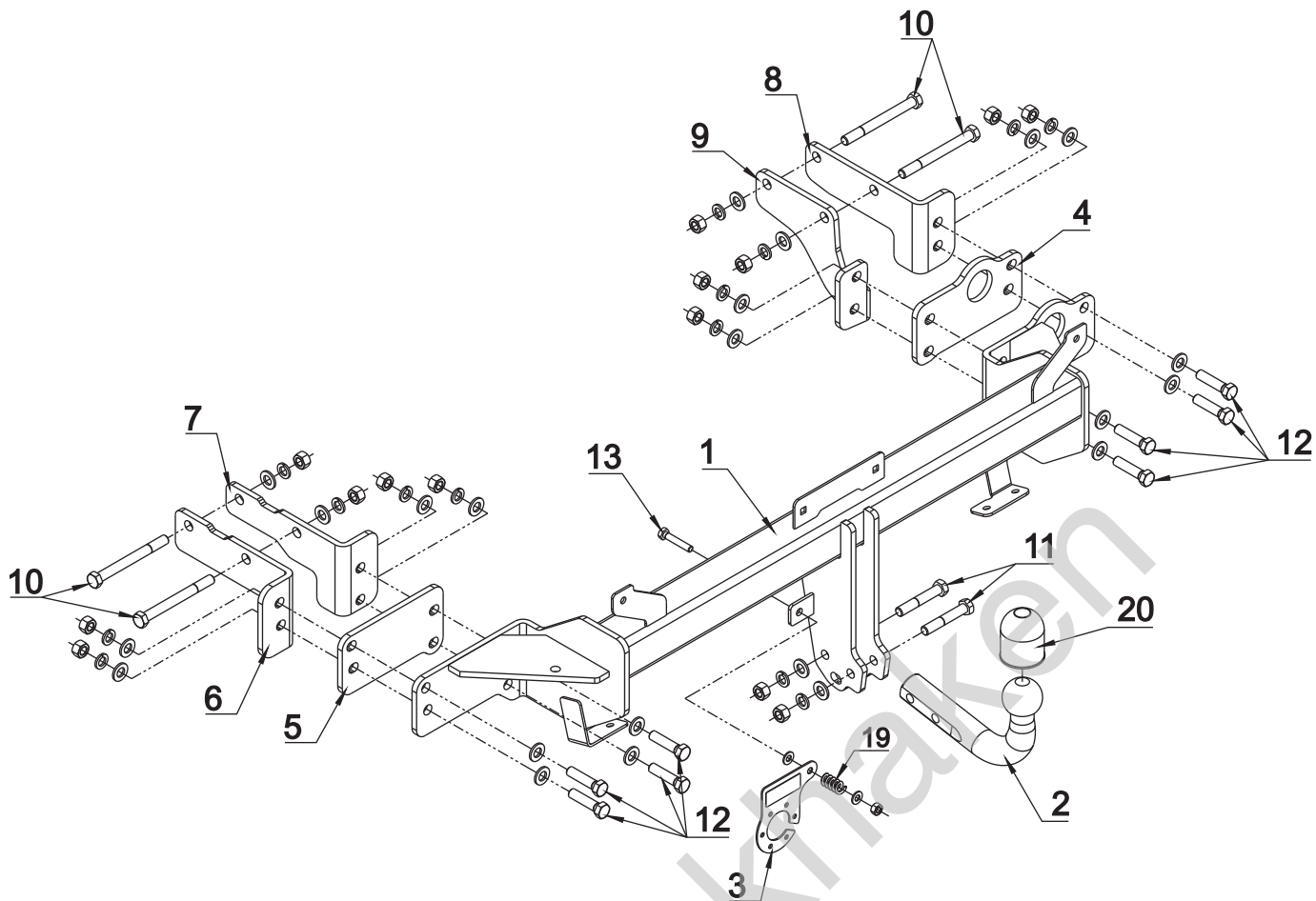


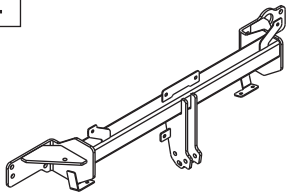

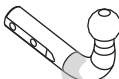



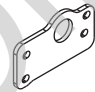

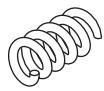

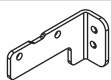
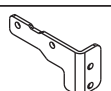
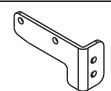
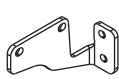
FULL VERSION INSTRUCTION

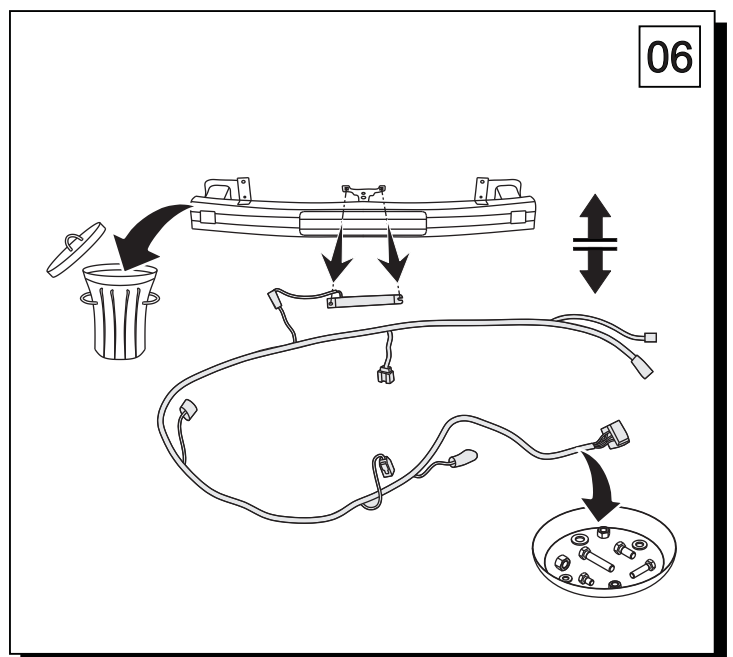
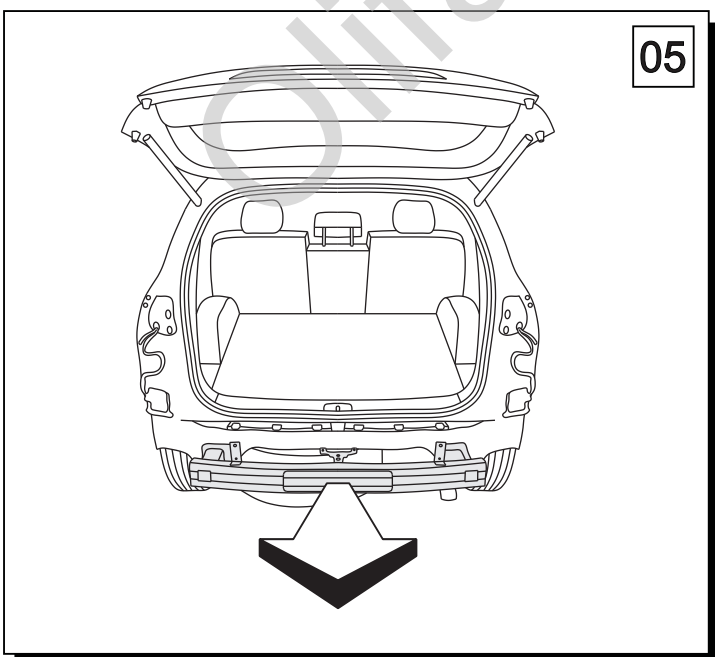
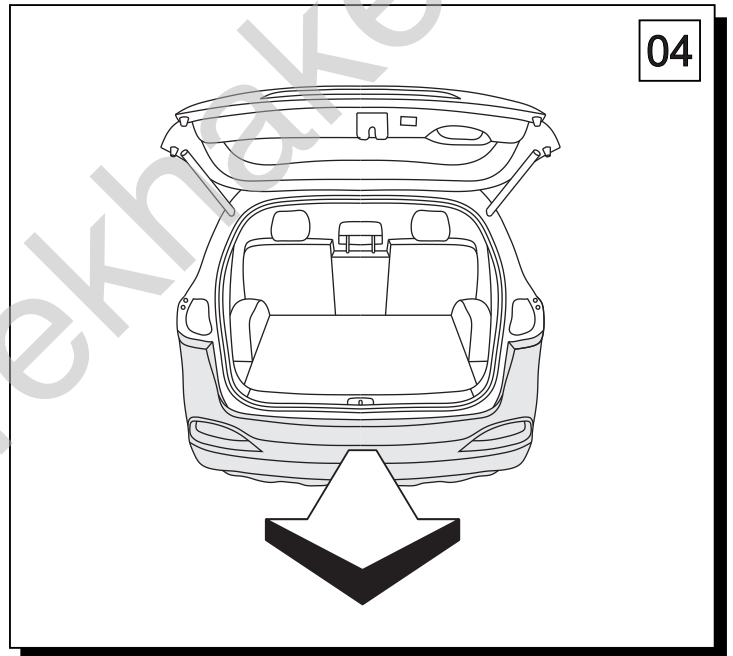
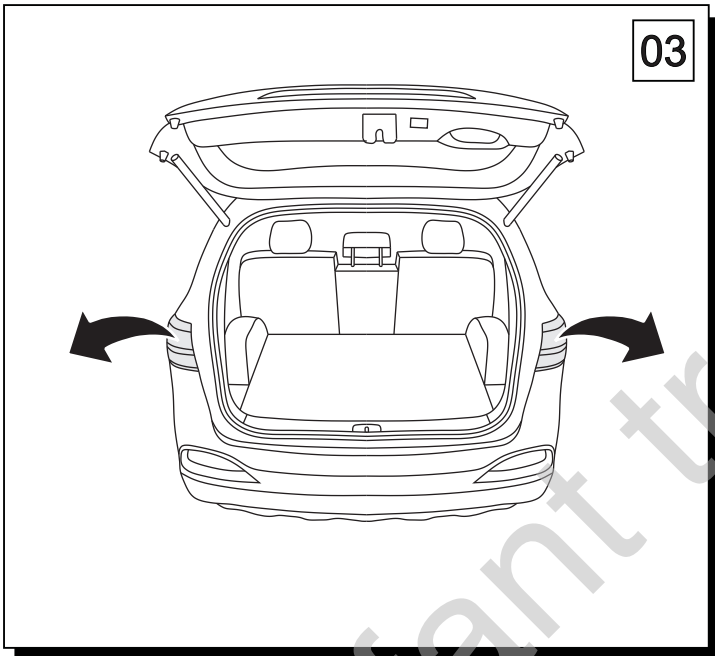
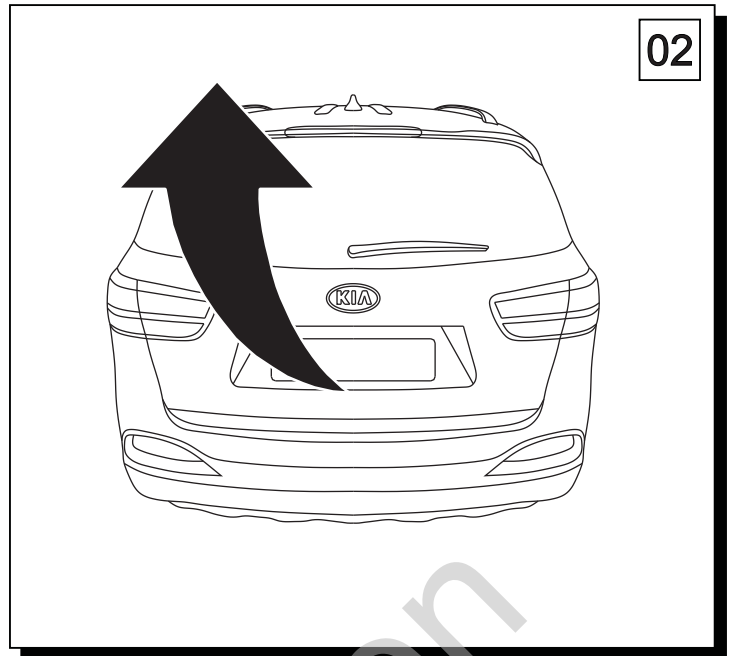
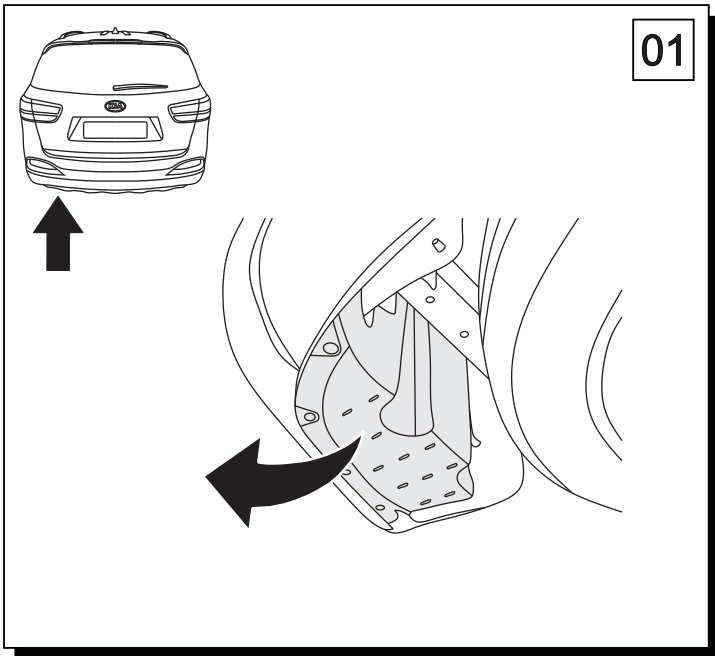


śruba	Nm	M6	M8	M10	M12	M14	M16
klasa 8.8		9,9	24	48	83	132	200
klasa 10.9		14	34	67	117	185	285

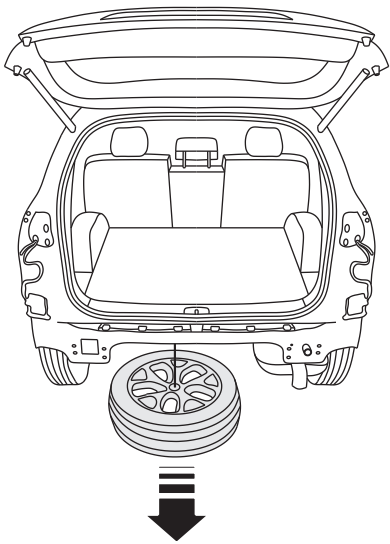
0 km → 1000 km



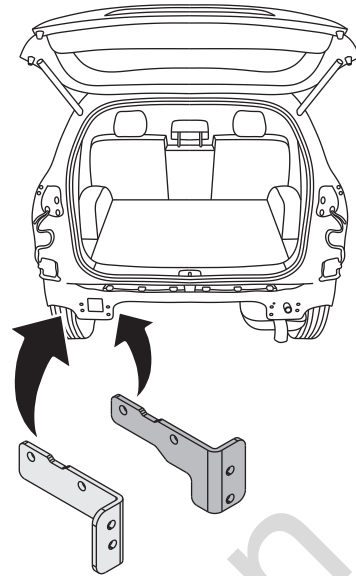
	x 1		10	M12x120	x 4
			11	M12x70	x 2
			12	M12x50	x 8
			13	M8x45	x 1
	x 1		14	∅ 13	x 22
			15	∅ 8.4	x 2
			16	∅ 12.2	x 14
	x 1		17	M12	x 14
	x 1		19		x 1
	x 1				
	x 1				
	x 1				
	x 1				
	x 1				



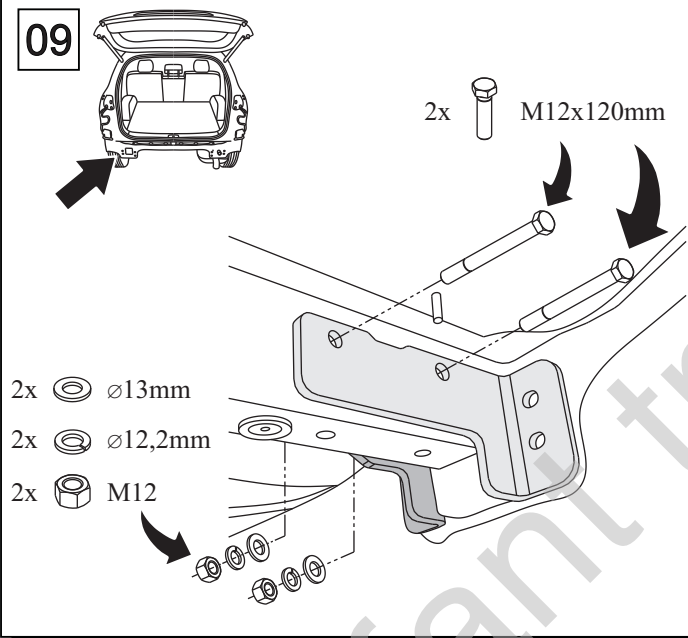
07



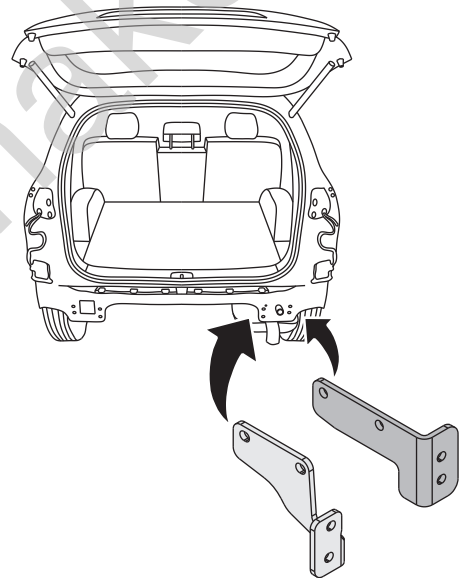
08



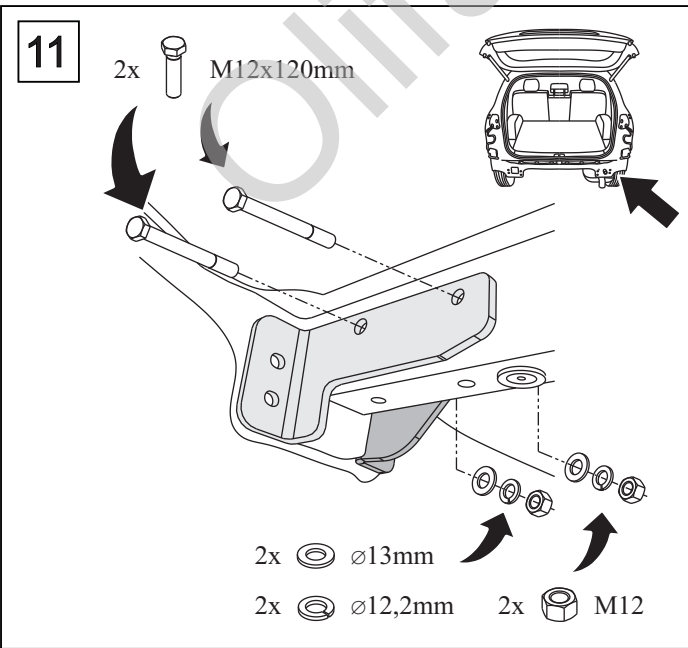
09



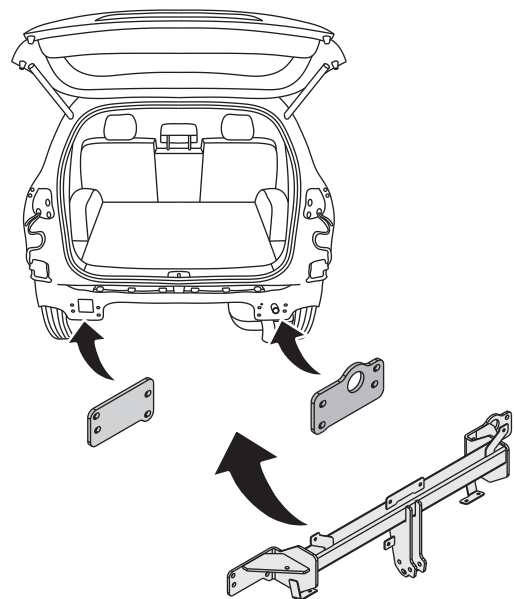
10

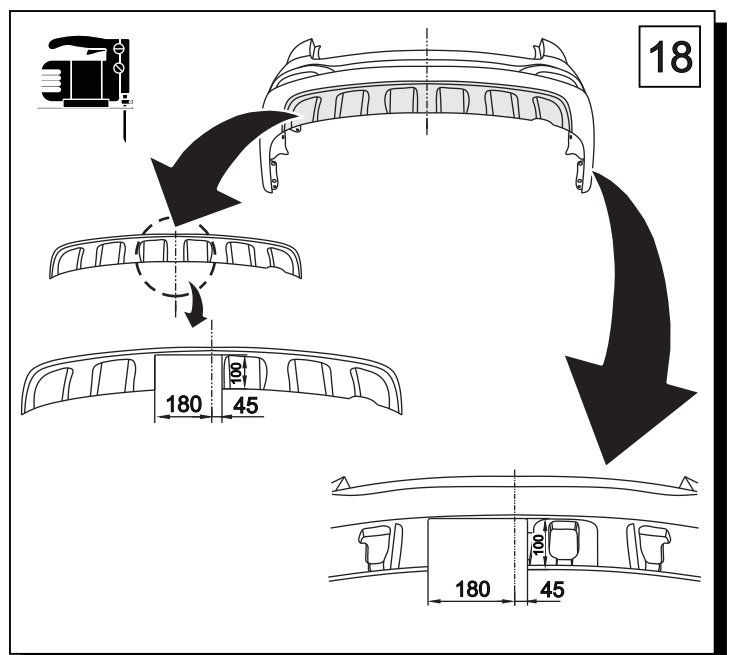
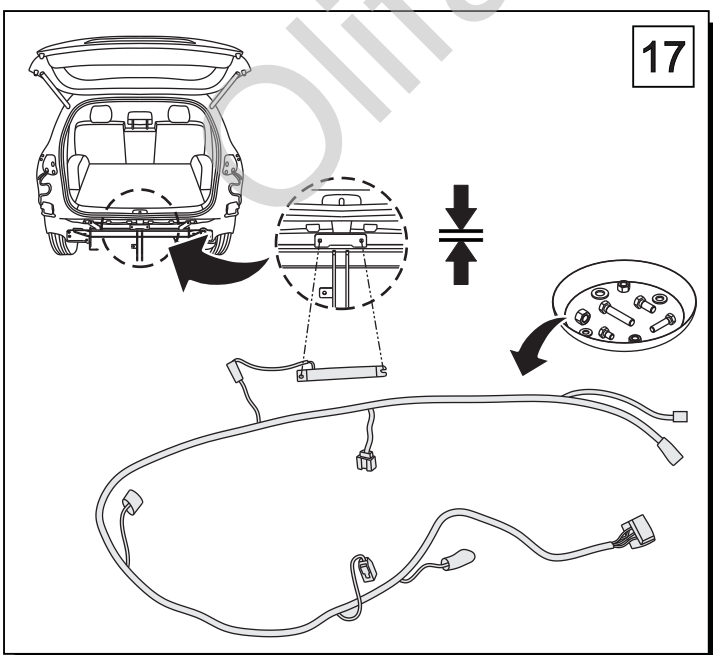
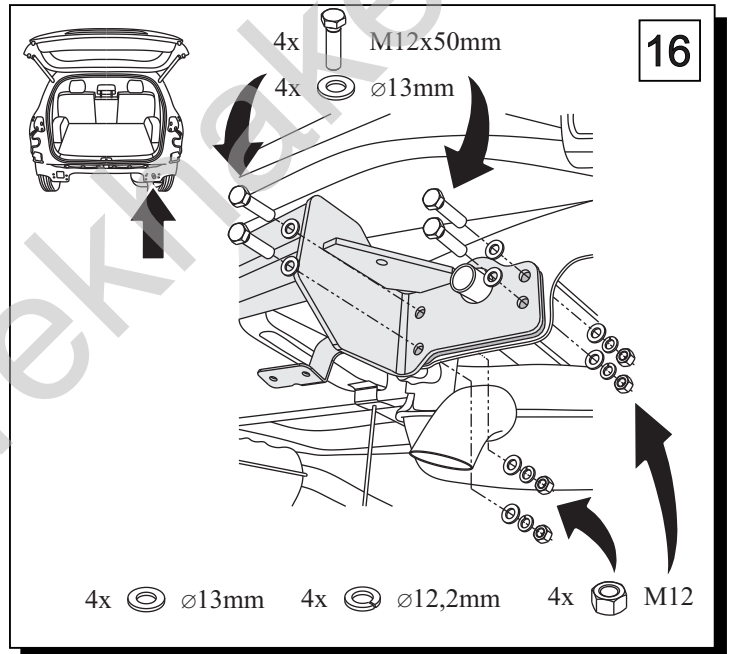
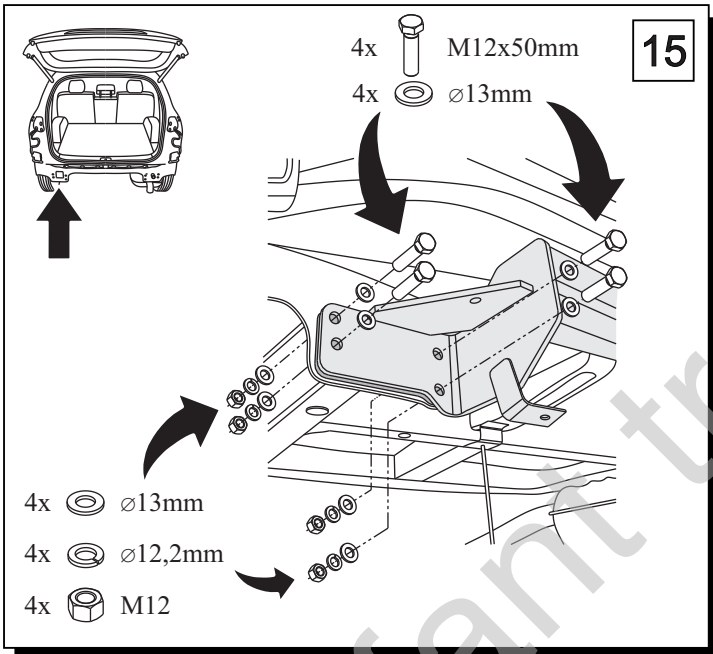
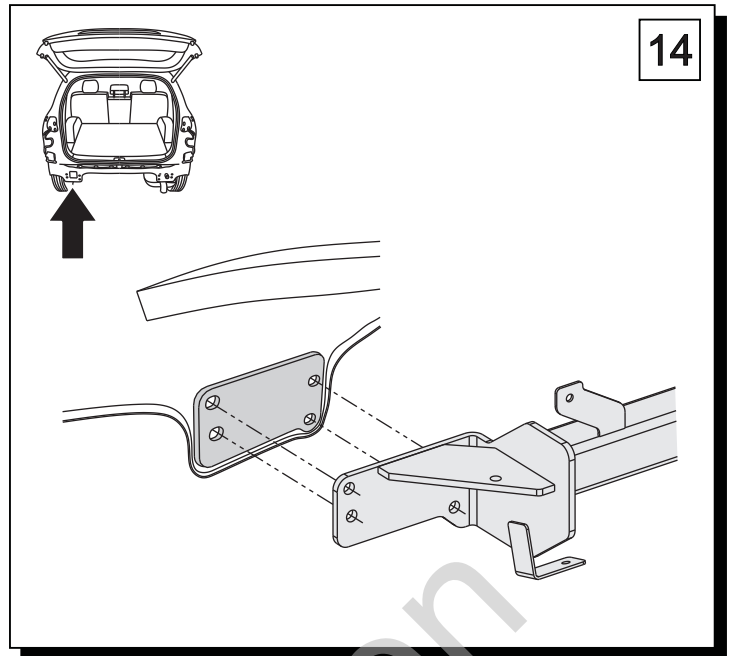
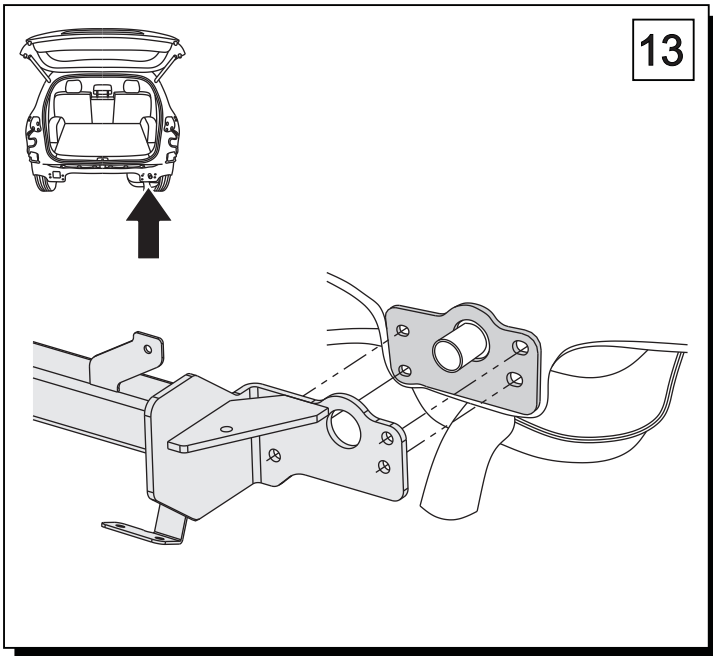


11

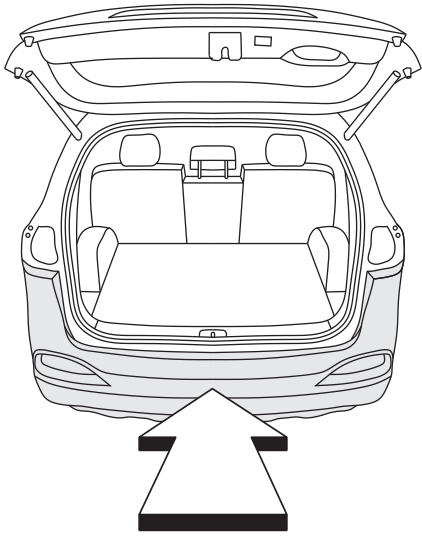


12

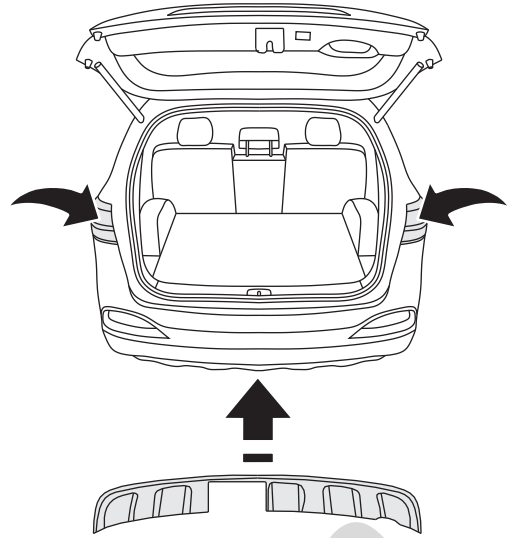




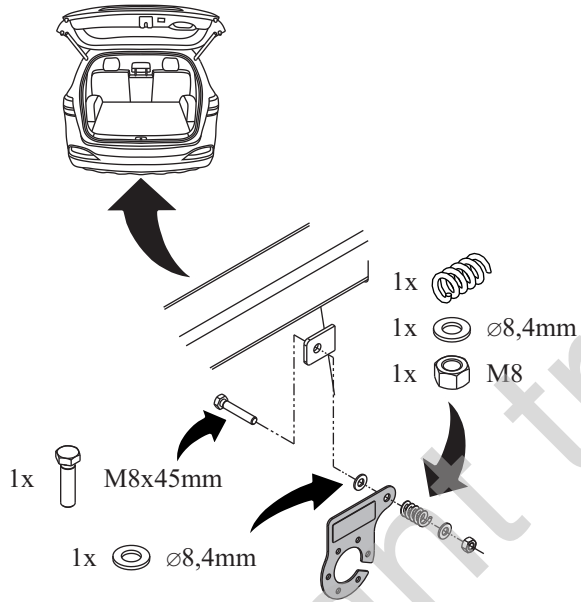
19



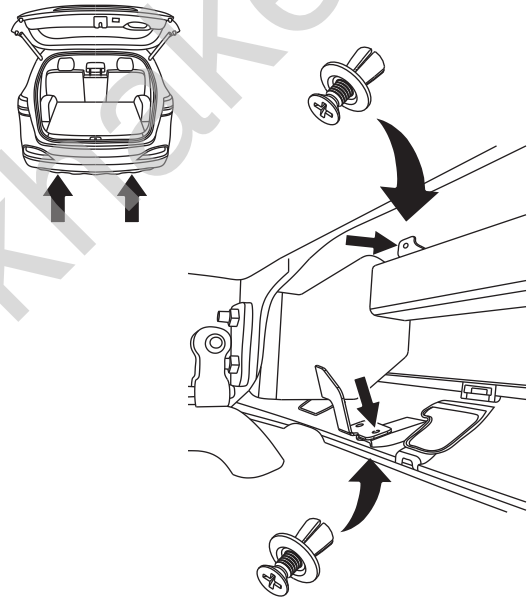
20



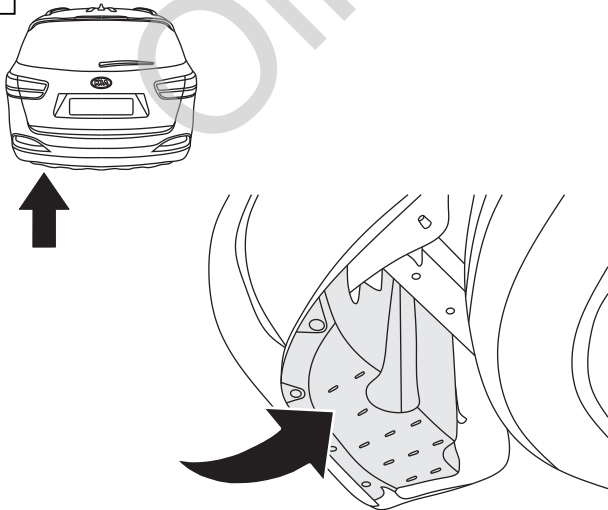
21



22



23



24

