

PPUH AUTO-HAK Sp.J.

Henryk i Zbigniew Nejman
ul. Słoneczna 16K 76-200 SŁUPSK
POLAND

tel/fax +48 59 8 414 414; +48 59 8 414 413

e-mail: office@autohak.com.pl

www.autohak.com.pl



AUTO-HAK



KIA CARENS IV VAN

Cat. no:

T69



03.2013 →



E20-55R-01 3474



9,1 kN



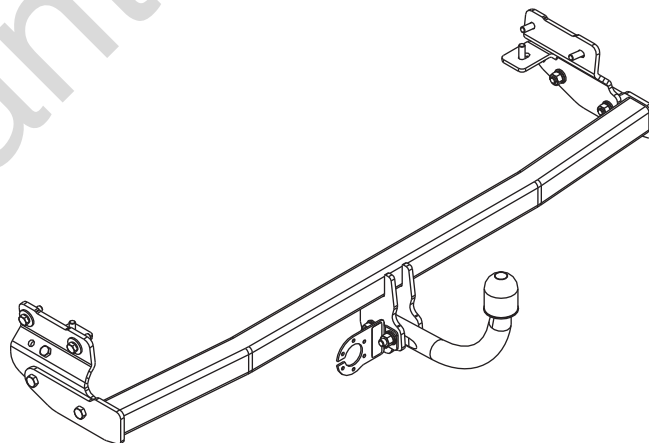
2h



R=1500 kg



S=75 kg



M6 - 11 Nm
M10 - 50 Nm
M14 - 138 Nm

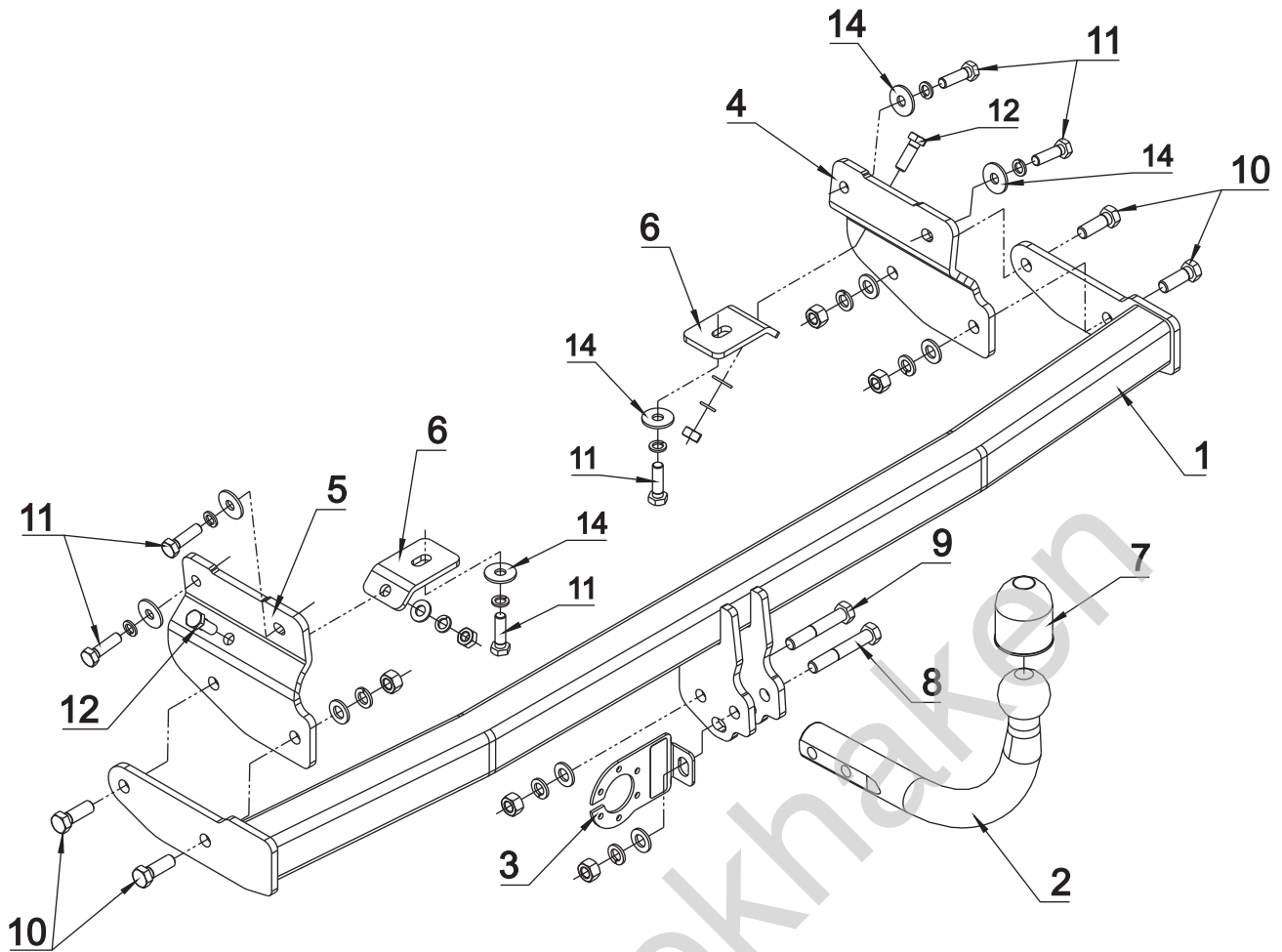
M8 - 25 Nm
M12 - 87 Nm
M16 - 210 Nm

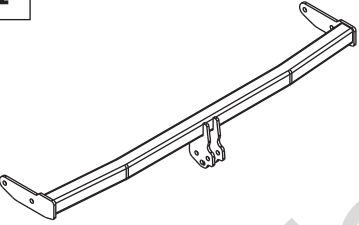

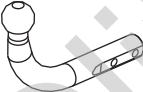

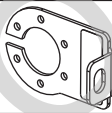
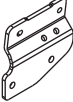


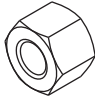
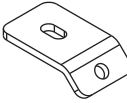



0 km →



1000 km



| | | | | | | |
|---|---|----|---|----|---------------------------------|----|
| 1 |  | x1 |  | 8 | M12x75 | x1 |
| | | | | 9 | M12x70 | x1 |
| | | | | 10 | M12x35 | x4 |
| | | | | 11 | M10x1.25x35 | x6 |
| | | | | 12 | M10x30 | x2 |
| 2 |  | x1 |  | 13 | ∅ 13 | x6 |
| | Art.nr-KL1T69 | | | 14 | ∅ 30x∅10.5x2.5 10 (DIN 9021) | x6 |
| 3 |  | x1 | | 15 | ∅ 10.5 | x2 |
| | Art.nr-BL1T69 | | | 16 | ∅ 12.2 | x6 |
| 4 |  | x1 |  | 17 | ∅ 10.2 | x8 |
| 5 |  | x1 |  | 18 | M12 | x6 |
| | | | | 19 | M10 | x2 |
| 6 |  | x2 | | | | |
| 7 |  | x1 | | | | |

