

PPUH AUTO-HAK Sp.J.

Henryk i Zbigniew Nejman
ul. Słoneczna 16K 76-200 SŁUPSK
POLAND

tel/fax +48 59 8 414 414; +48 59 8 414 413

e-mail: office@autohak.com.pl

www.autohak.com.pl



AUTO-HAK



KIA RIO III 4D

Cat. no:

T68A



2012 →



E20-55R-01 3369



7,87 kN



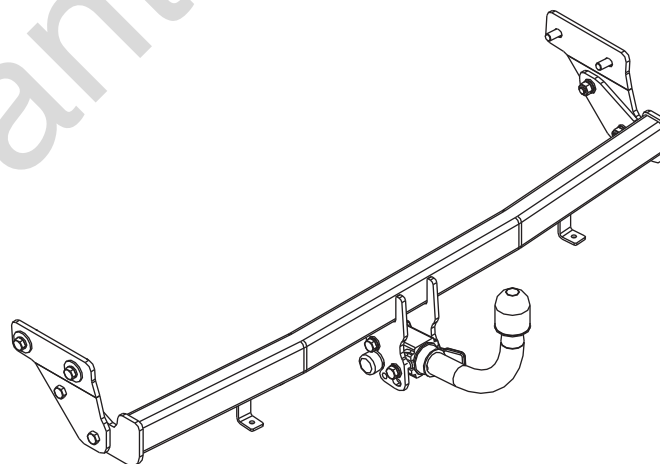
1h



R=1200 kg



S=75 kg



M6 - 11 Nm
M10 - 50 Nm
M14 - 138 Nm

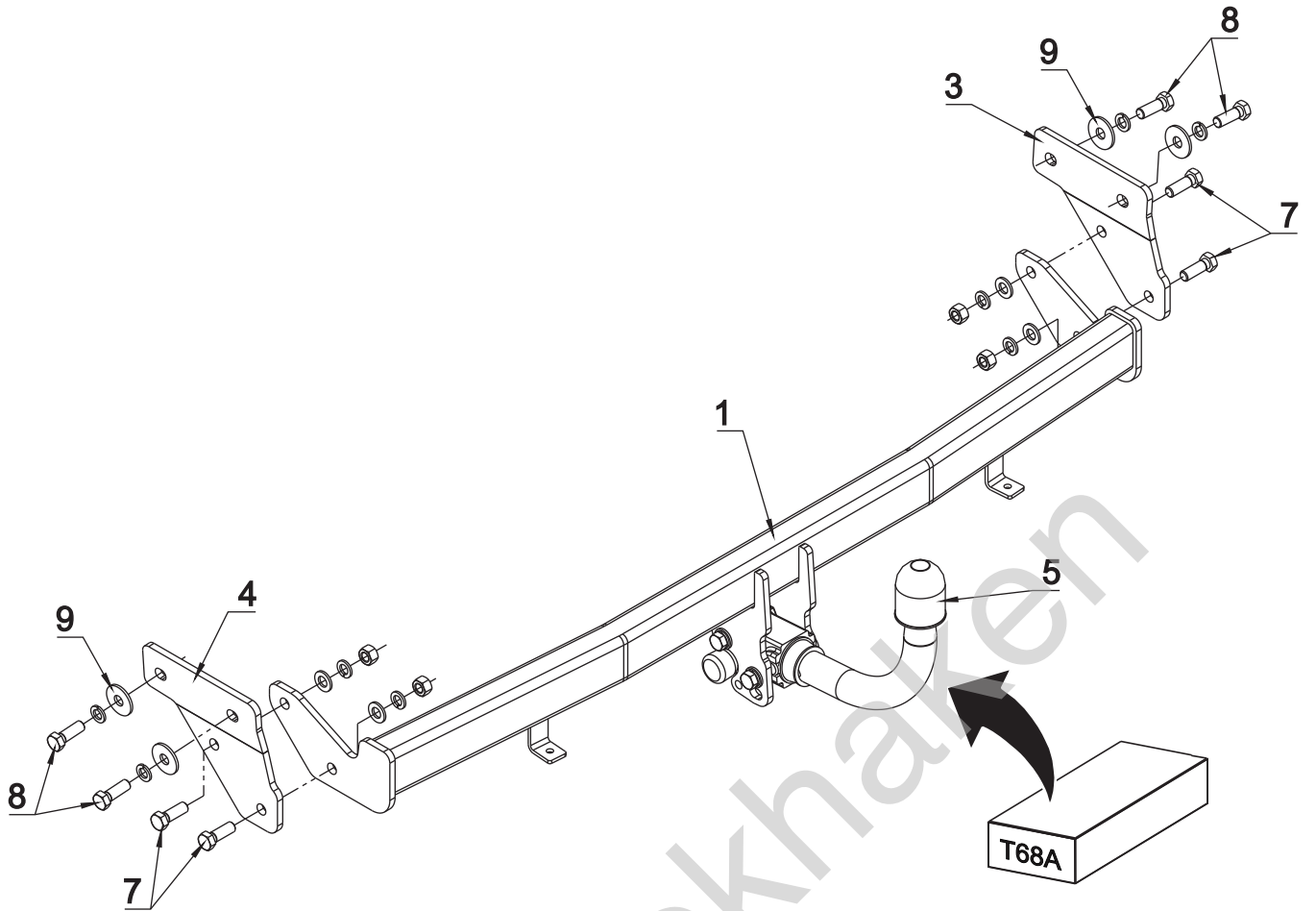
M8 - 25 Nm
M12 - 87 Nm
M16 - 210 Nm

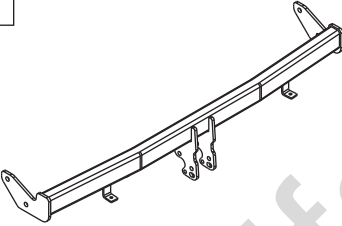

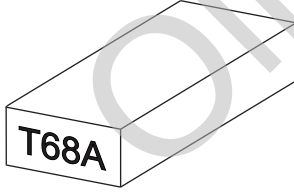

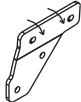

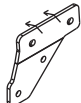
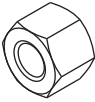



0 km →



1000 km



1		x 1		6	M 12x25	x 4
				7	M 12x35	x 4
2		x 1		8	M 12x1,25x35	x 4
				9	∅ 37x∅13x3 13 (DIN 9021)	x 4
3		x 1		10	∅ 13	x 8
				11	∅ 12.2	x 12
4		x 1		12	M 12	x 4
5		x 1				

Art.nr-KL1T68A

