

PPUH AUTO-HAK Sp.J.

Henryk i Zbigniew Nejman
ul. Słoneczna 16K 76-200 SŁUPSK
POLAND

tel/fax +48 59 8 414 414; +48 59 8 414 413

e-mail: office@autohak.com.pl

www.autohak.com.pl



AUTO-HAK



KIA RIO III 4D

Cat. no:

T68



2012 →



E20-55R-01 3368



7,87 kN



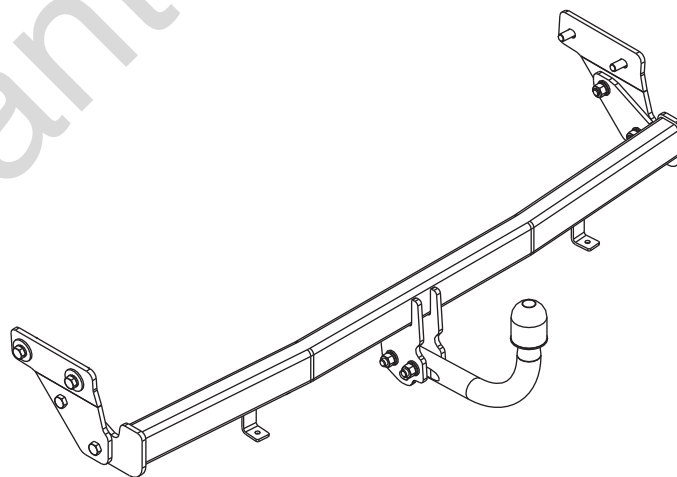
1h



R=1200 kg



S=75 kg



M6 - 11 Nm
M10 - 50 Nm
M14 - 138 Nm

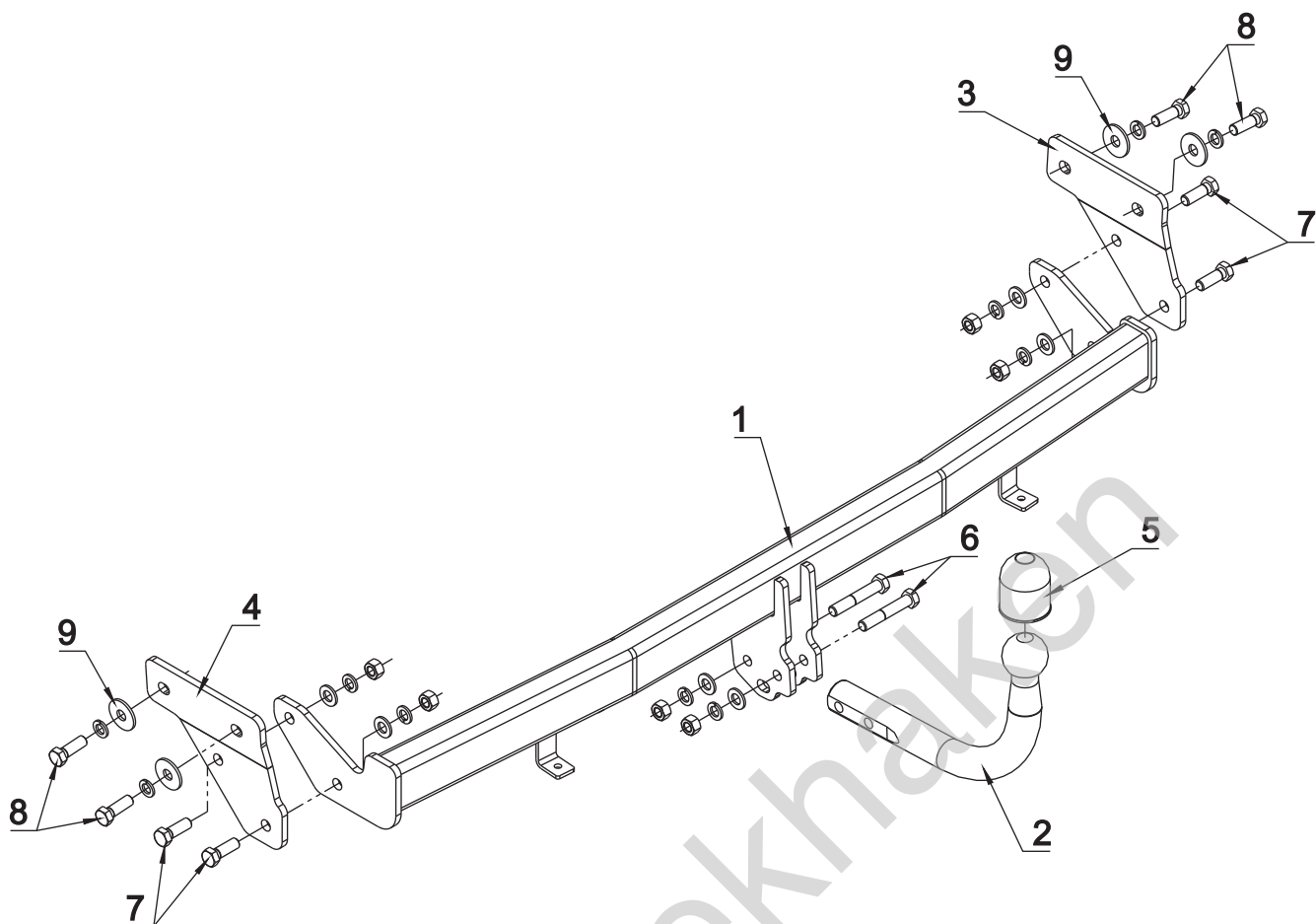
M8 - 25 Nm
M12 - 87 Nm
M16 - 210 Nm

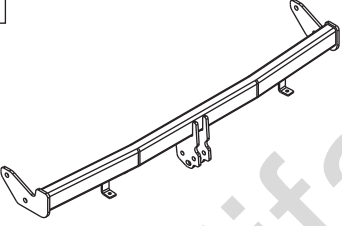






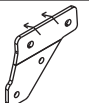




0 km →



1000 km



1		x1		6 M12x70	x2
				7 M12x35	x4
				8 M12x1,25x35	x4
				9 \varnothing 37x \varnothing 13x3 13 (DIN 9021)	x4
2		x1		10 \varnothing 13	x6
		Art.nr-KL1T68		11 \varnothing 12.2	x10
3		x1			
4		x1		12 M12	x6
5		x1			

