

PPUH AUTO-HAK Sp.J.

Henryk i Zbigniew Nejman
ul. Słoneczna 16K 76-200 SŁUPSK
POLAND

tel/fax +48 59 8 414 414; +48 59 8 414 413

e-mail: office@autohak.com.pl

www.autohak.com.pl



AUTO-HAK



**KIA CEE'D SW
KOMBI, ~~GT~~**

Cat. no:

T66



09.2012 → 06.2018

e20

e20*94/20*1774*00

D

8,3 kN



2h



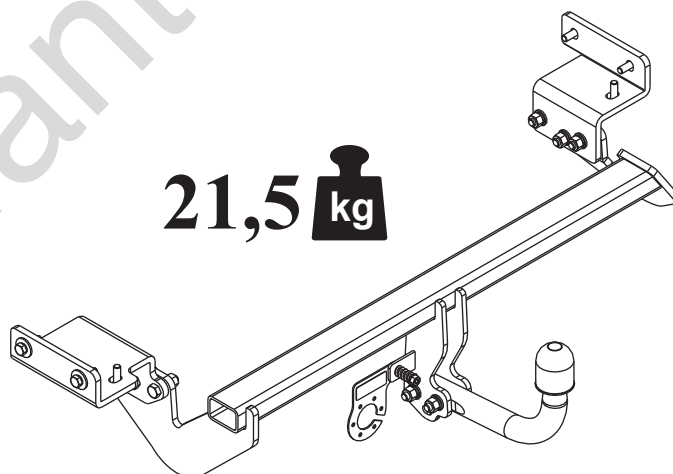
R=1500 kg



S=80 kg



21,5 kg



**M6 - 11 Nm
M10 - 50 Nm
M14 - 138 Nm**

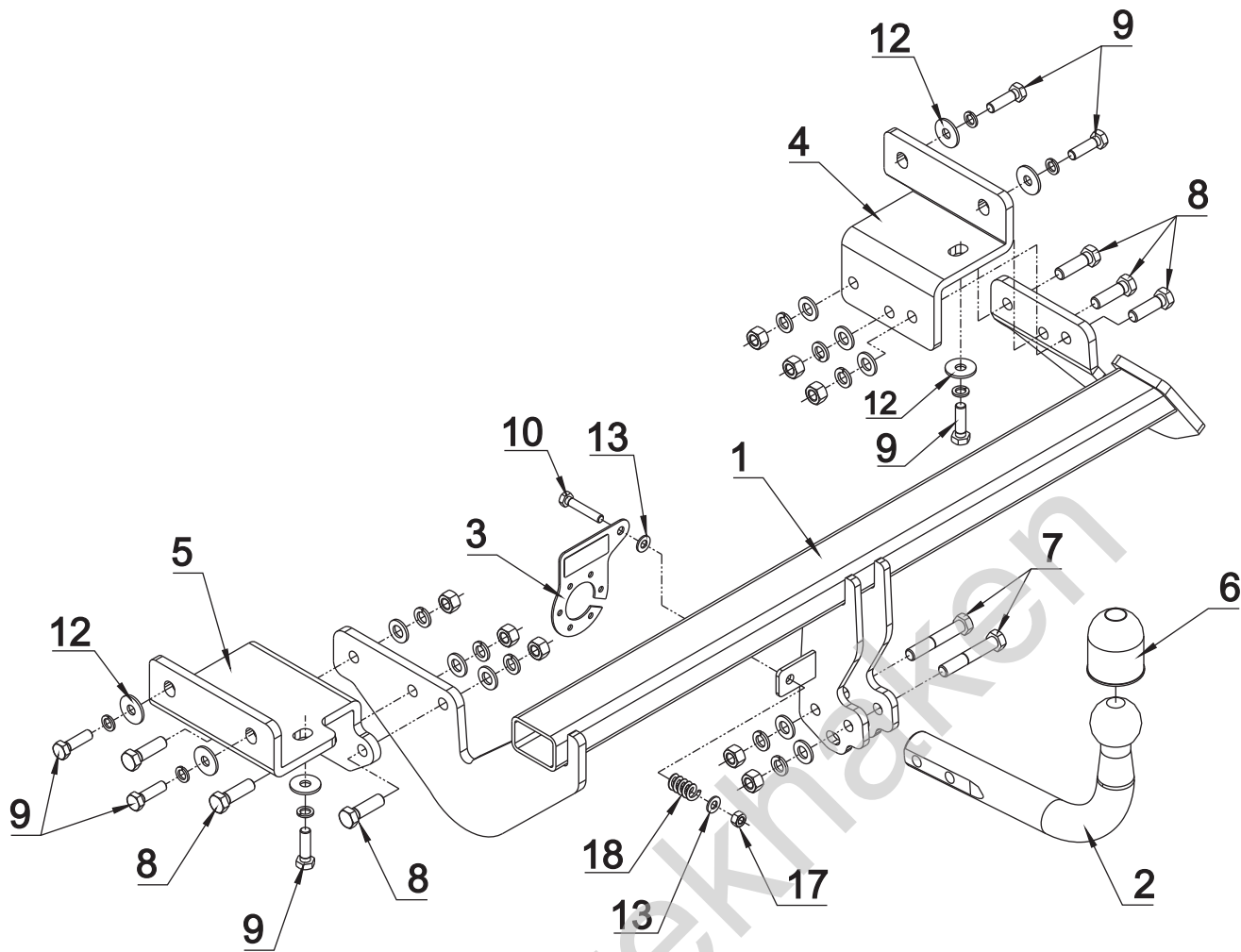
**M8 - 25 Nm
M12 - 87 Nm
M16 - 210 Nm**

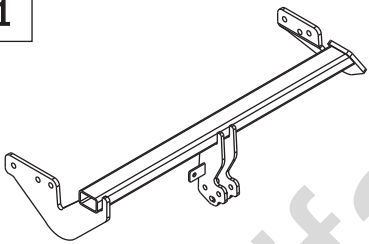



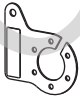

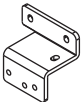

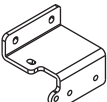
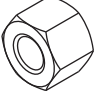



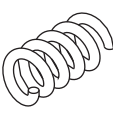


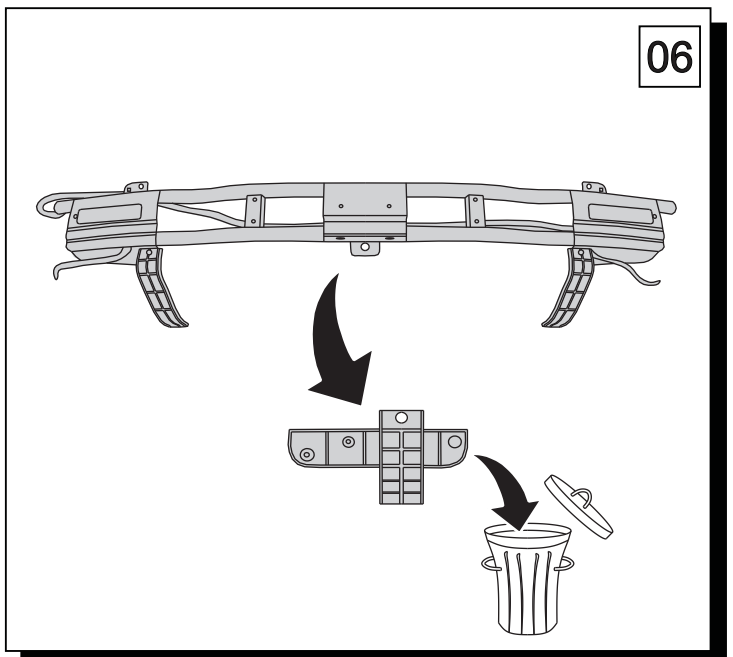
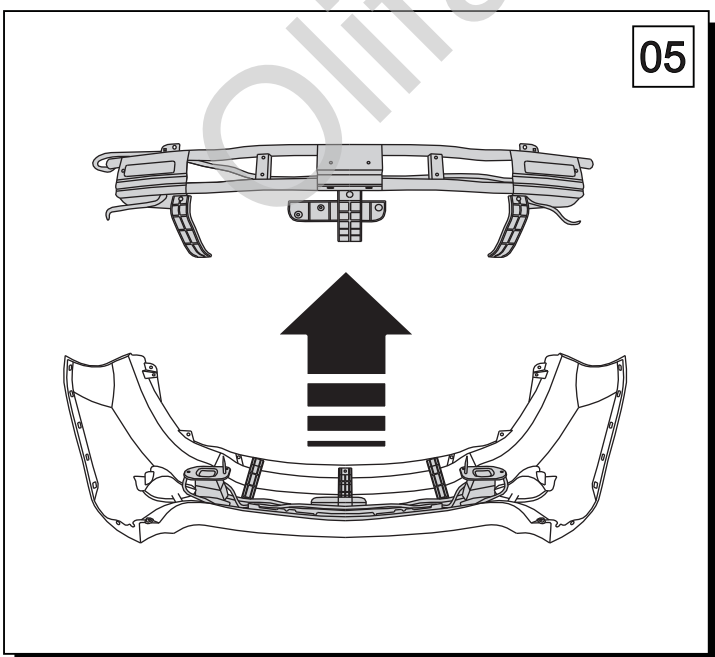
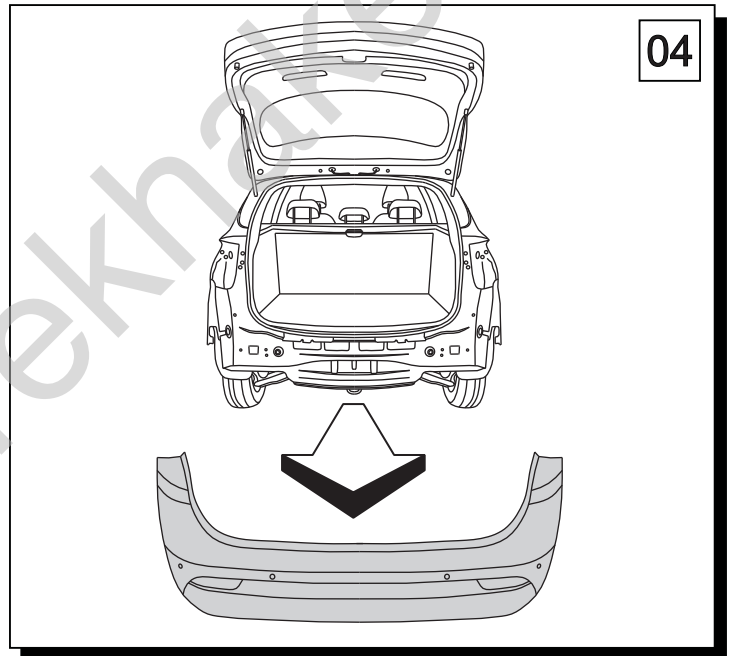
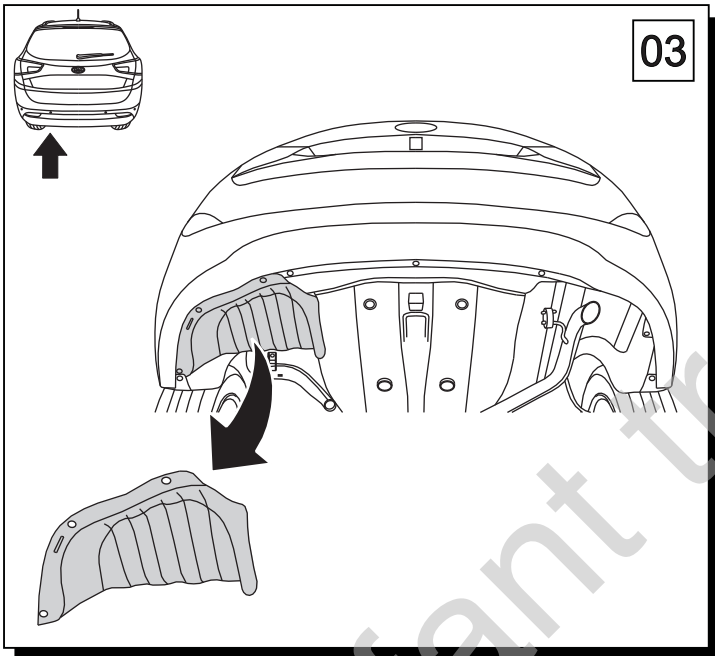
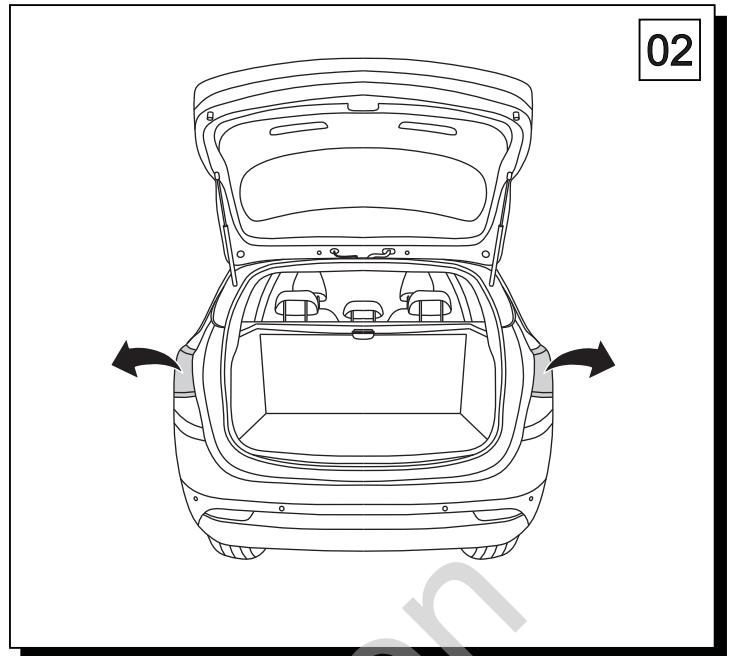
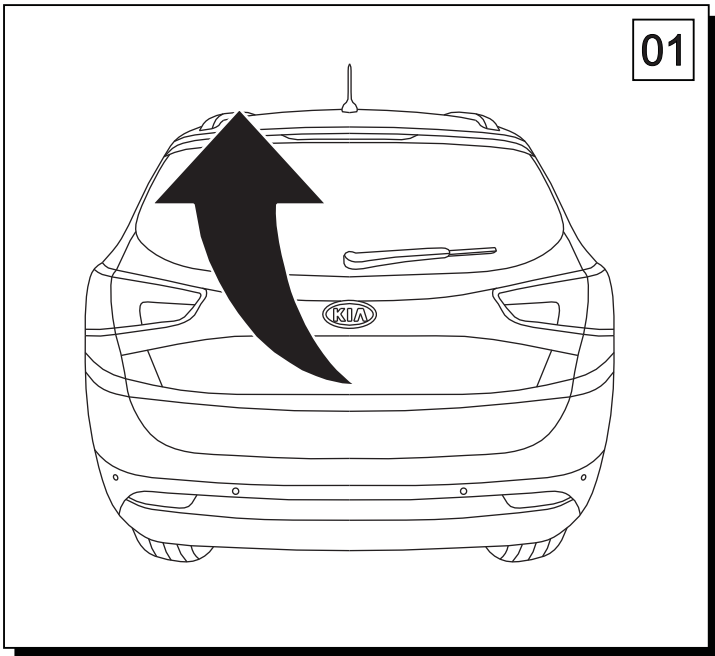
0 km →



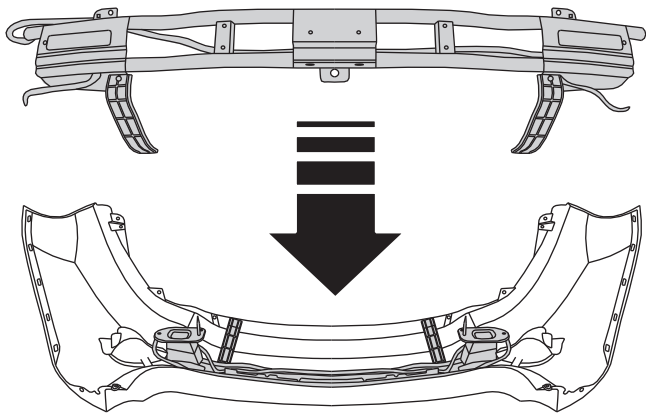
1000 km



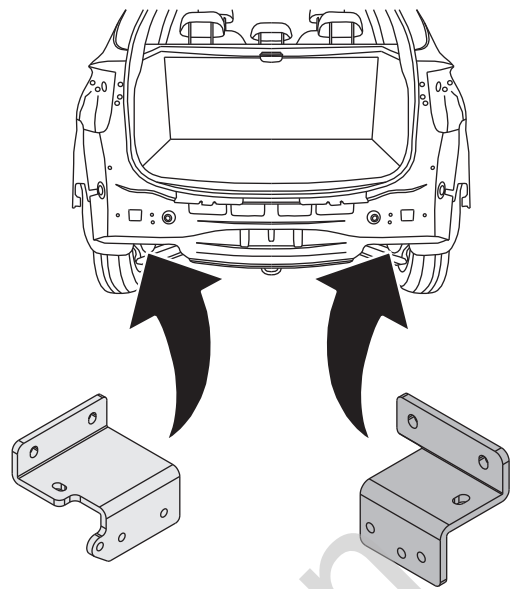
1		x1		7	M12x70	x2
2		x1 Art.nr-KL1T66		8	M12x40	x6
3		x1 Art.nr-BL1T66		9	M10x1,25x35	x6
4		x1		10	M8x45	x1
5		x1		11	∅ 13	x8
6		x1		12	∅ 30x∅10.5x2.5 10 (DIN 9021)	x6
				13	∅ 8.4	x2
				14	∅ 12.2	x8
				15	∅ 10.2	x6
				16	M12	x8
				17	M8	x1
			18			x1



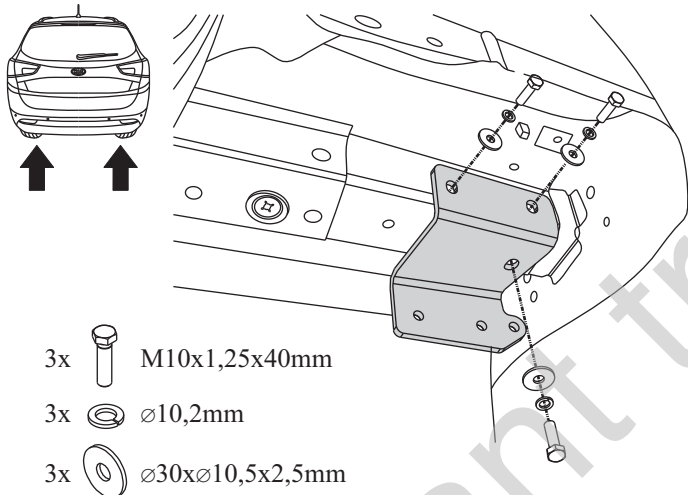
07



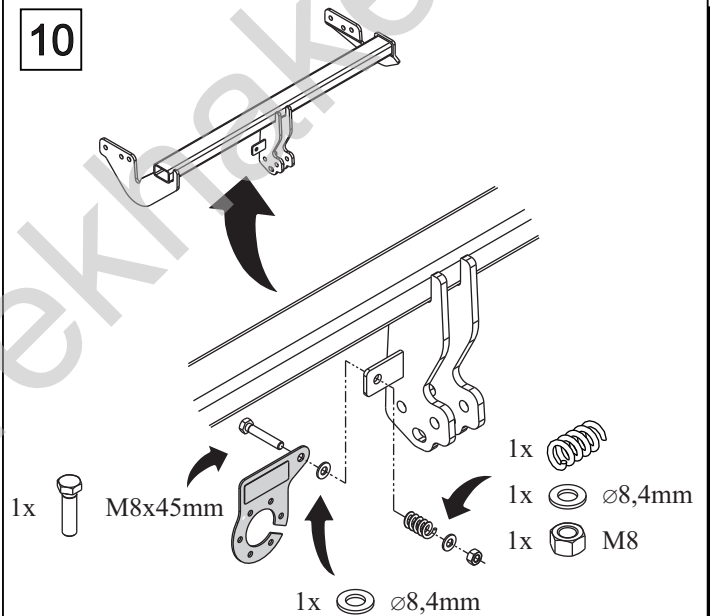
08



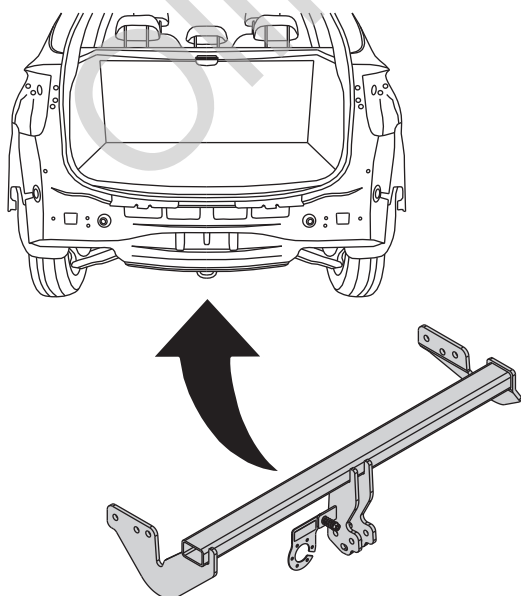
09



10



11



12

