

# PPUH AUTO-HAK Sp.J.

Henryk i Zbigniew Nejman  
ul. Słoneczna 16K 76-200 SŁUPSK  
POLAND

tel/fax +48 59 8 414 414; +48 59 8 414 413

e-mail: [office@autohak.com.pl](mailto:office@autohak.com.pl)

[www.autohak.com.pl](http://www.autohak.com.pl)



# AUTO-HAK



**KIA CEE'D, 3/5 D  
PRO CEE'D**

Cat. no:

**T65A**



06.2012 →

e20

e20\*94/20\*1689\*00

D

8,3 kN



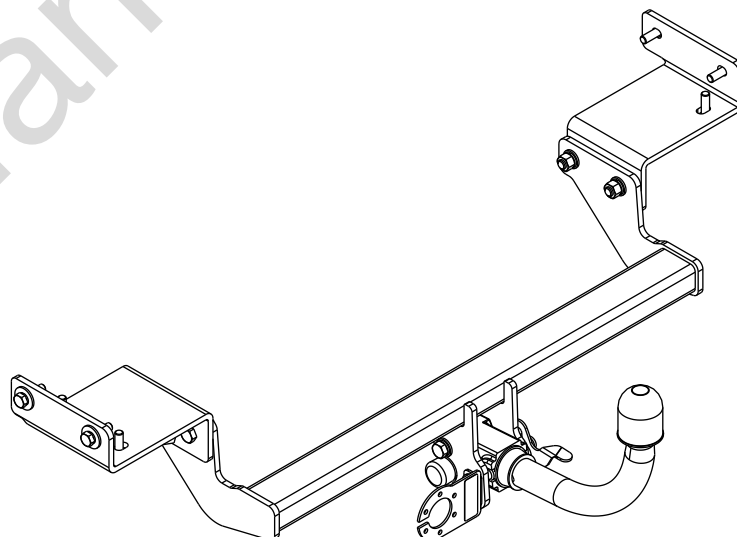
R=1500 kg

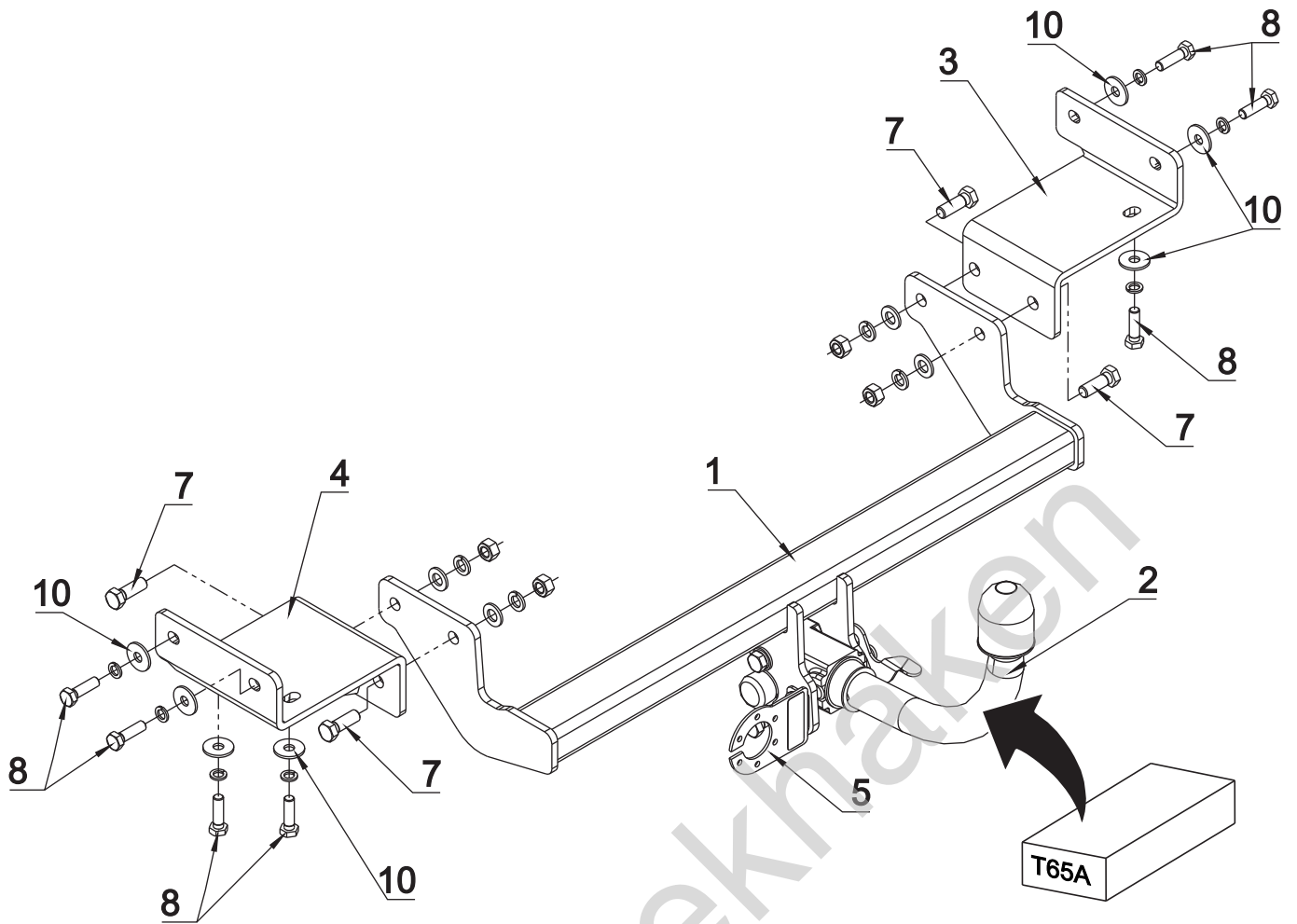


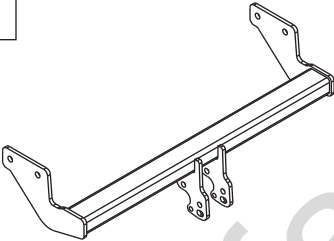


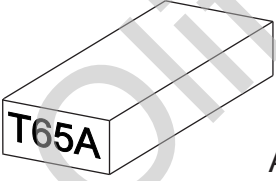

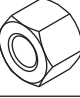
S=80 kg

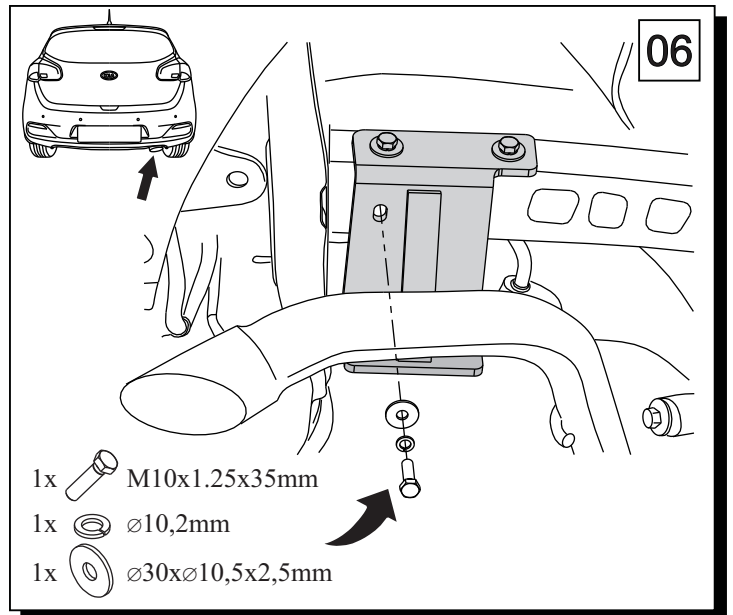
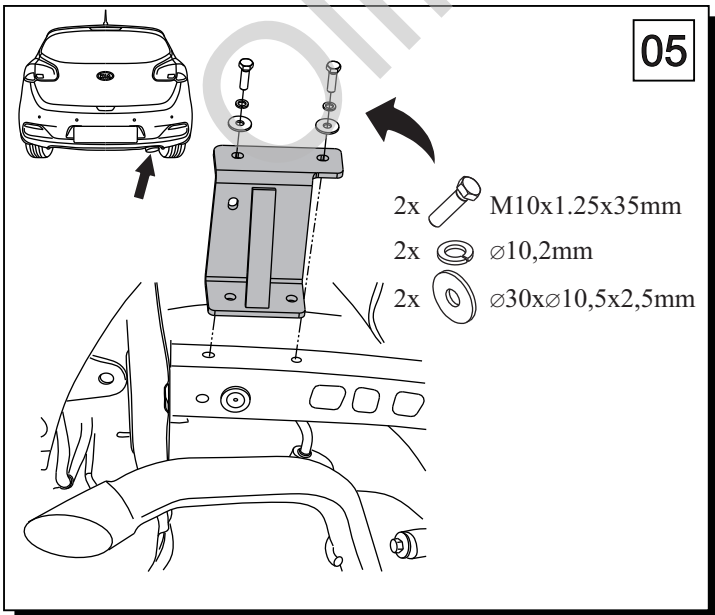
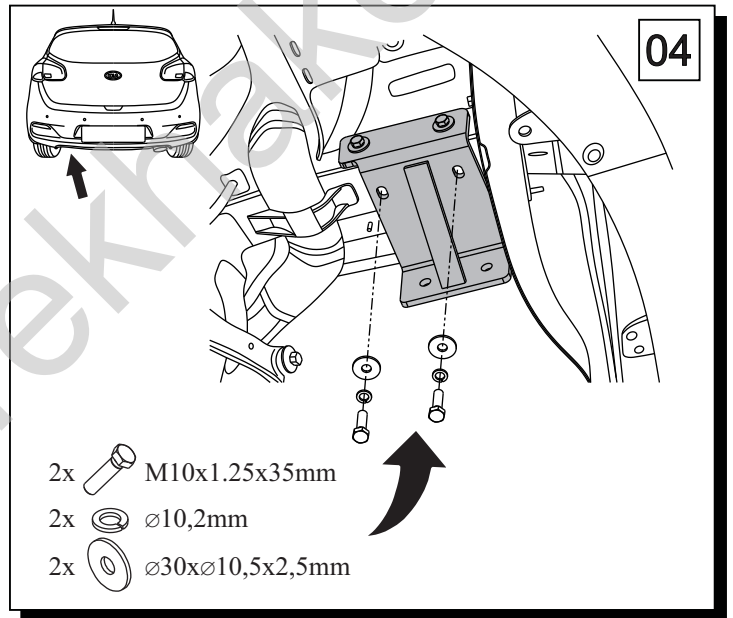
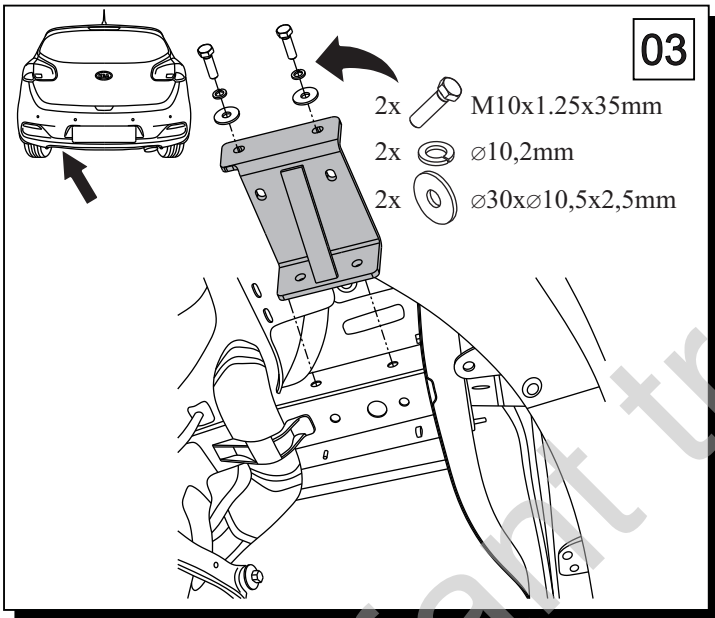
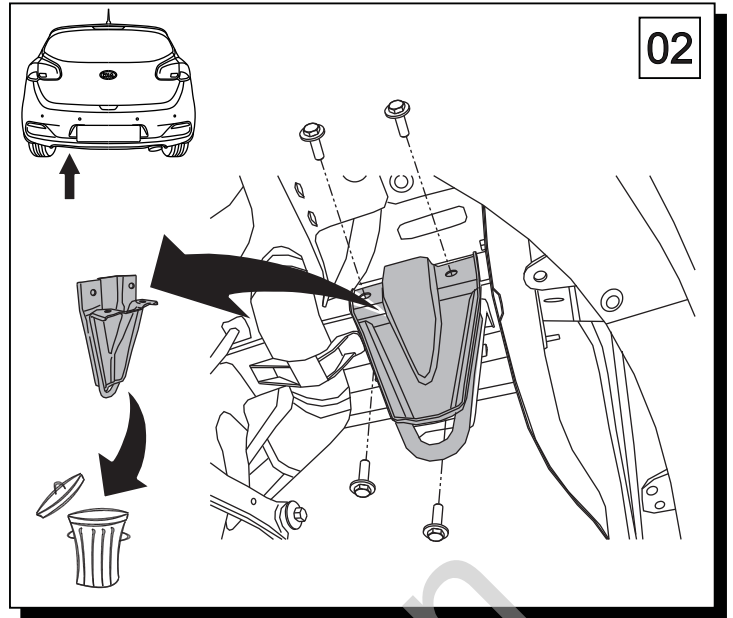
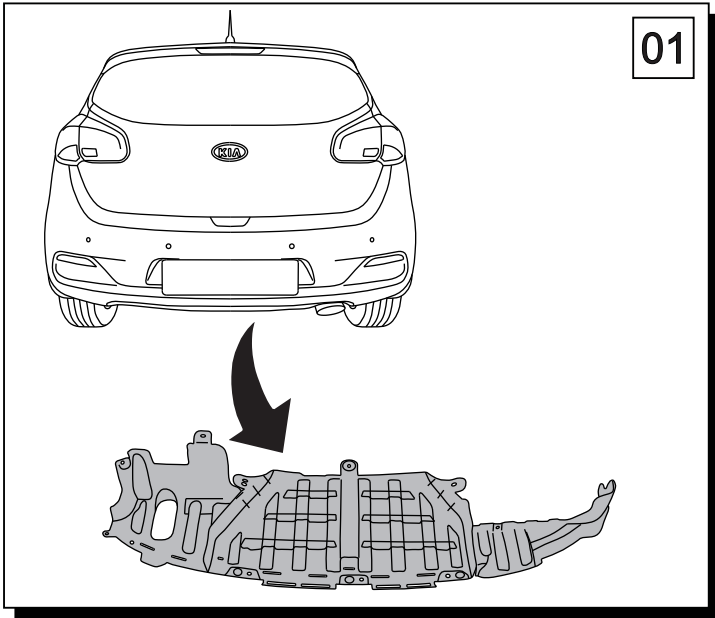


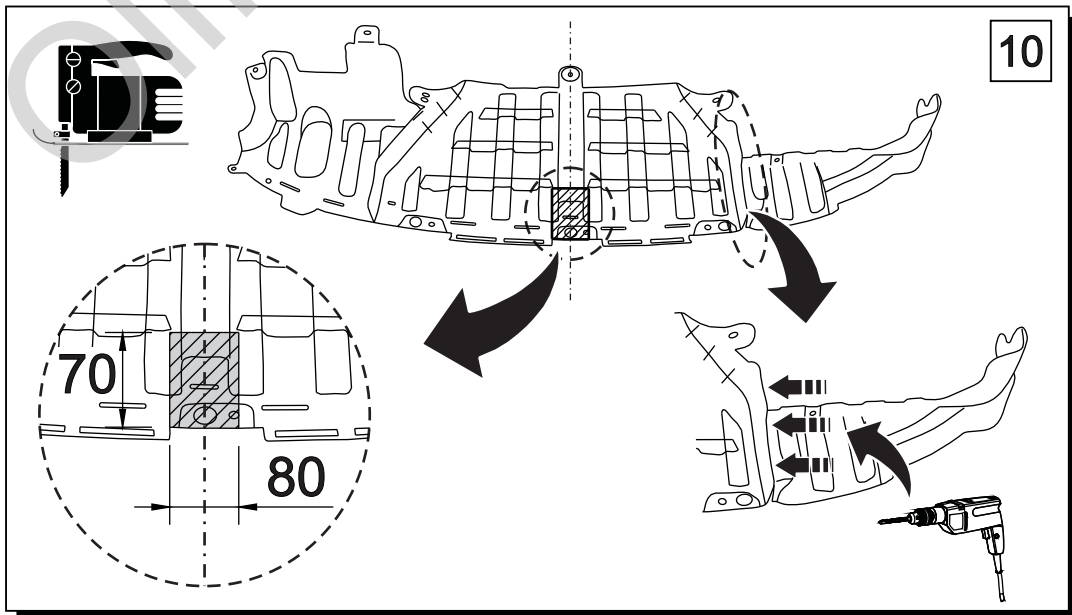
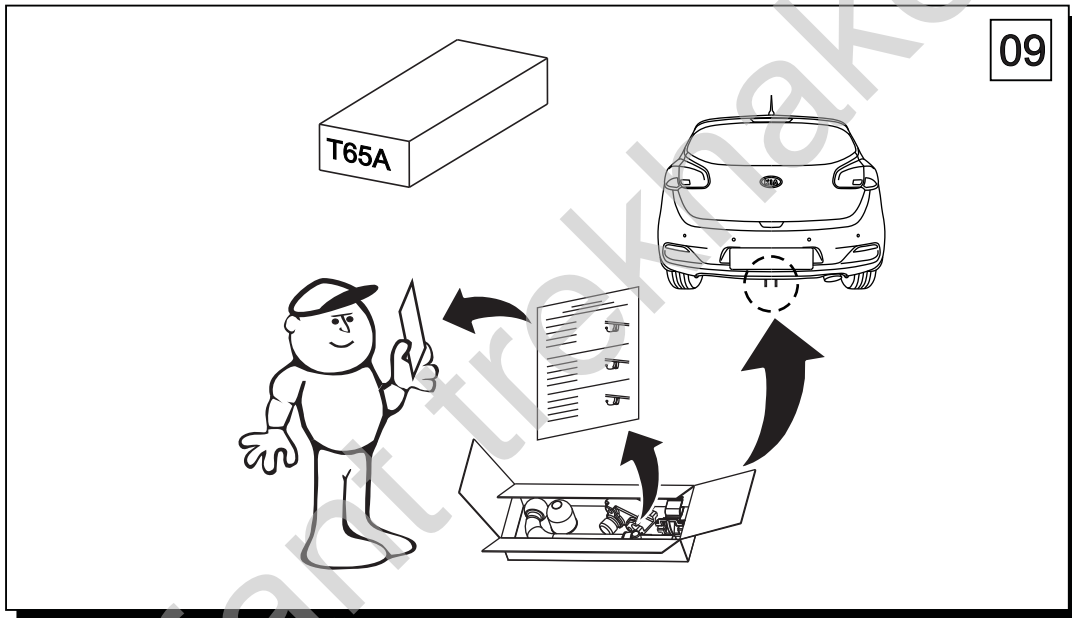
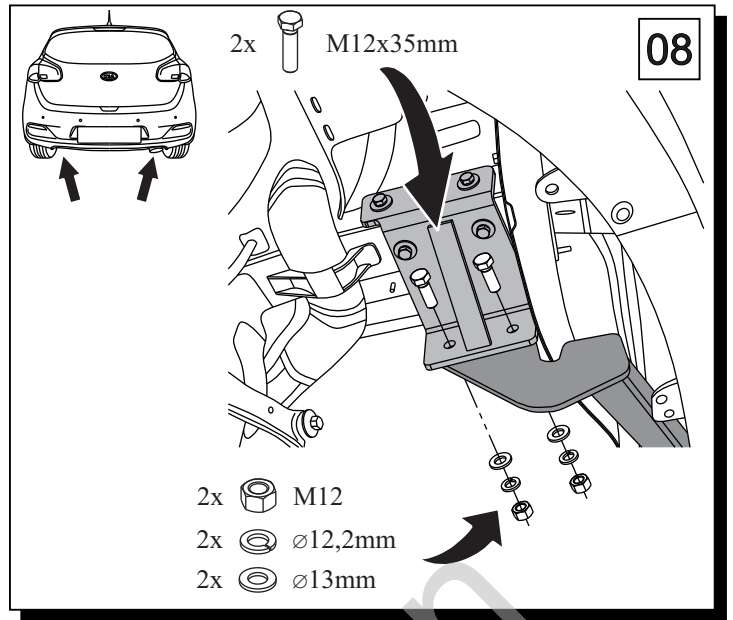
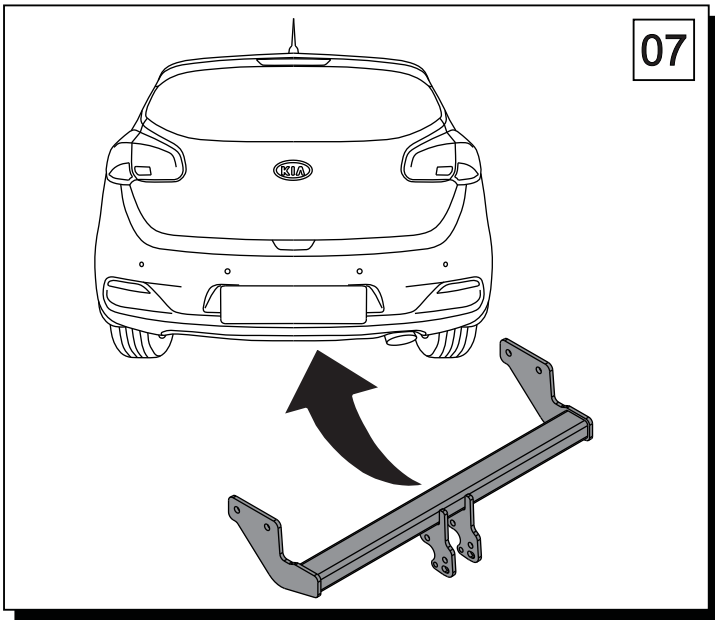
2h

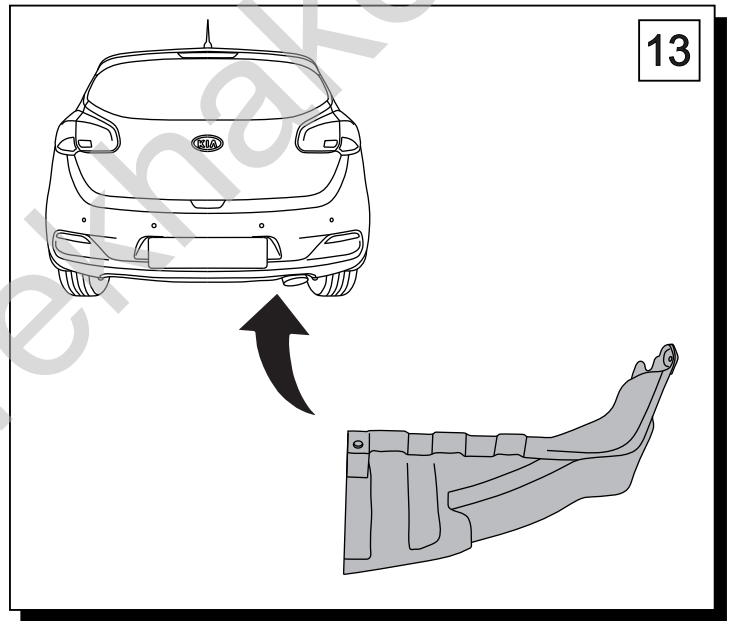
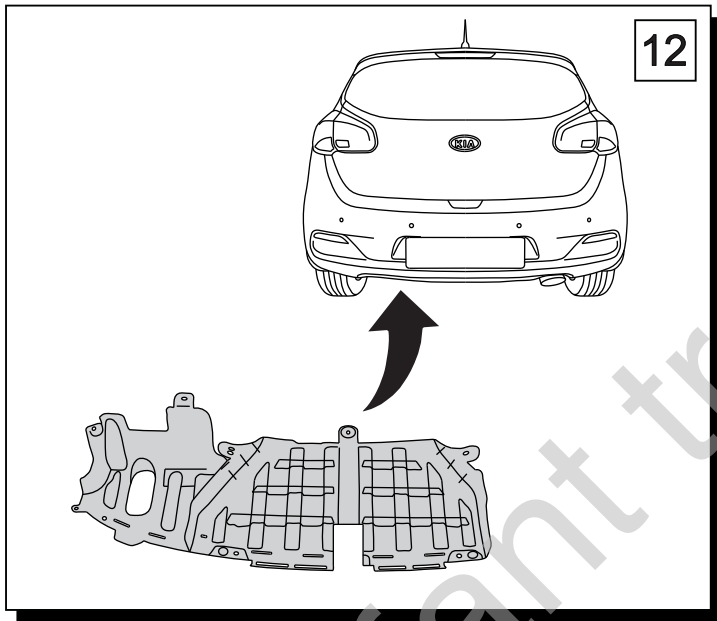
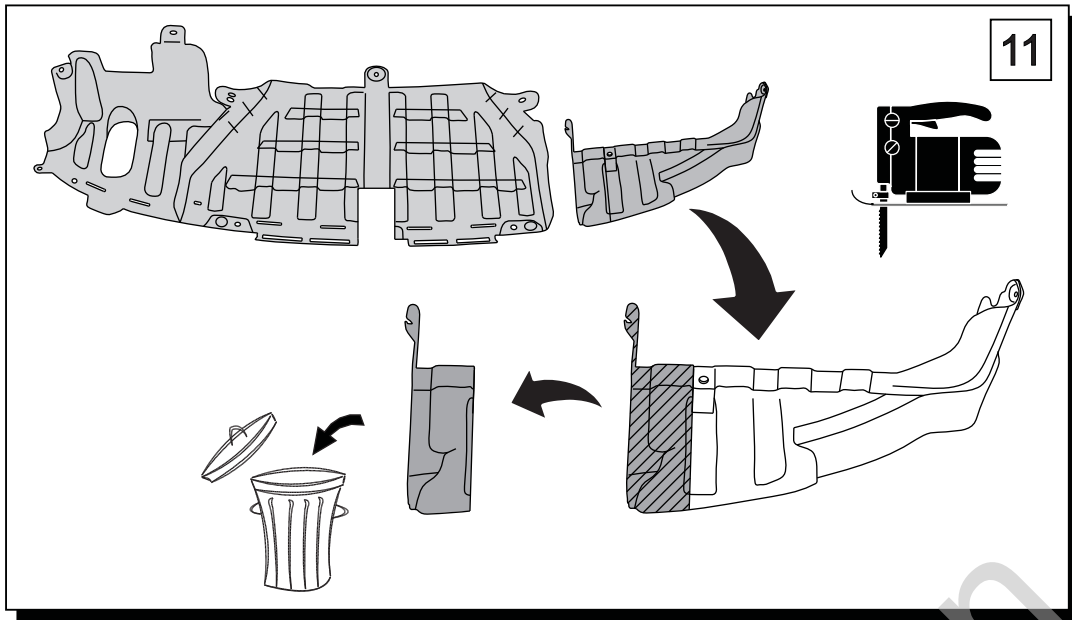







<b>1</b> 	<b>x 1</b>		<b>7</b> M12x35	<b>4</b>	
				<b>8</b> M10x1.25x35	<b>7</b>
				<b>9</b> $\varnothing$ 13	<b>4</b>
				<b>10</b> $\varnothing$ 30x $\varnothing$ 10.5x2.5 10 DIN 9021	<b>7</b>
<b>2</b>  Art.nr-KL1T65A	<b>x 1</b>		<b>11</b> $\varnothing$ 12.2	<b>4</b>	
			<b>12</b> $\varnothing$ 10.2	<b>7</b>	
				<b>13</b> M12	<b>4</b>
<b>3</b>	<b>x 1</b>				
<b>4</b>	<b>x 1</b>				
<b>5</b>	<b>x 1</b> Art.nr-BL1T65A				
<b>6</b>	<b>x 1</b>				







	<b>M6</b>	-	11 Nm	<b>M8</b>	-	25 Nm
	<b>M10</b>	-	50 Nm	<b>M12</b>	-	87 Nm
	<b>M14</b>	-	138 Nm	<b>M16</b>	-	210 Nm
	 <b>0 km</b> →  <b>1000 km</b>					