

# PPUH AUTO-HAK Sp.J.

Henryk i Zbigniew Nejman  
ul. Słoneczna 16K 76-200 SŁUPSK  
POLAND

tel/fax +48 59 8 414 414; +48 59 8 414 413

e-mail: [office@autohak.com.pl](mailto:office@autohak.com.pl)

[www.autohak.com.pl](http://www.autohak.com.pl)



# AUTO-HAK



**KIA OPTIMA 4D**

~~HYBRID~~

Cat. no:

**T64A**



04.2012 → 2015

e20

e20\*94/20\*1665\*00



2h

D

9,91 kN



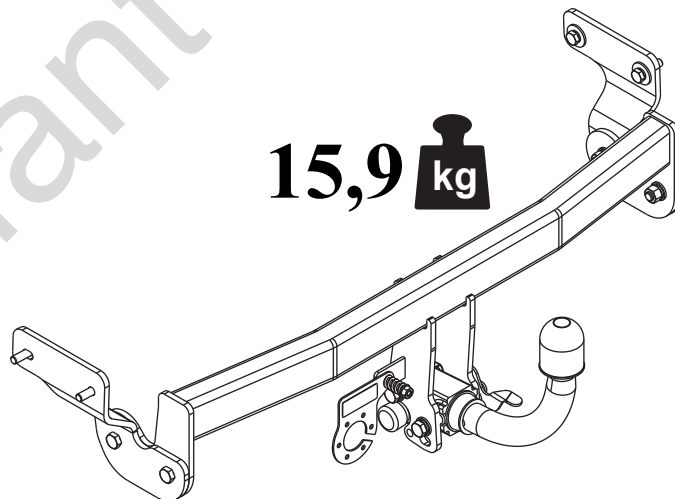
R=1800 kg



S=85 kg



15,9 kg



M6 - 11 Nm  
M10 - 50 Nm  
M14 - 138 Nm

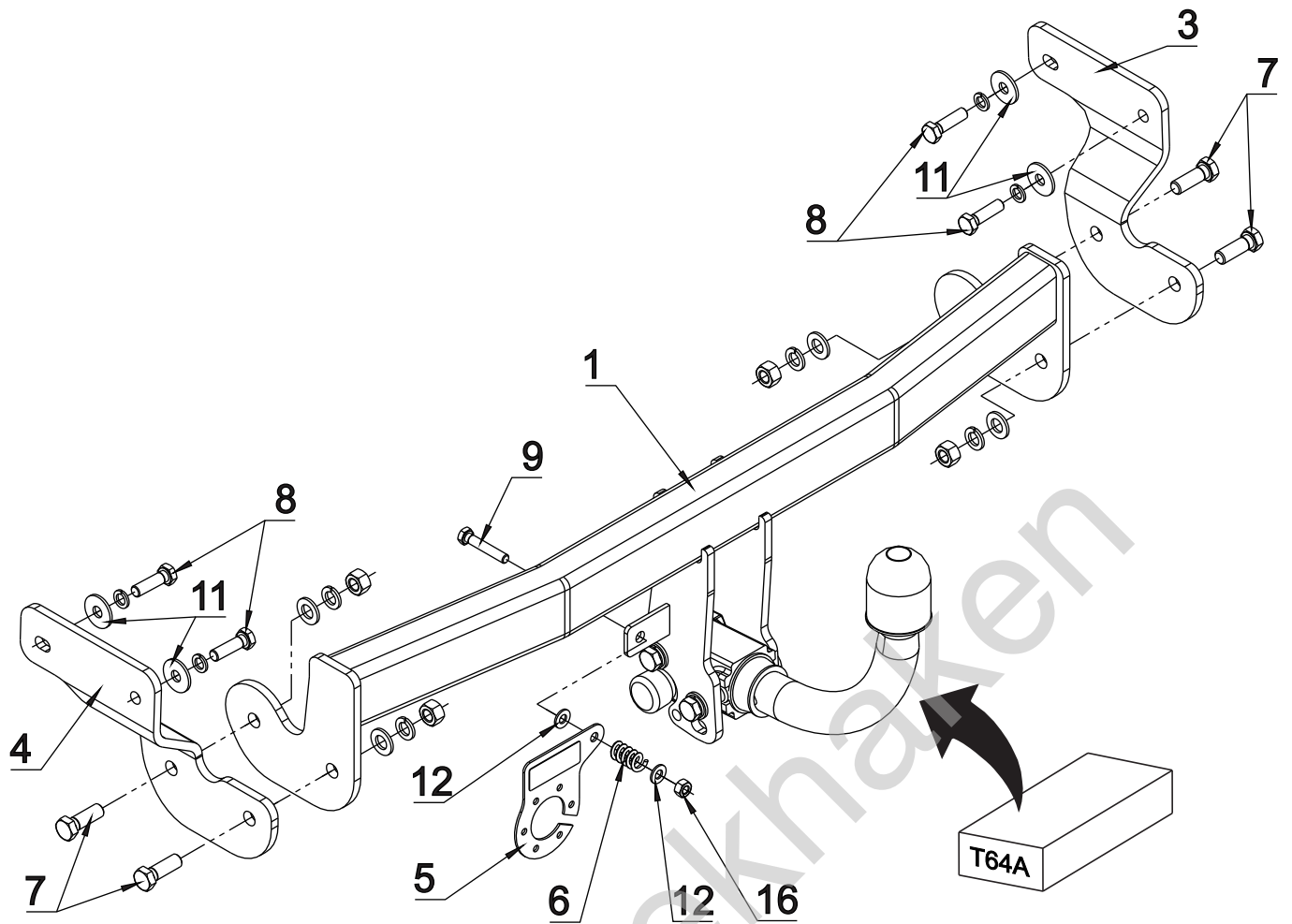
M8 - 25 Nm  
M12 - 87 Nm  
M16 - 210 Nm

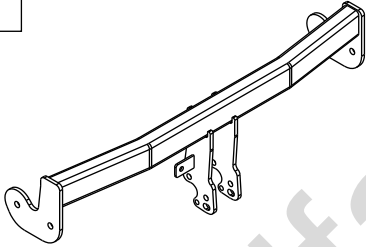
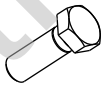
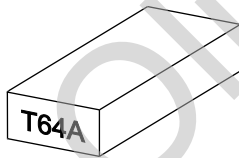





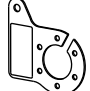
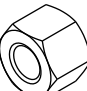
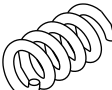
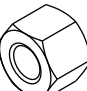


0 km →



1000 km



1		x 1		7	M12x35	4
				8	M10x1.25x35	4
2		x 1		9	M8x45	1
				10	∅ 13	4
3		x 1		11	∅ 30x∅10.5x2.5	4
				10	DIN 9021	4
4		x 1		12	∅ 8.4	2
				13	∅ 12.2	4
5		x 1		14	∅ 10.2	4
				15	M12	4
6		x 1		16	M8	1

