

# PPUH AUTO-HAK Sp.J.

Henryk i Zbigniew Nejman  
ul. Słoneczna 16K 76-200 SŁUPSK  
POLAND

tel/fax +48 59 8 414 414; +48 59 8 414 413

e-mail: [office@autohak.com.pl](mailto:office@autohak.com.pl)

[www.autohak.com.pl](http://www.autohak.com.pl)



# AUTO-HAK



**KIA RIO II 5D**

Cat. no:

**T60A**



10.2009 → 08.2011

**e20**

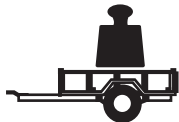
e20\*94/20\*1302\*00

**D**

6,5 kN



**1,5h**



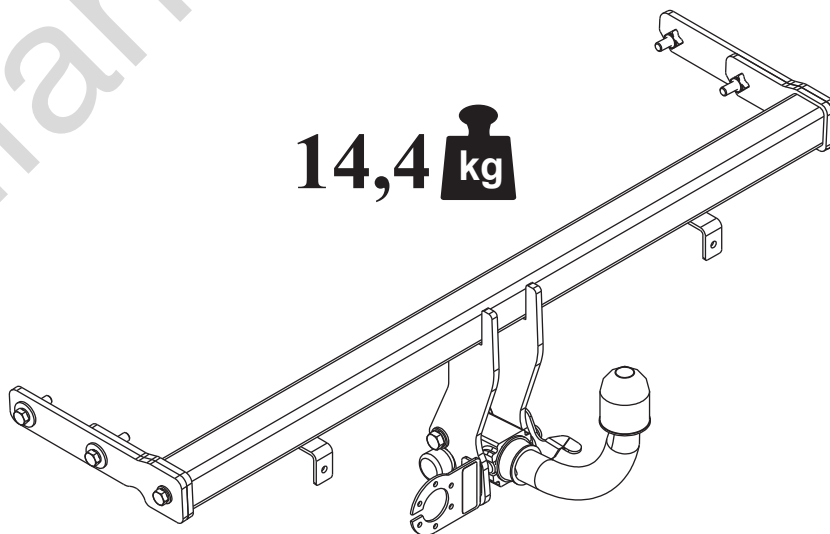
R=1100 kg

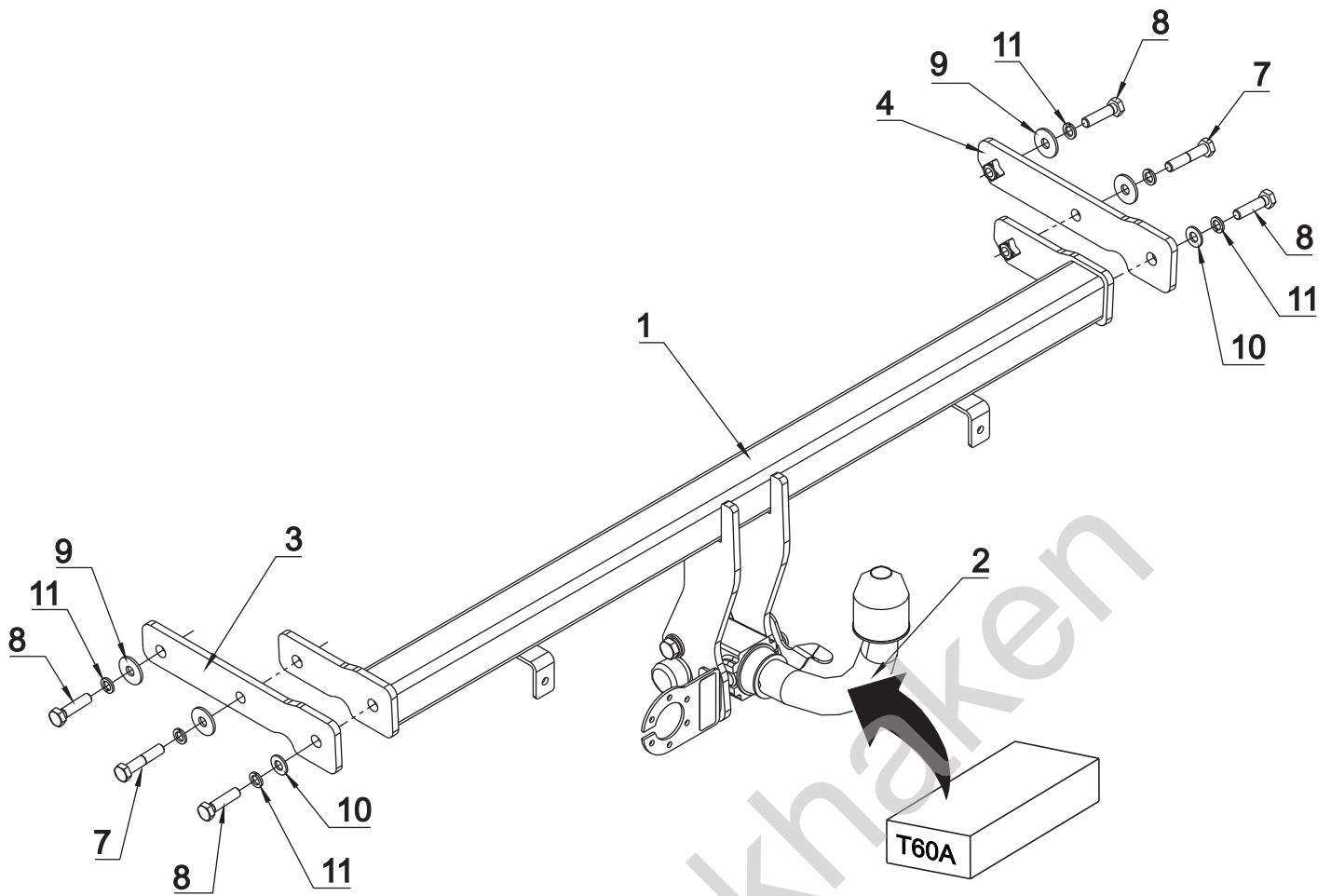


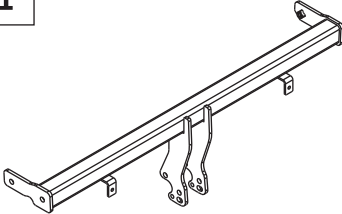




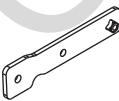
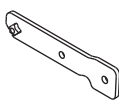
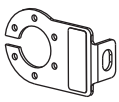

S=60 kg

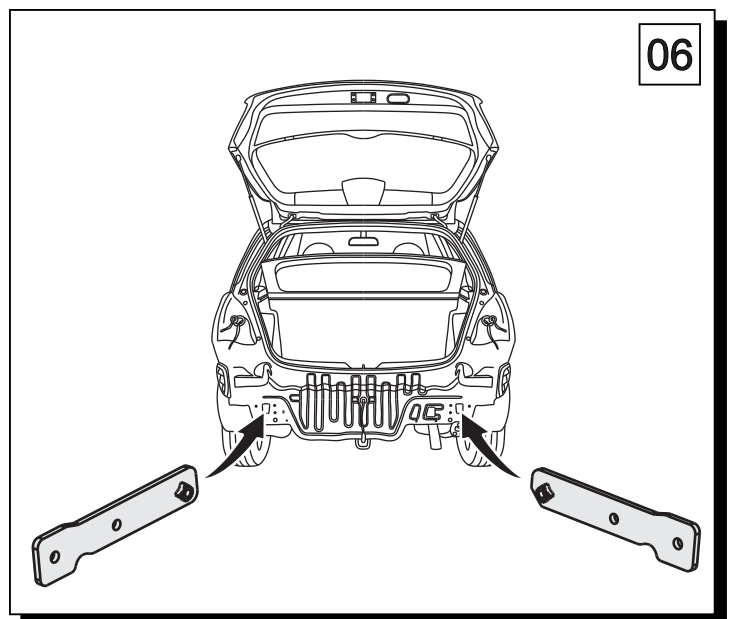
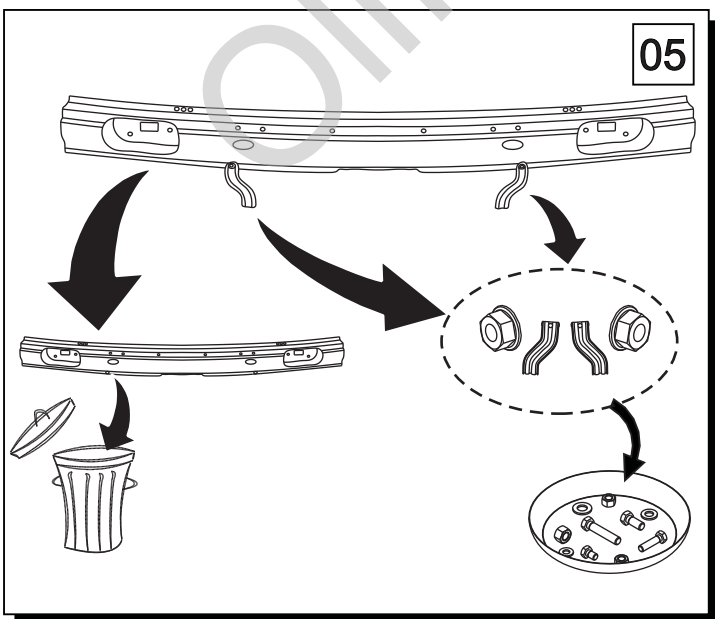
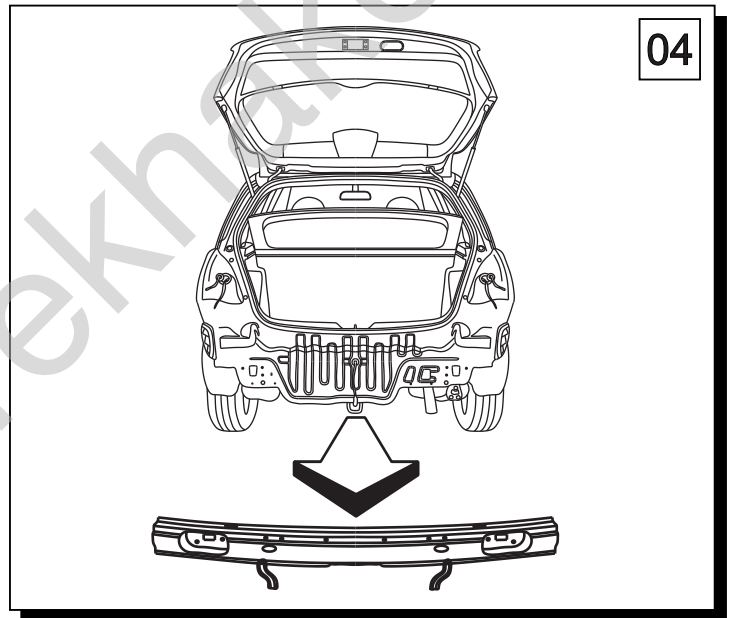
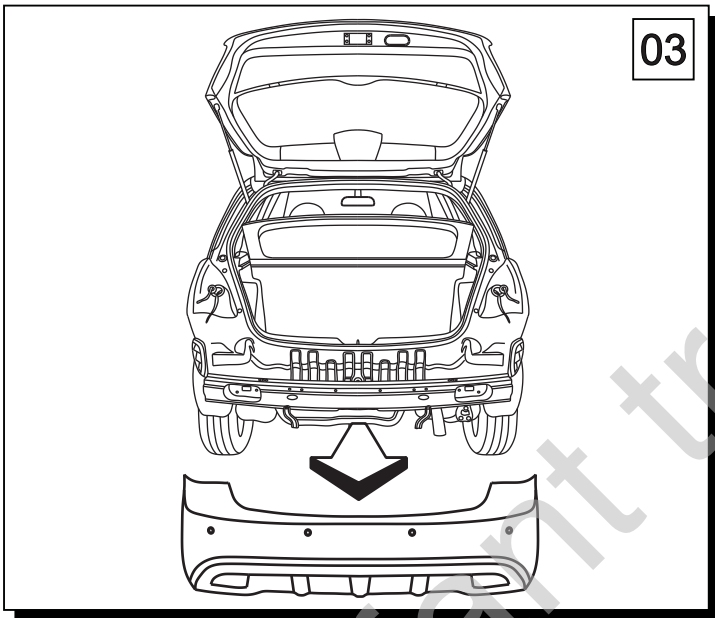
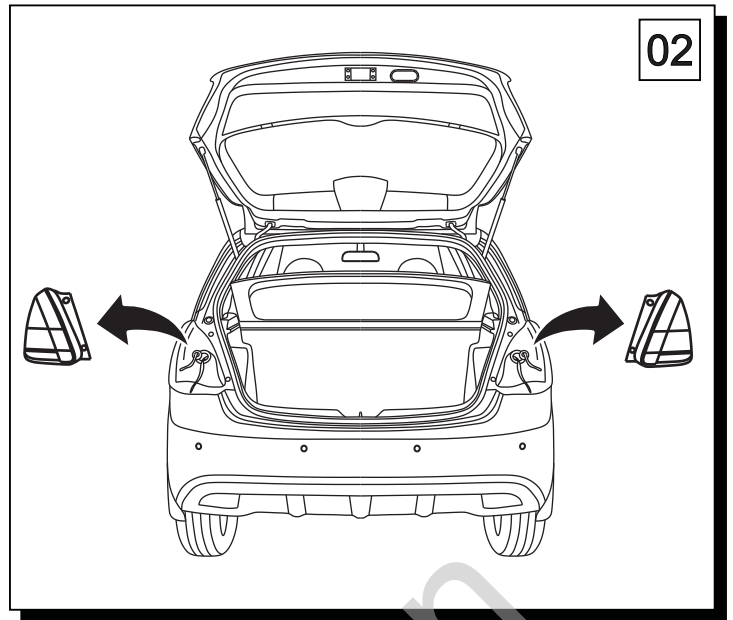
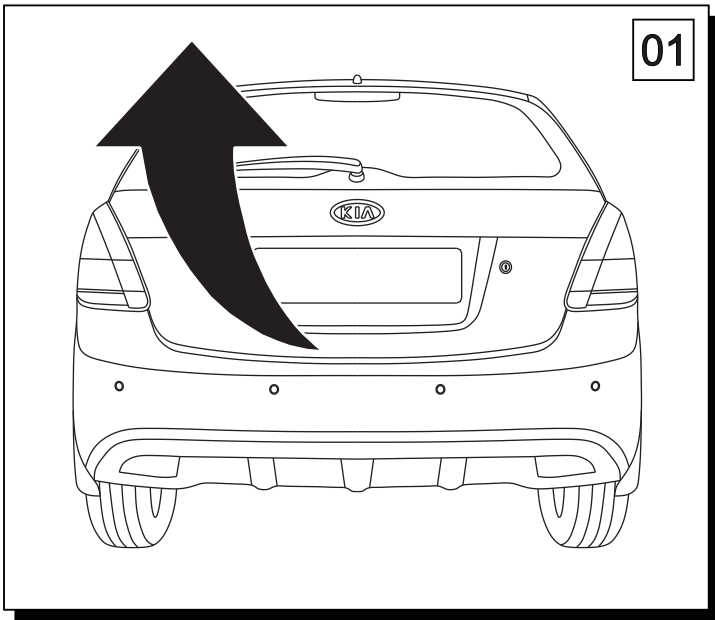


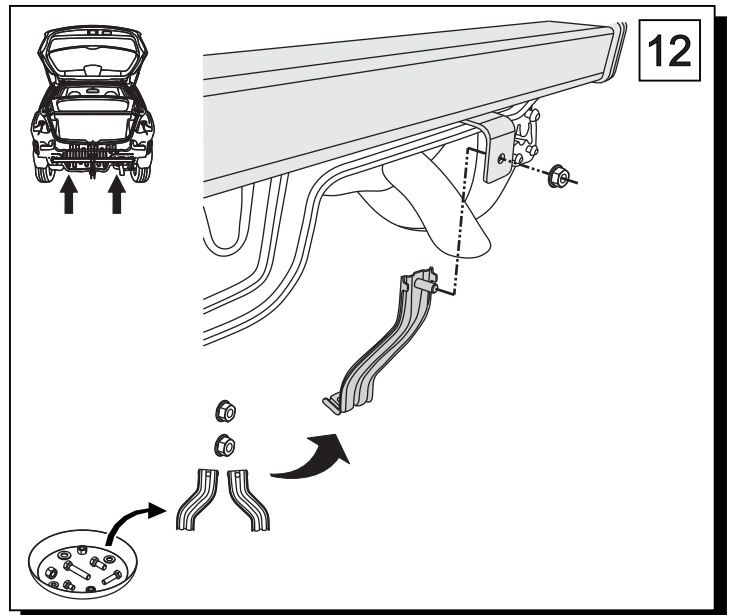
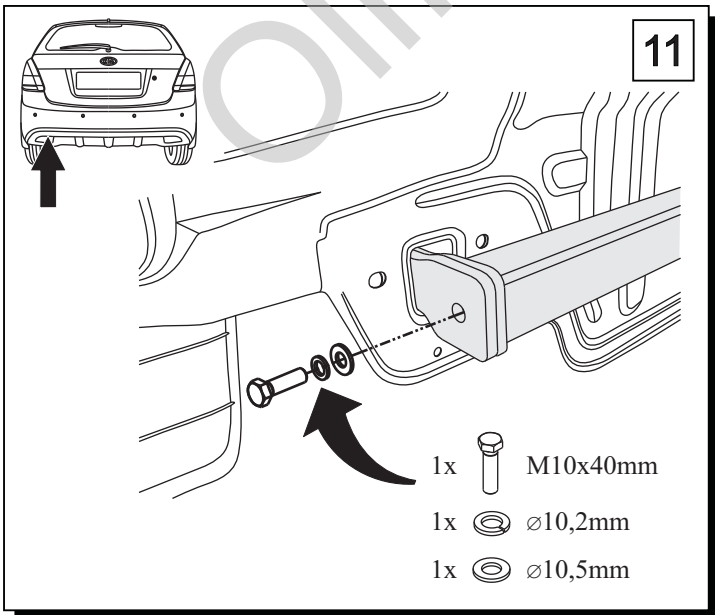
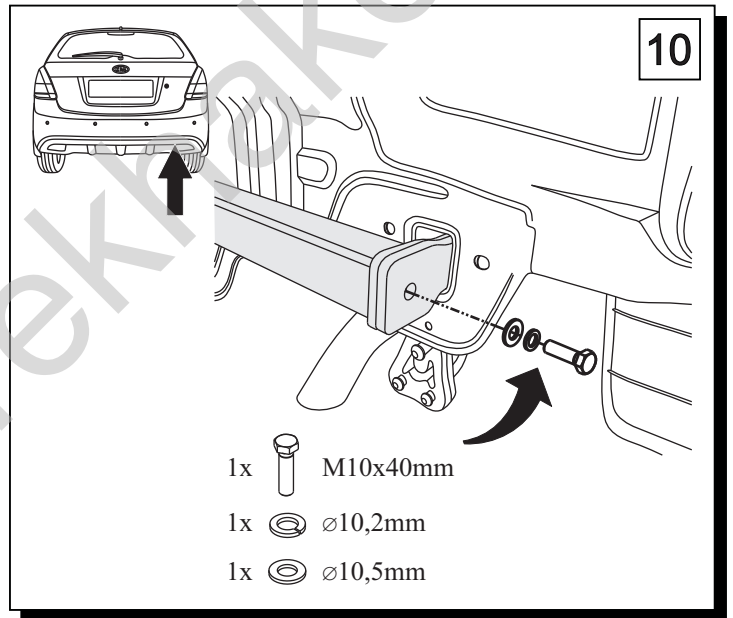
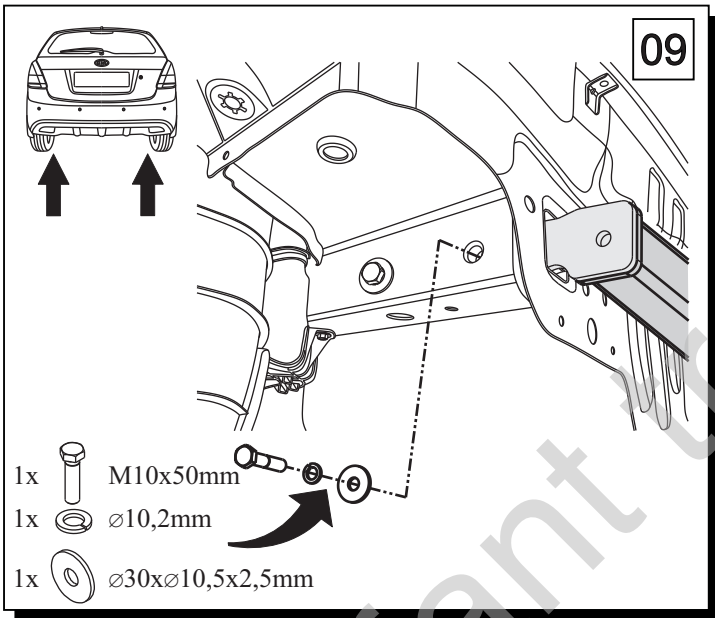
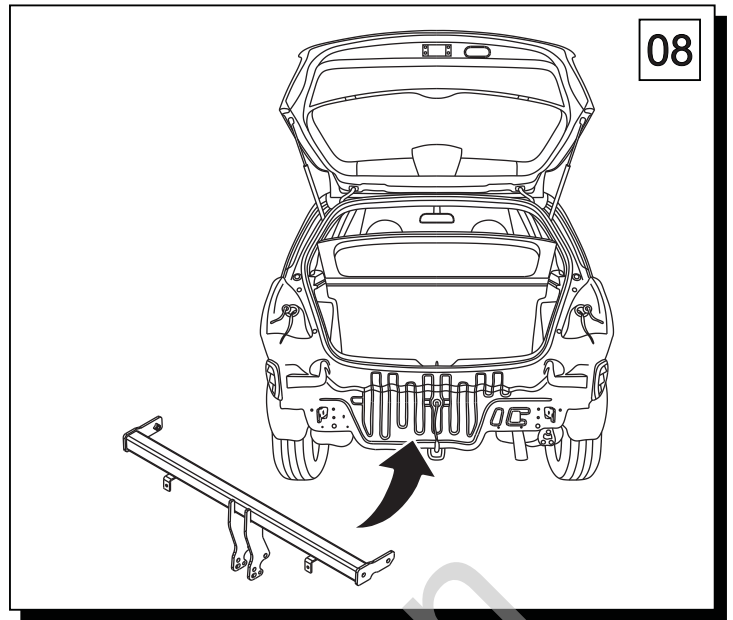
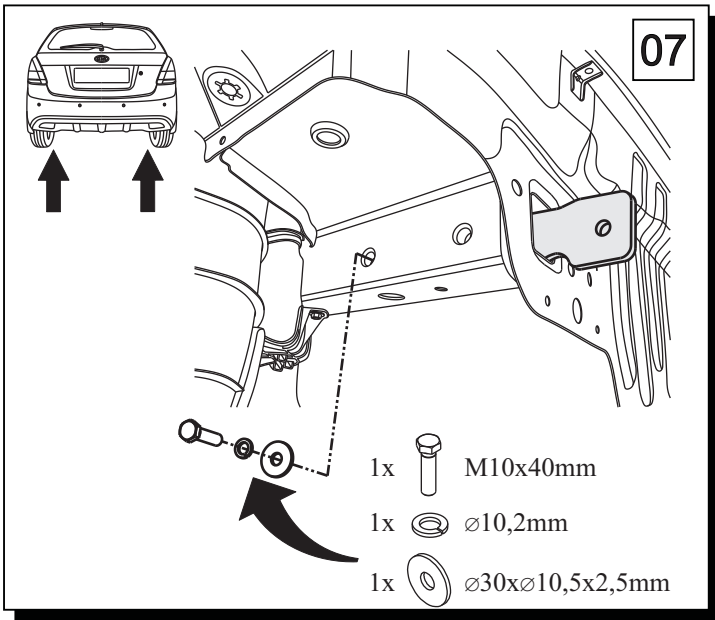
**14,4 kg**

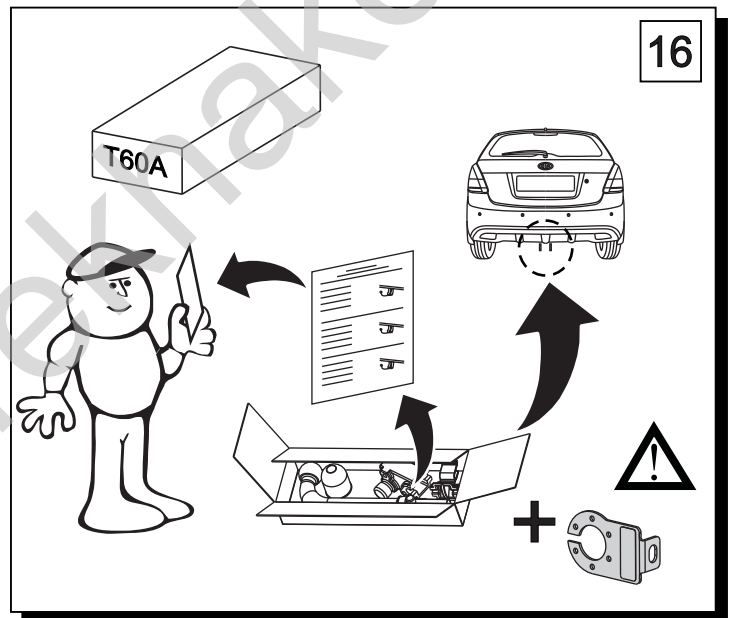
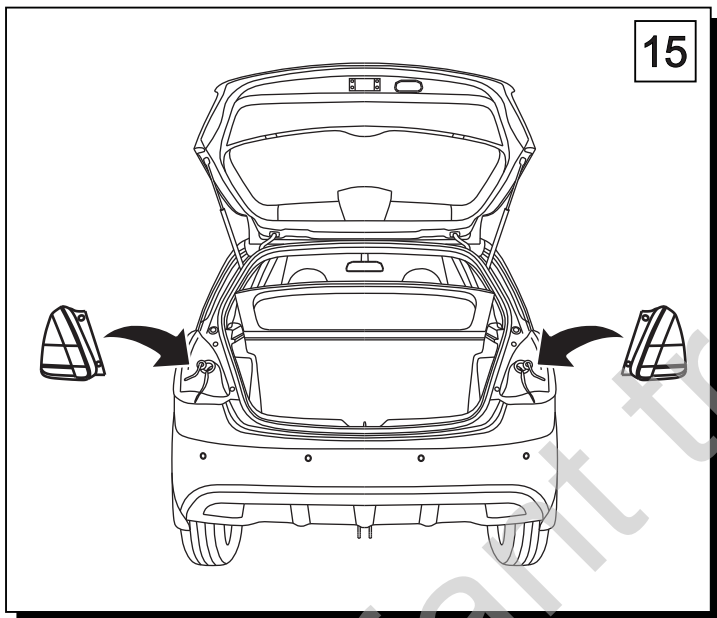
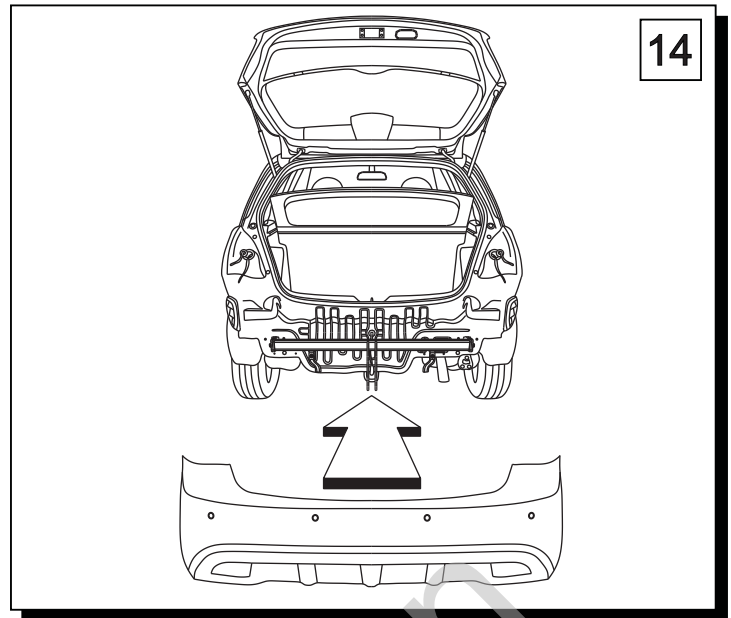
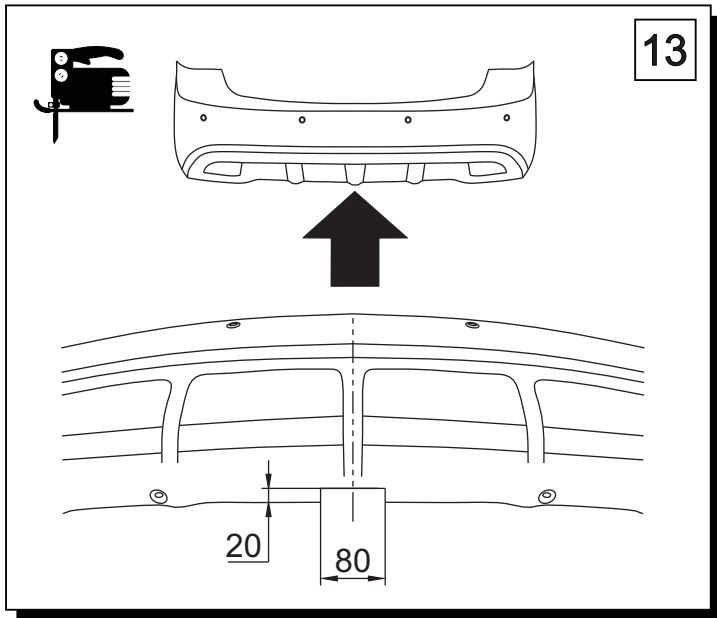







	x1		7	M10x50	x2
			8	M10x40	x4
	x1		9	∅ 30x∅10.5x2.5 10 (DIN 9021)	x4
			10	∅ 10.5	x2
			11	∅ 10.2	x6
	Art.nr-KL1T60A				
	x1				
	x1				
	x1				
	Art.nr-BL1T60A				
	x1				







	<b>M6</b> - 11 Nm	<b>M8</b> - 25 Nm
	<b>M10</b> - 50 Nm	<b>M12</b> - 87 Nm
	<b>M14</b> - 138 Nm	<b>M16</b> - 210 Nm

 **0 km** →  **1000 km**