

# PPUH AUTO-HAK Sp.J.

Henryk i Zbigniew Nejman  
ul. Słoneczna 16K 76-200 SŁUPSK  
POLAND

tel/fax +48 59 8 414 414; +48 59 8 414 413

e-mail: [office@autohak.com.pl](mailto:office@autohak.com.pl)

[www.autohak.com.pl](http://www.autohak.com.pl)



# AUTO-HAK



**KIA RIO II 5D**

Cat. no:

**T60**



10.2009 → 08.2011

**e20**

e20\*94/20\*1301\*00

**D**

6,5 kN



**1,5h**



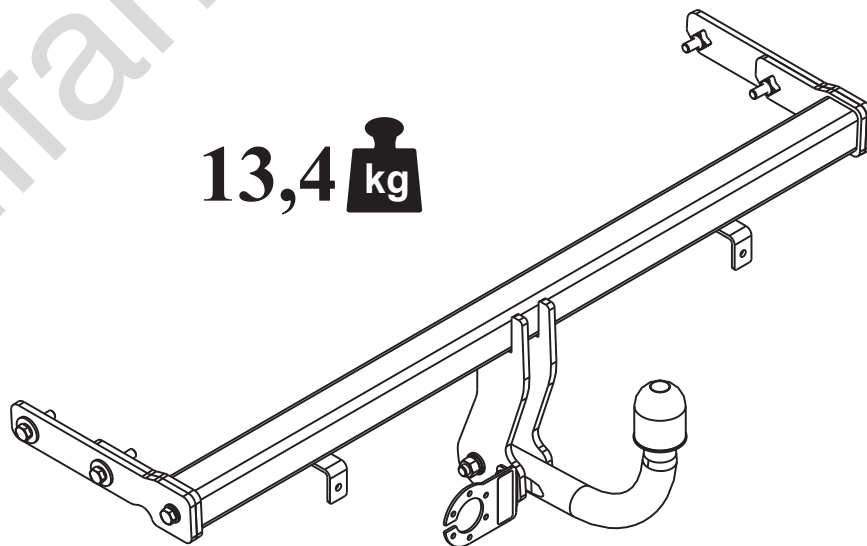
R=1100 kg

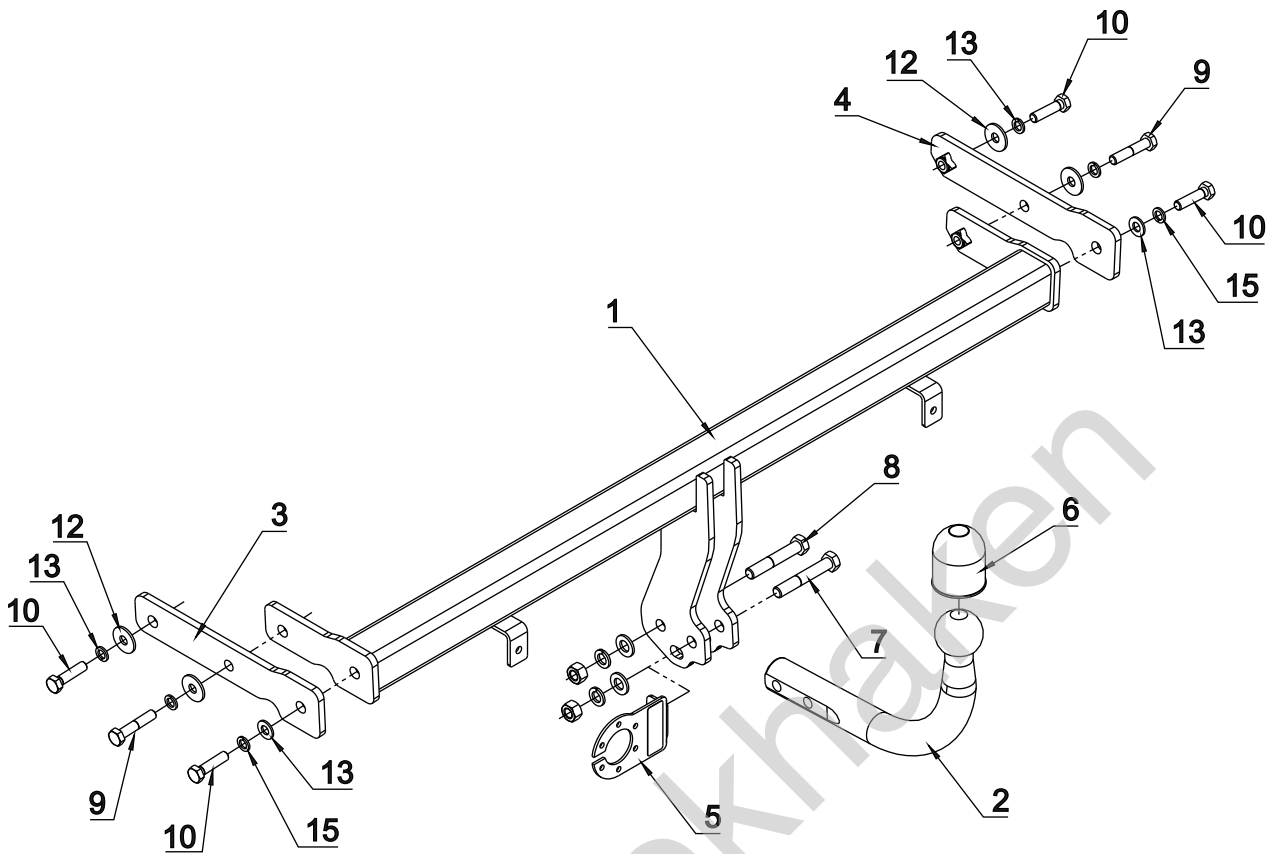


S=60 kg

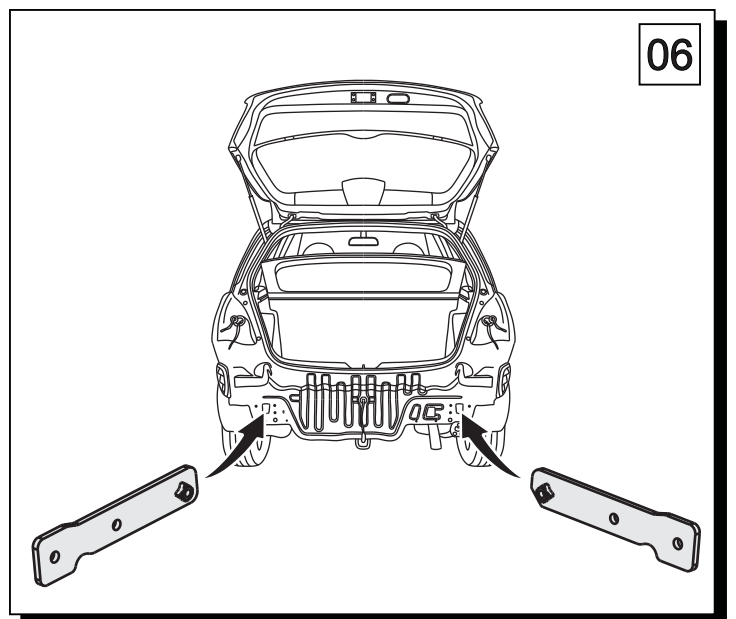
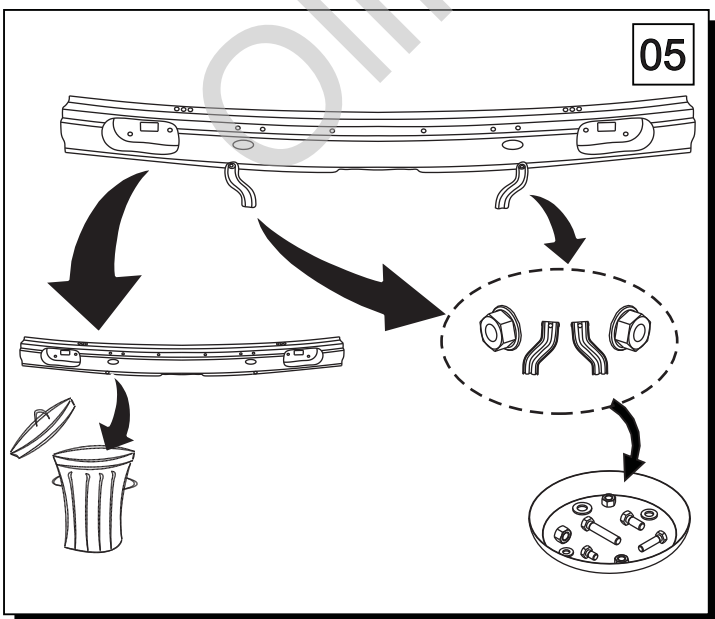
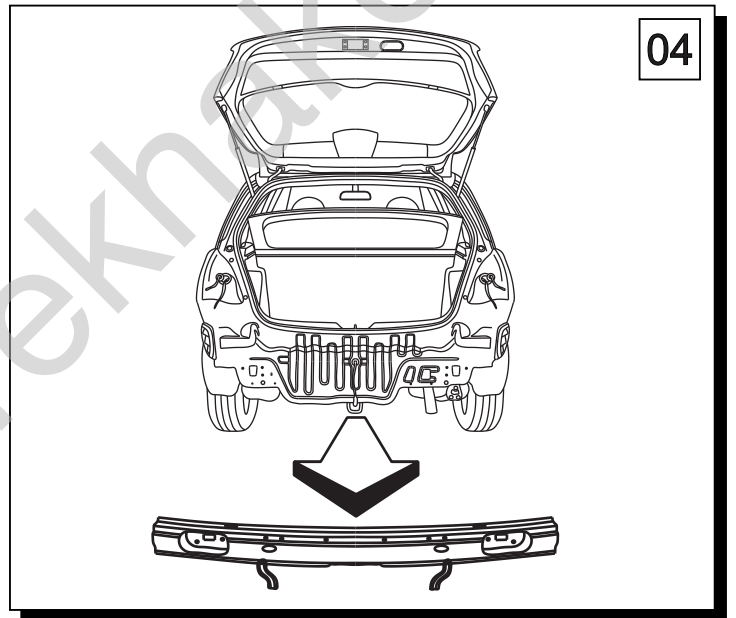
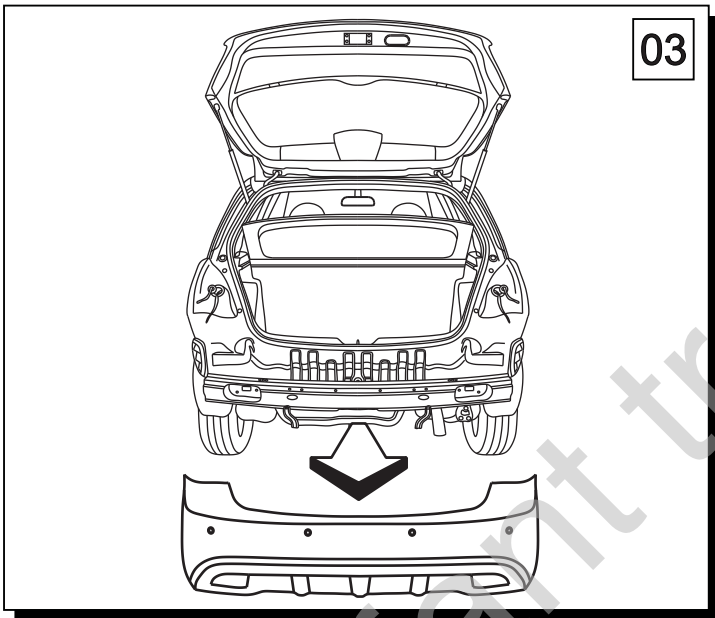
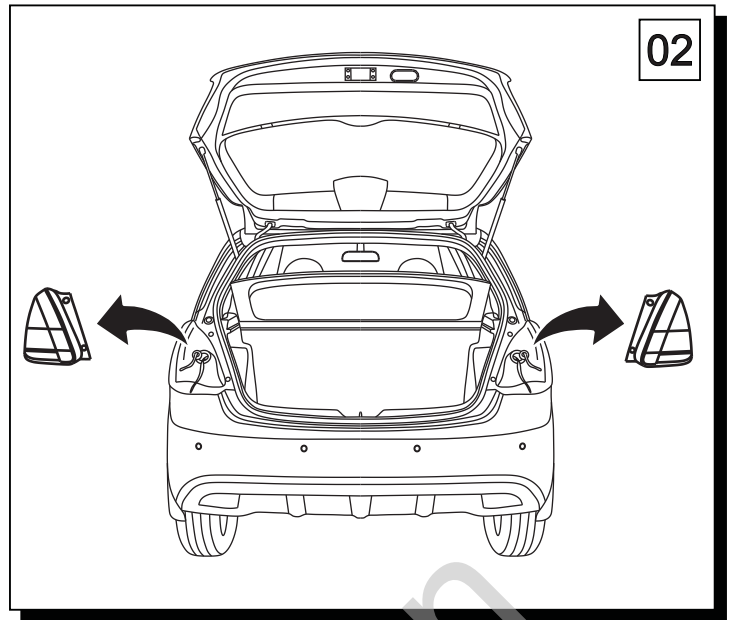
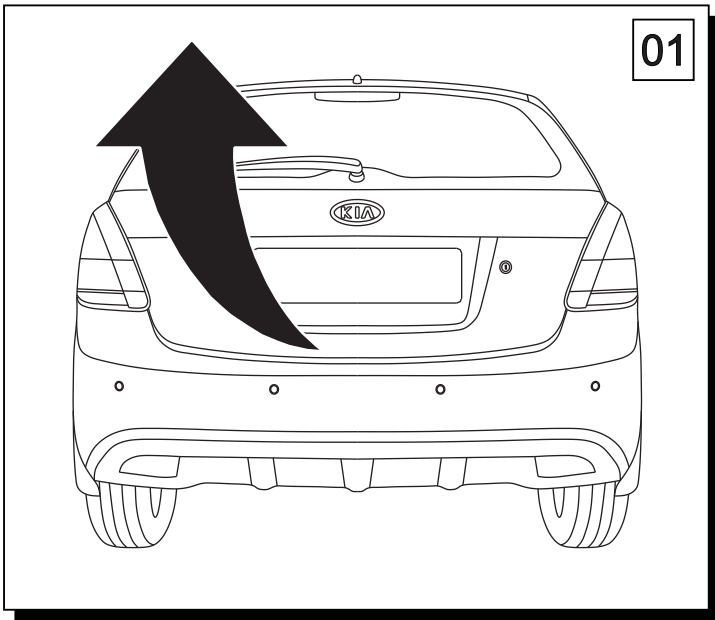


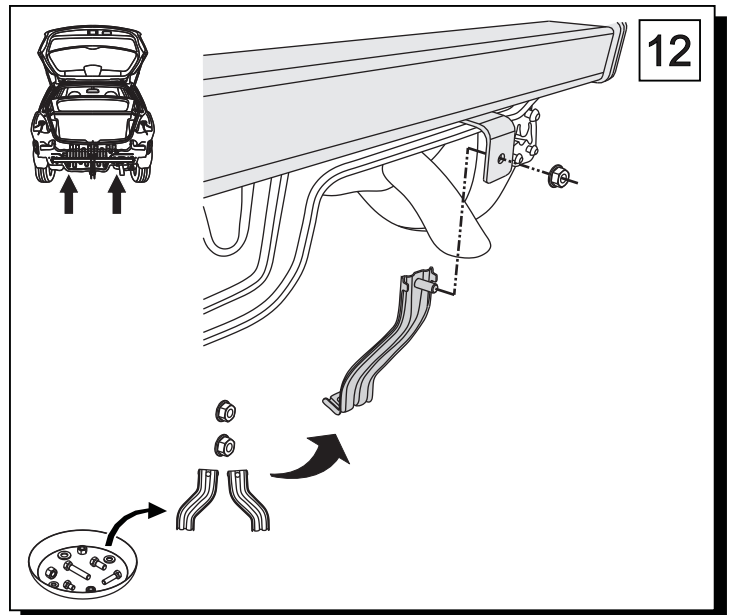
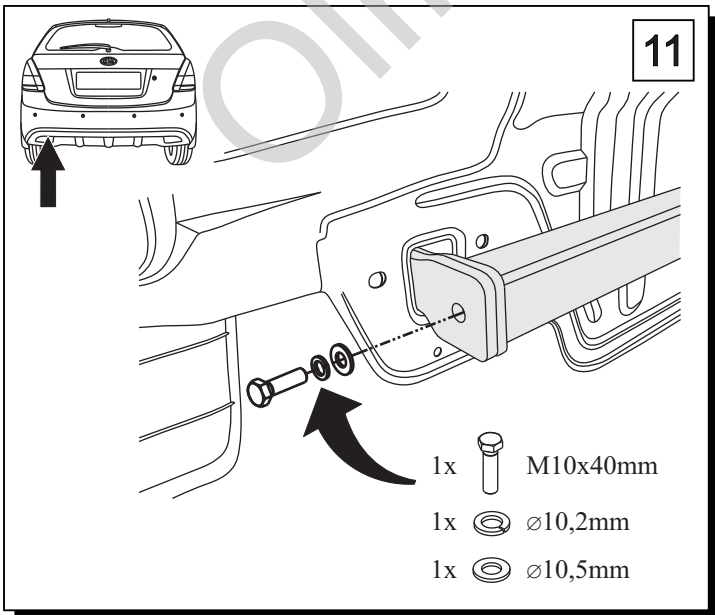
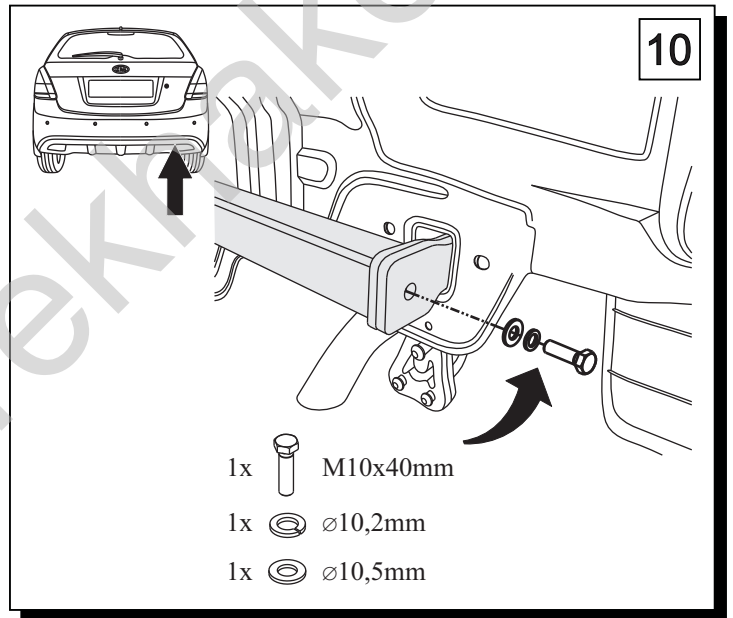
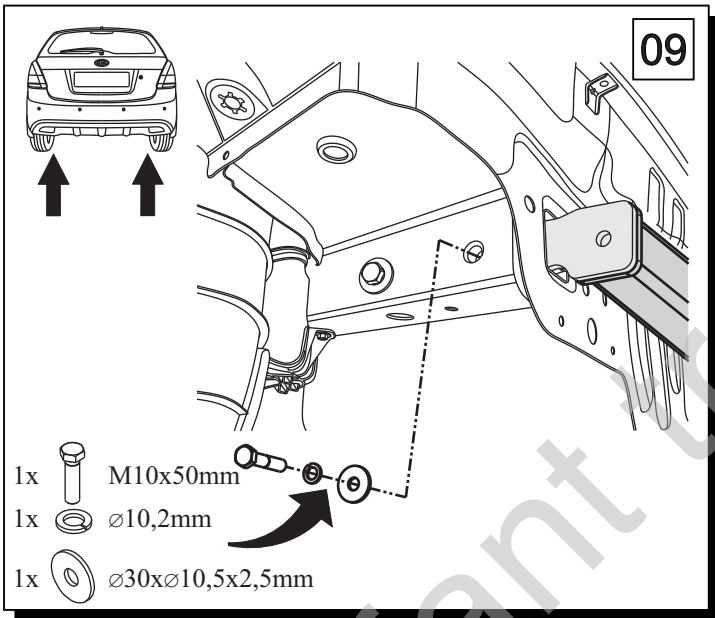
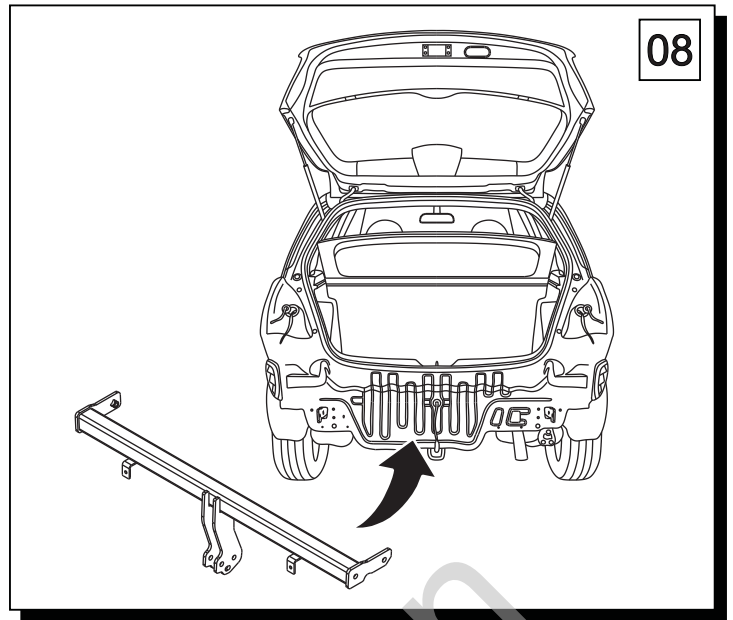
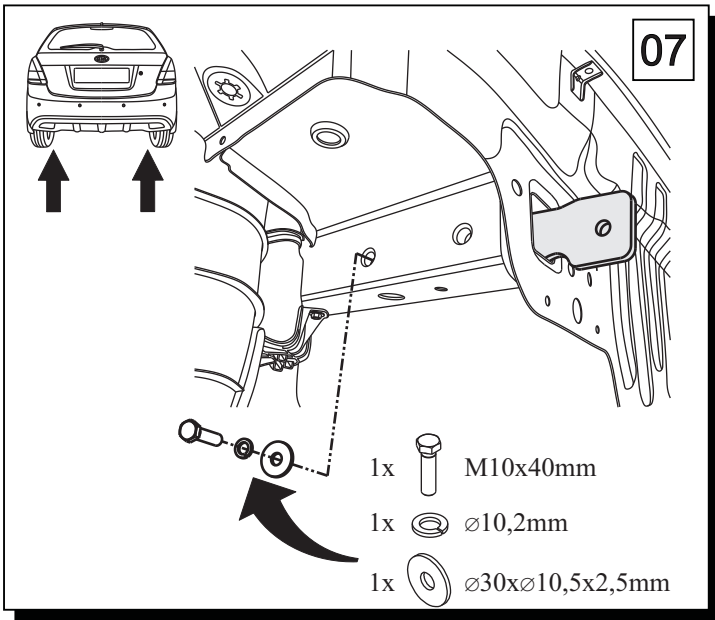
**13,4 kg**

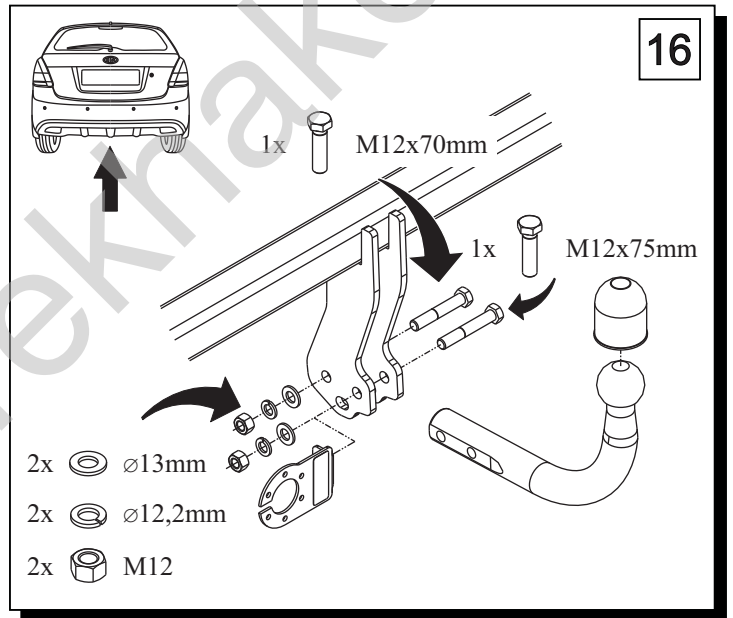
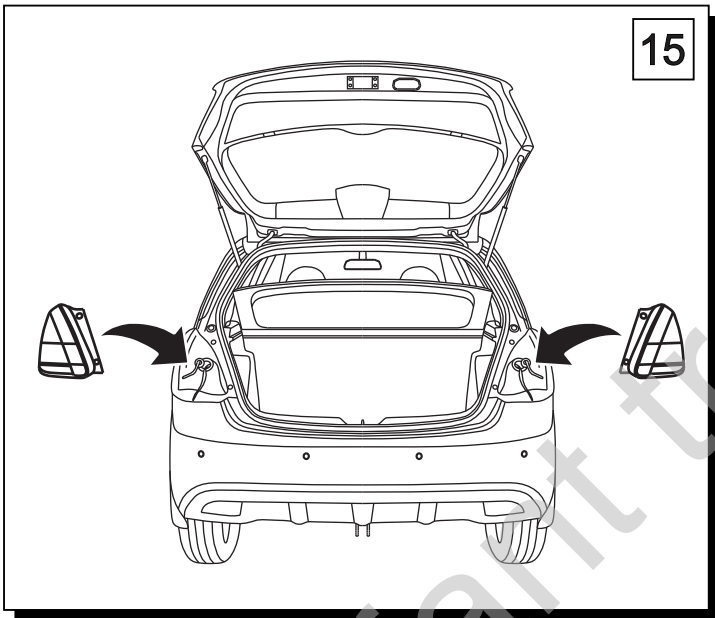
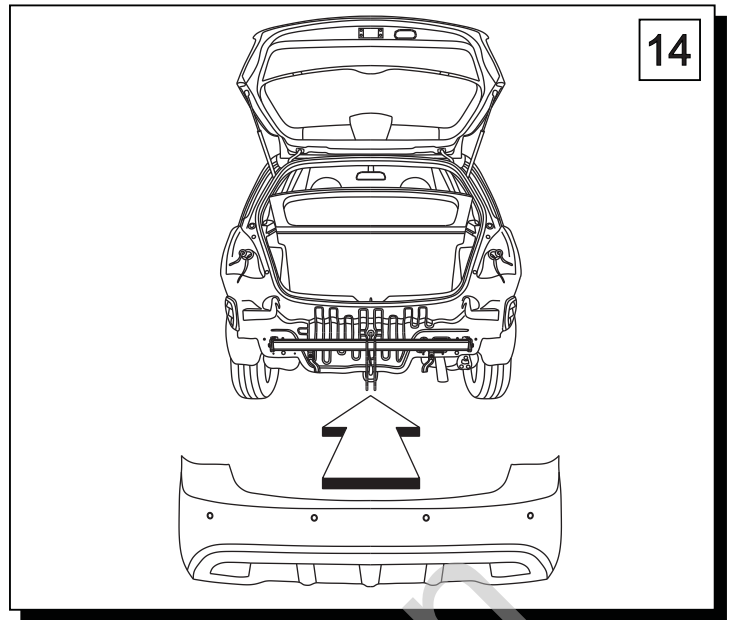
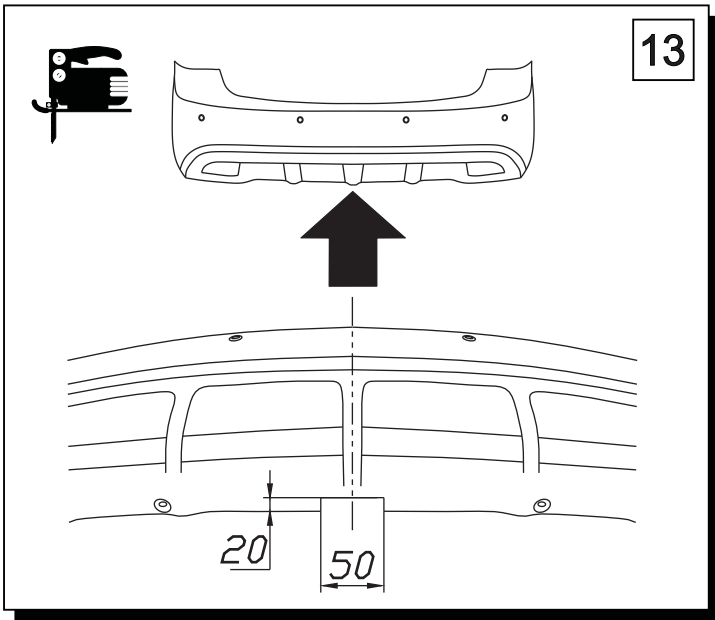







1		x 1		7	M 12x75	x 1
				8	M 12x70	x 1
2		x 1		9	M 10x50	x 2
				10	M 10x40	x 4
3		x 1		11	∅ 13	x 2
				12	∅ 30x∅10.5x2.5 10 (DIN 9021)	x 4
4		x 1		13	∅ 10.5	x 2
				14	∅ 12.2	x 2
5		x 1		15	∅ 10.2	x 6
				16	M 12	x 2
6		x 1				







	<b>M6</b> - 11 Nm	<b>M8</b> - 25 Nm
	<b>M10</b> - 50 Nm	<b>M12</b> - 87 Nm
	<b>M14</b> - 138 Nm	<b>M16</b> - 210 Nm

 **0 km** →  **1000 km**