

PPUH AUTO-HAK Sp.J.

Henryk i Zbigniew Nejman
ul. Słoneczna 16K 76-200 SŁUPSK
POLAND

tel/fax +48 59 8 414 414; +48 59 8 414 413

e-mail: office@autohak.com.pl

www.autohak.com.pl



AUTO-HAK



KIA VENGA (YN)

⌚ 2009 → 01.2014

KIA VENGA

⌚ 02.2014 →

Cat. no:

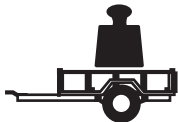
T58A

e20

e20*94/20*1194*00

D

7,65 kN



R=1300 kg



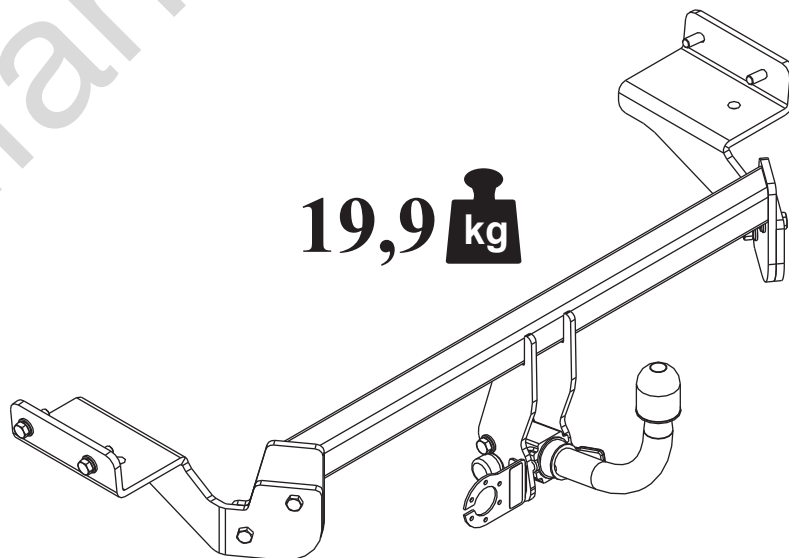
S=75 kg

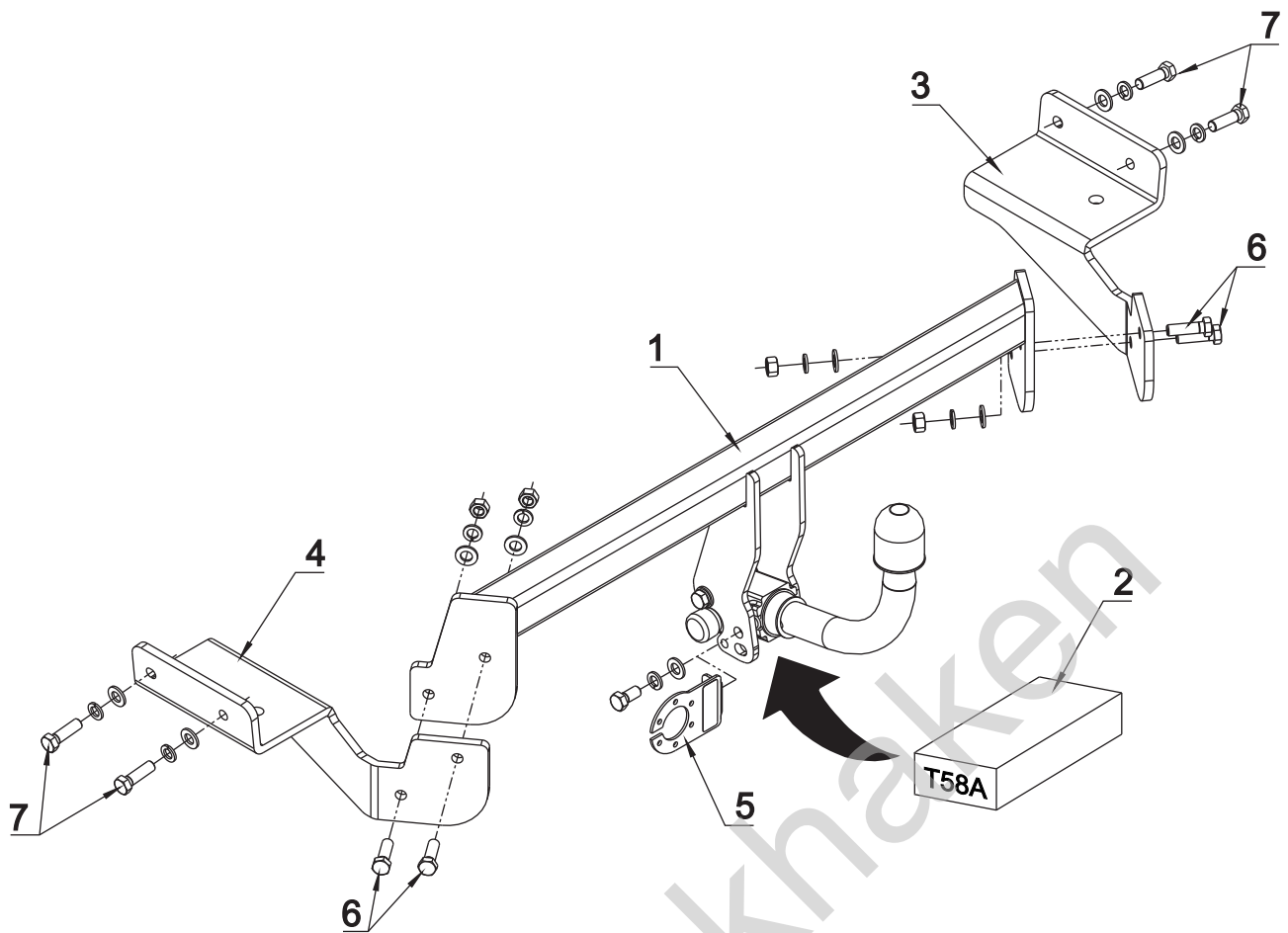


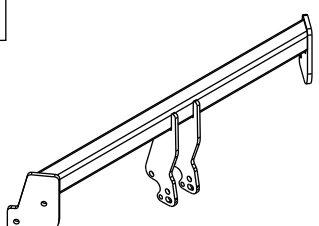

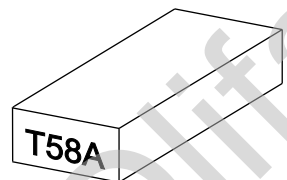
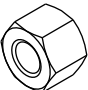
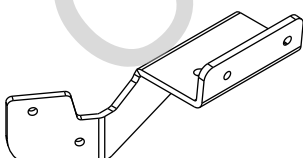
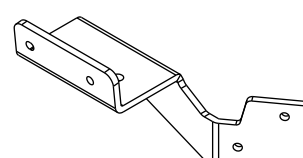
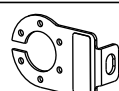
1,5h

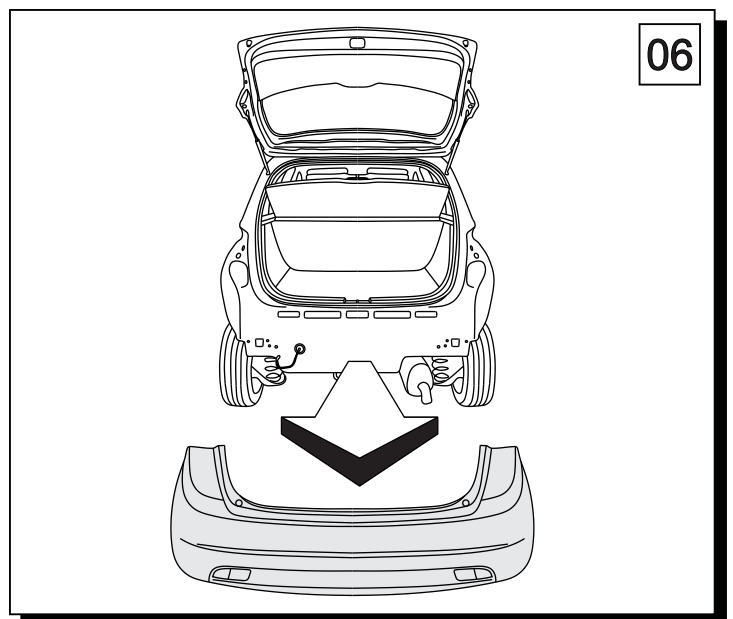
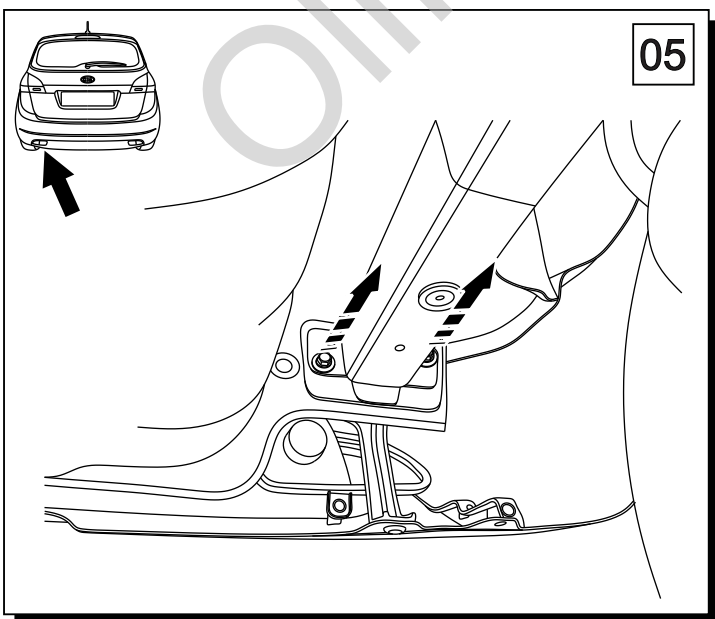
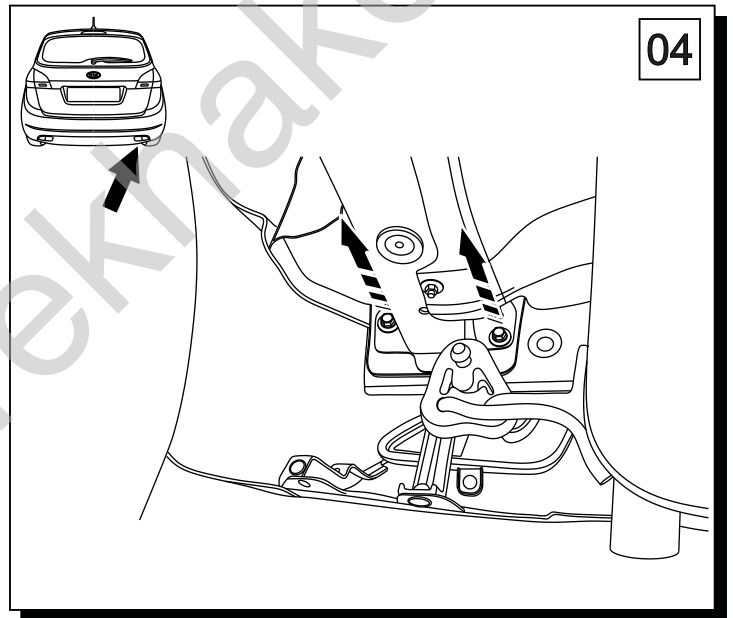
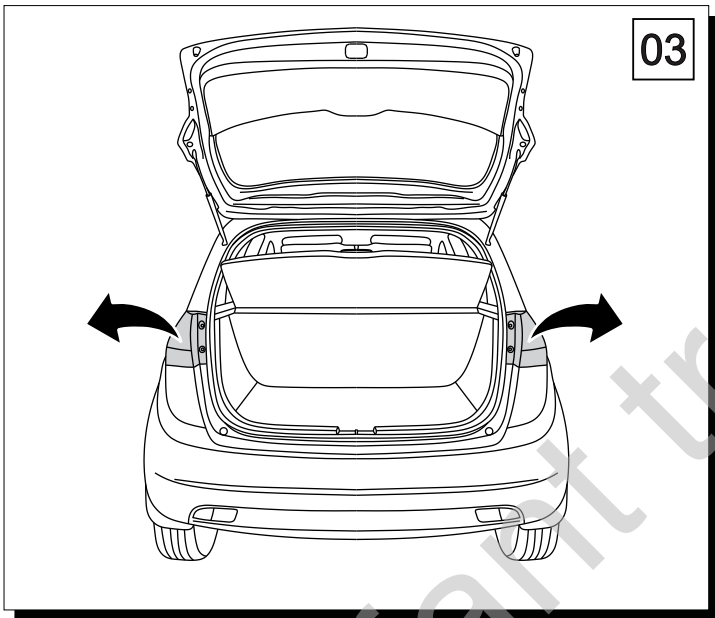
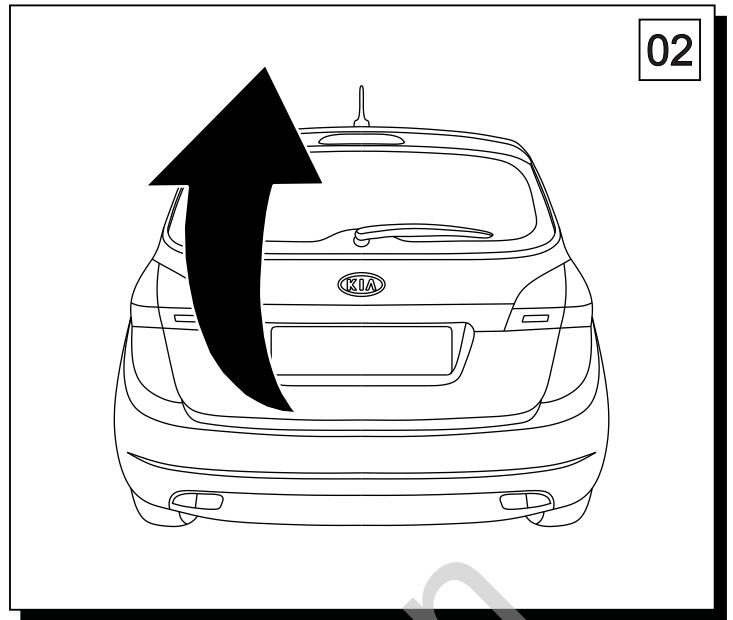
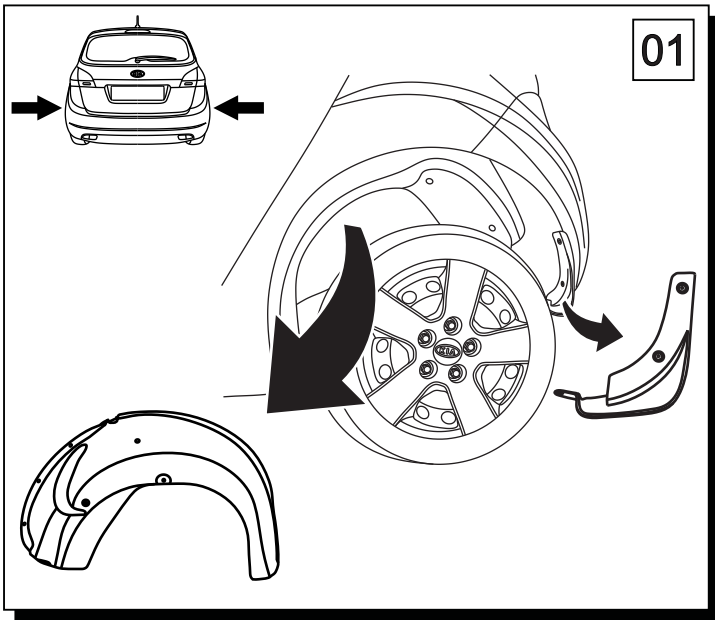


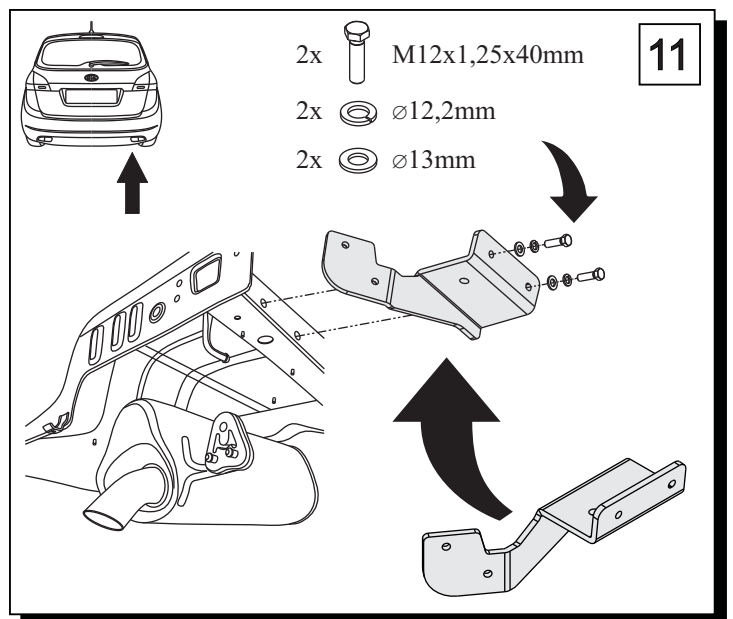
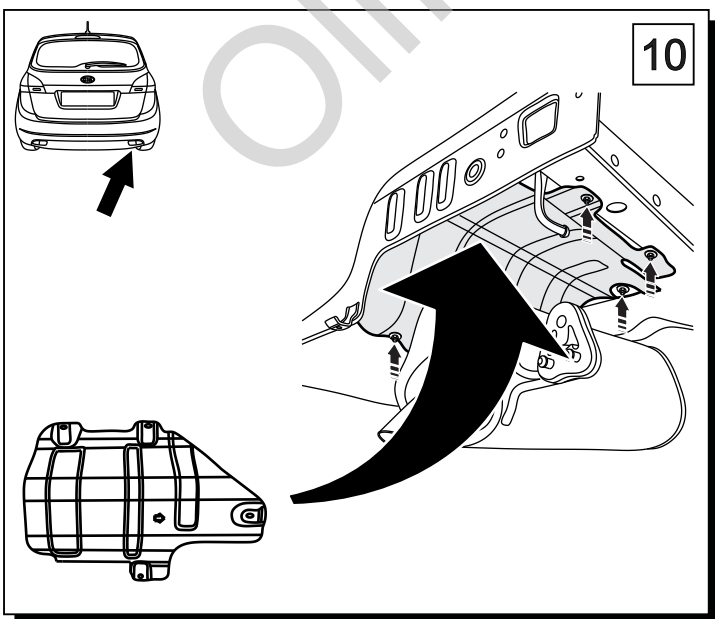
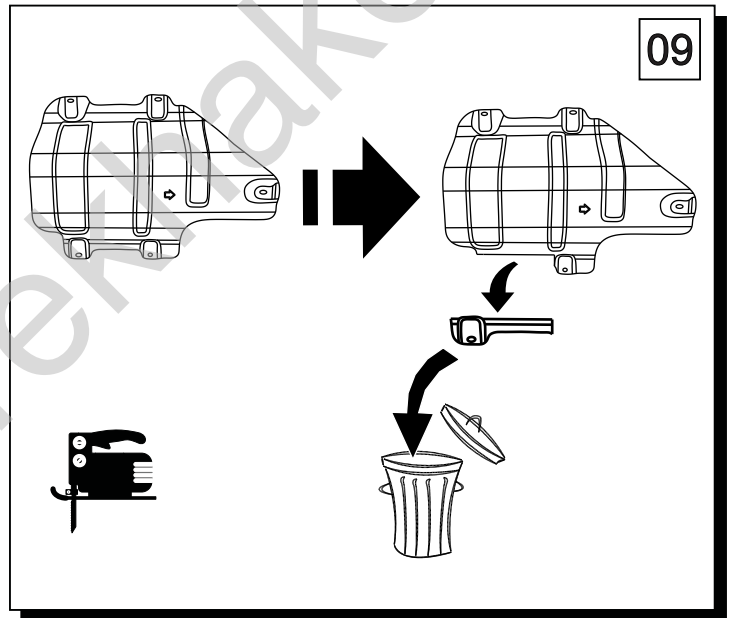
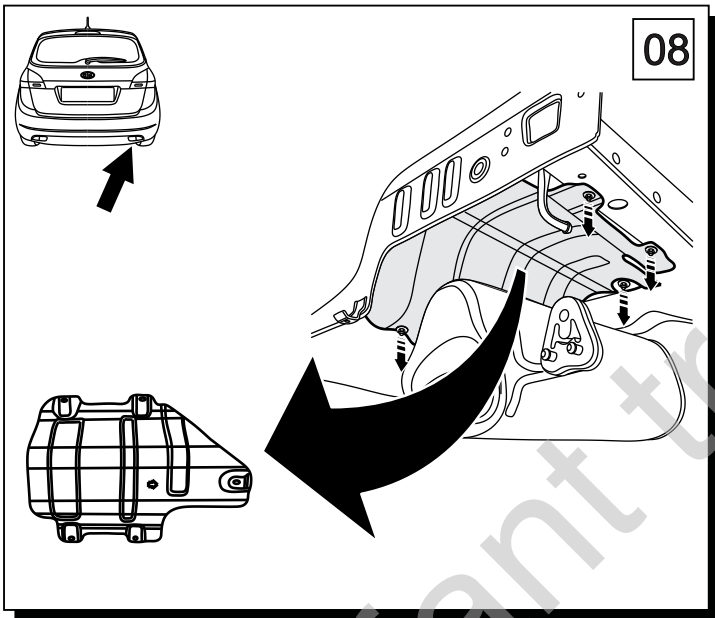
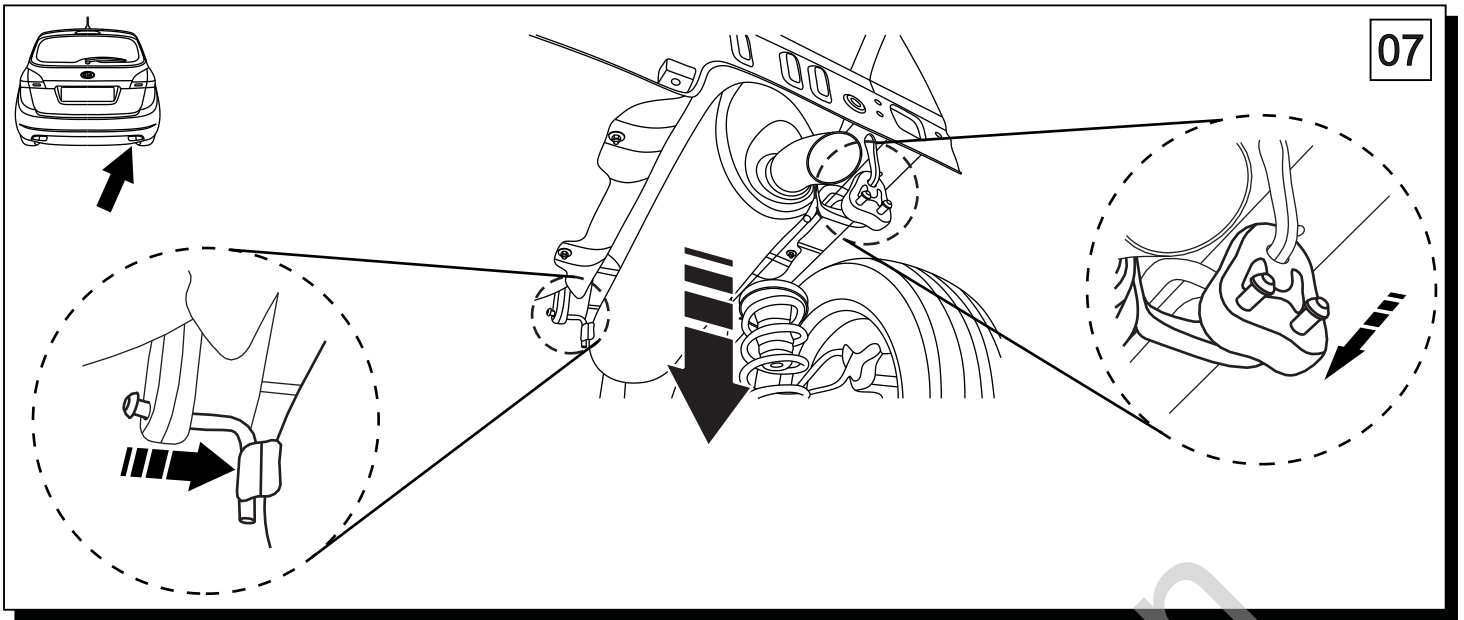
19,9 kg

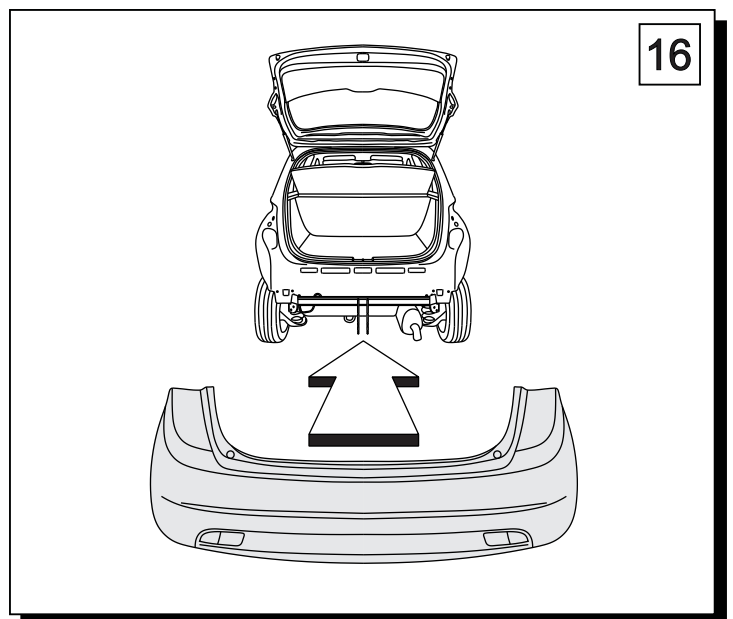
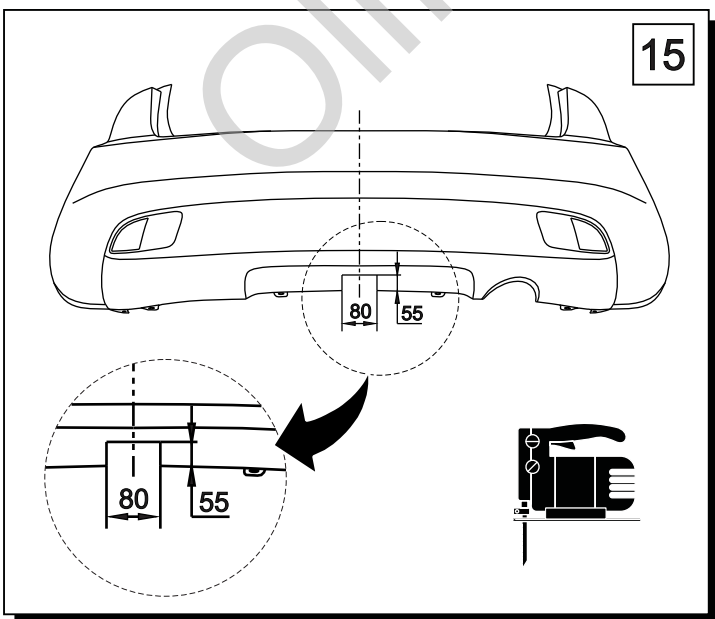
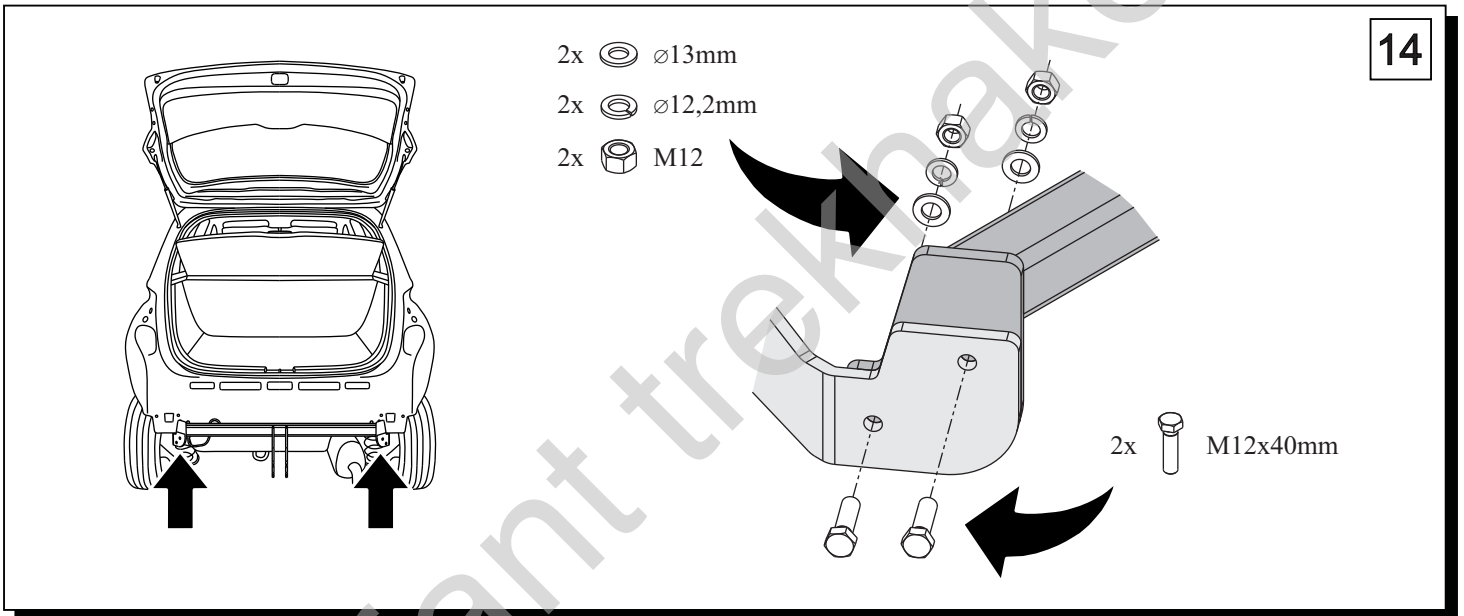
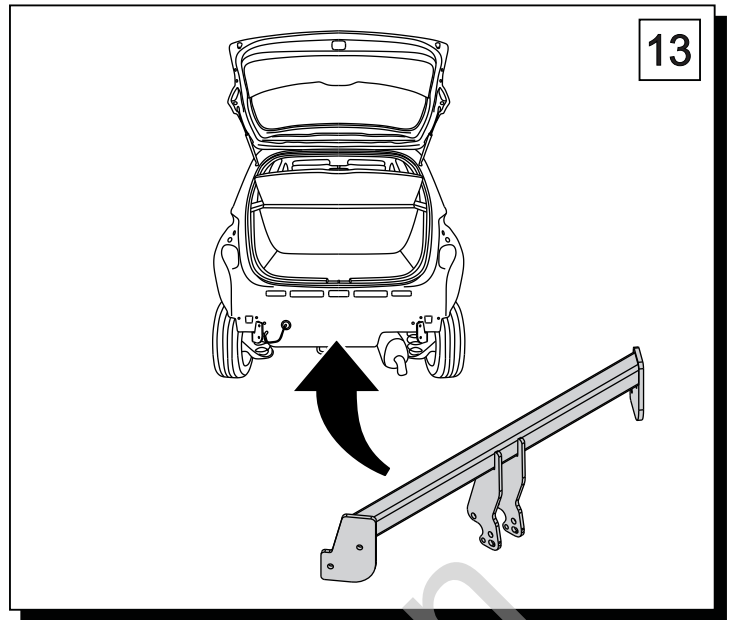
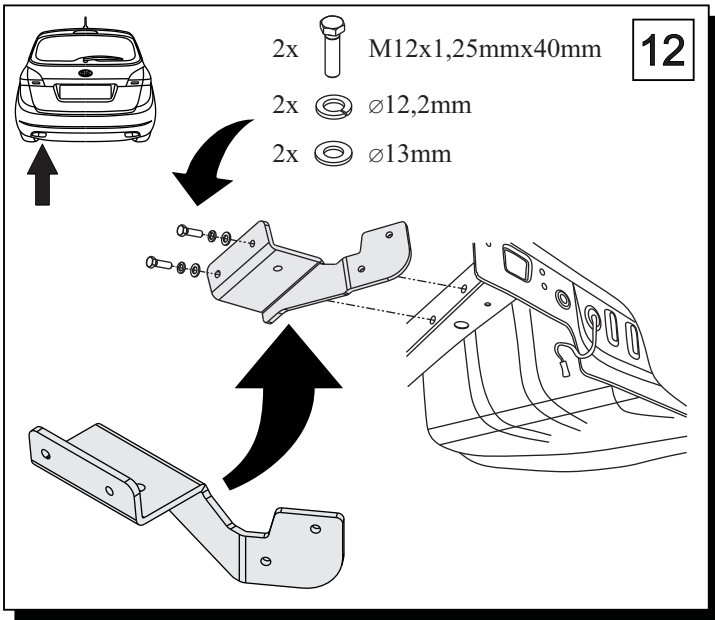


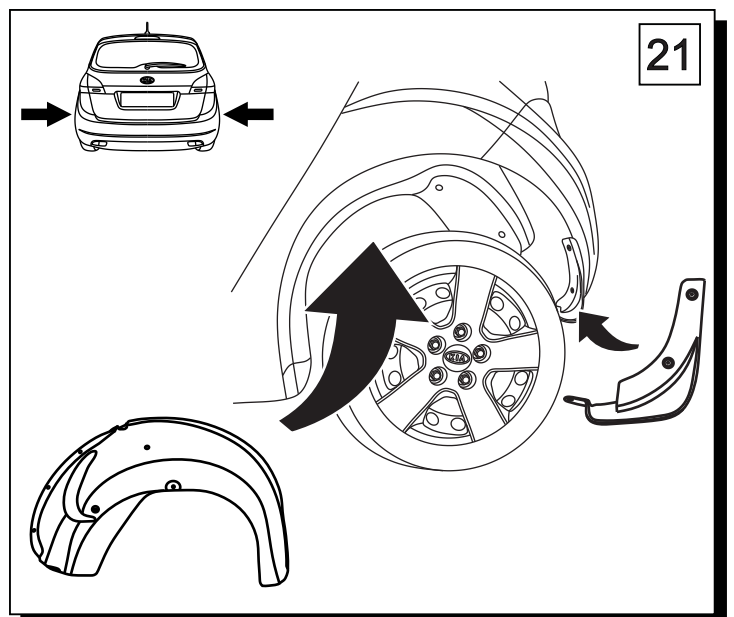
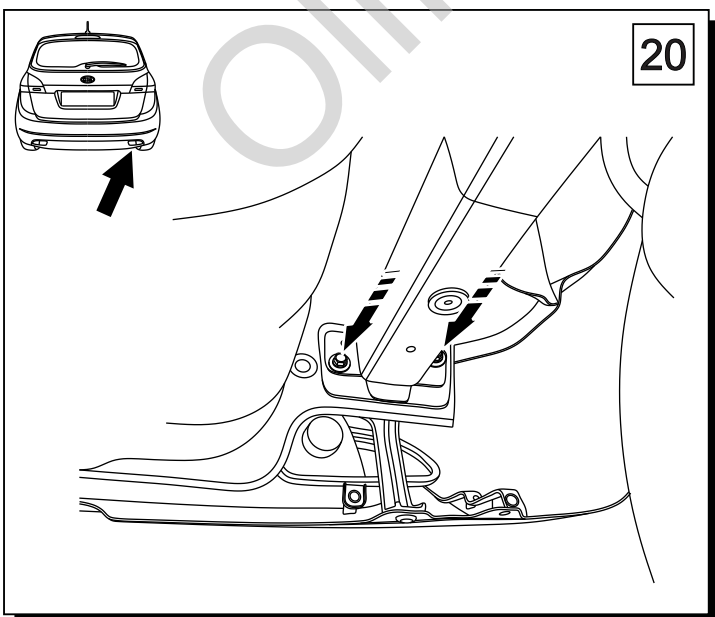
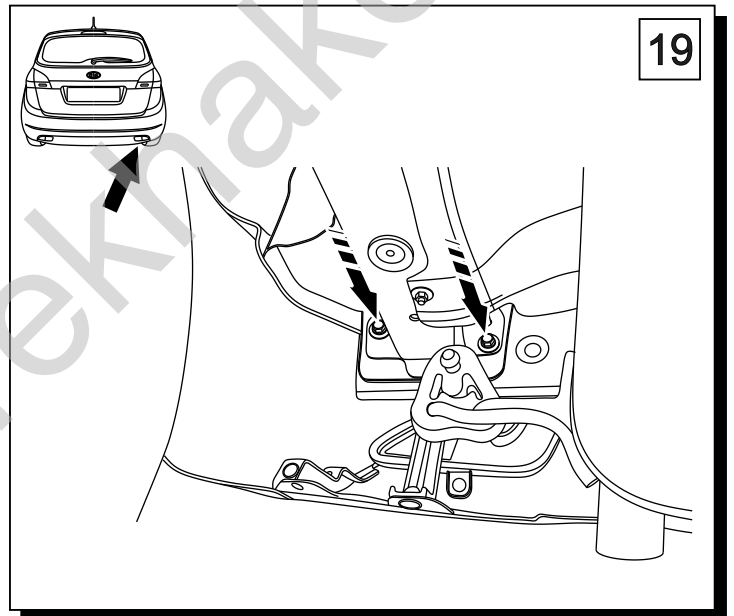
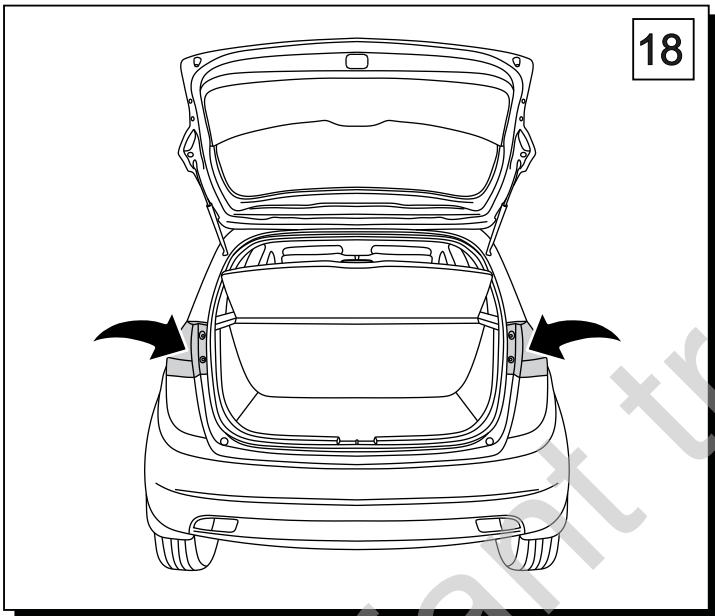
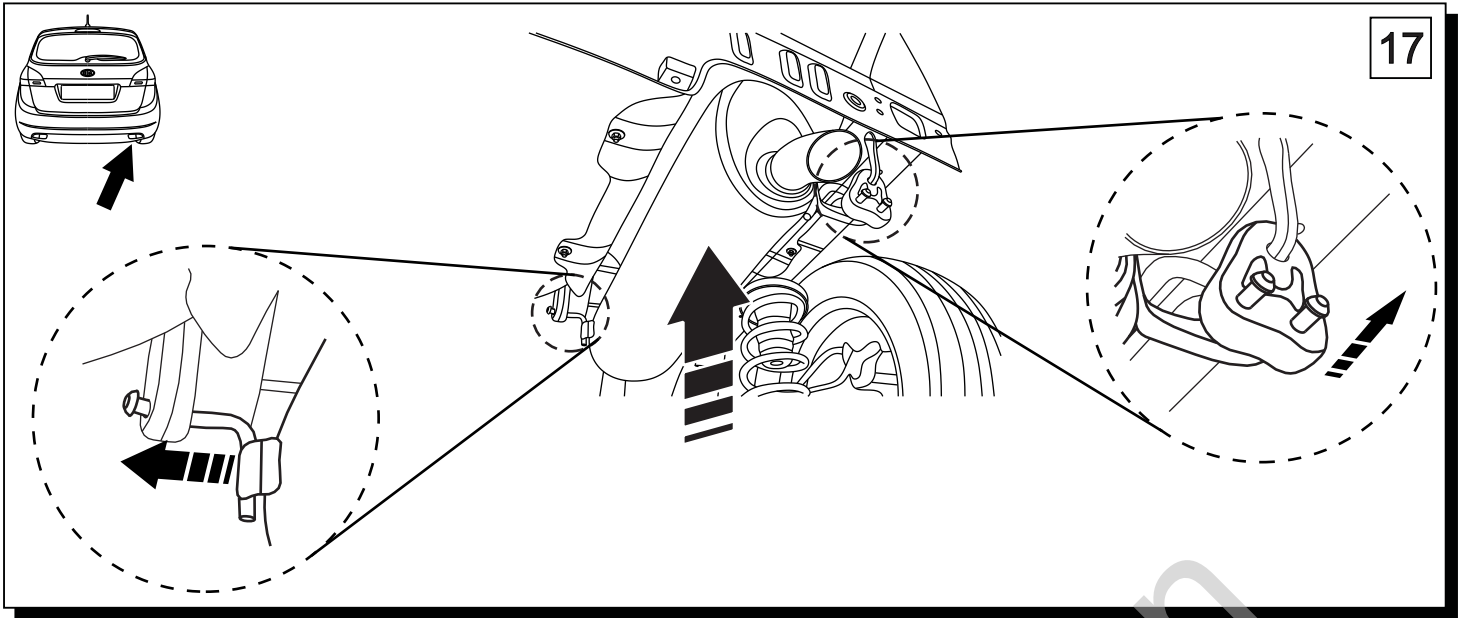


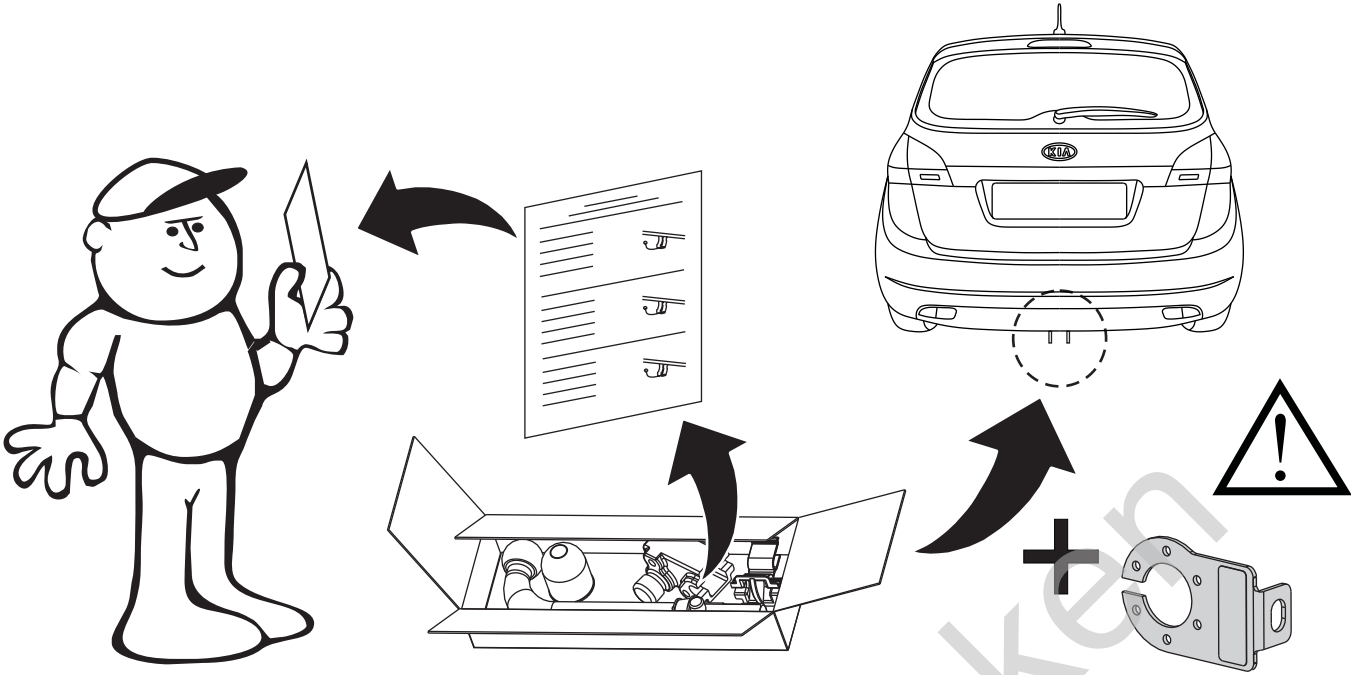
	x1		6	M12x40	x4
			7	M12x1,25x40	x4
			8	∅ 13	x8
			9	∅ 12.2	x8
	x1		10	M12	x4
			Art. nr-KL1T58A		
	x1				
	x1				
	x1				
Art. nr-BL1T58A					











Olifant trekhaken



- | | | | | | |
|------------|---|--------|------------|---|--------|
| M6 | - | 11 Nm | M8 | - | 25 Nm |
| M10 | - | 50 Nm | M12 | - | 87 Nm |
| M14 | - | 138 Nm | M16 | - | 210 Nm |

↻ **0 km** → ↻ **1000 km**