

PPUH AUTO-HAK Sp.J.

Henryk i Zbigniew Nejman
ul. Słoneczna 16K 76-200 SŁUPSK
POLAND

tel/fax +48 59 8 414 414; +48 59 8 414 413

e-mail: office@autohak.com.pl

www.autohak.com.pl



AUTO-HAK



**KIA SOUL
5D (AM)**

Cat. no:

T57



03.2009 → 11.2011

e20

e20*94/20*0694*00

D

7,4 kN



1,5h



R=1300 kg



—

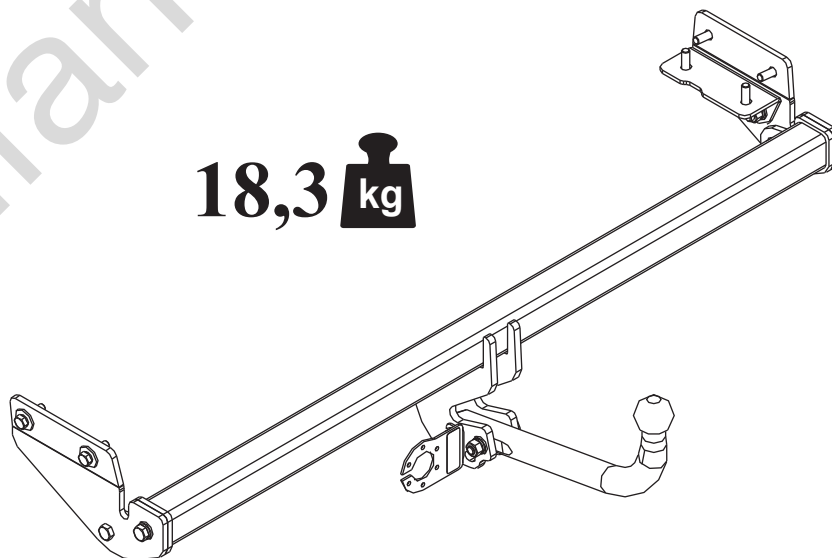


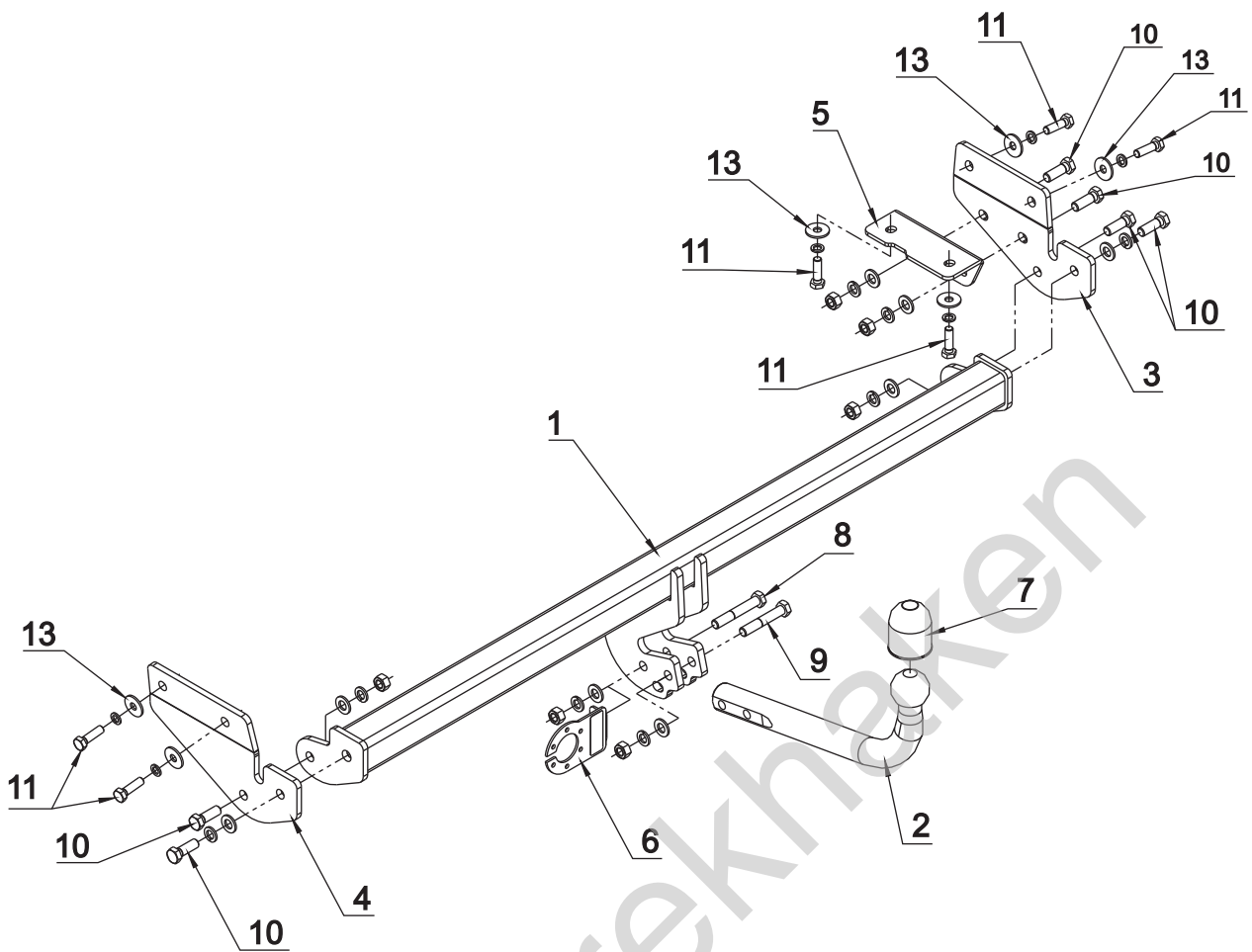
S=52 kg

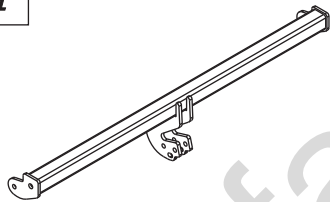

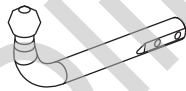

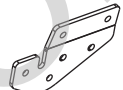

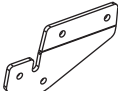

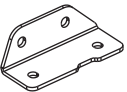

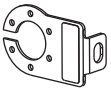







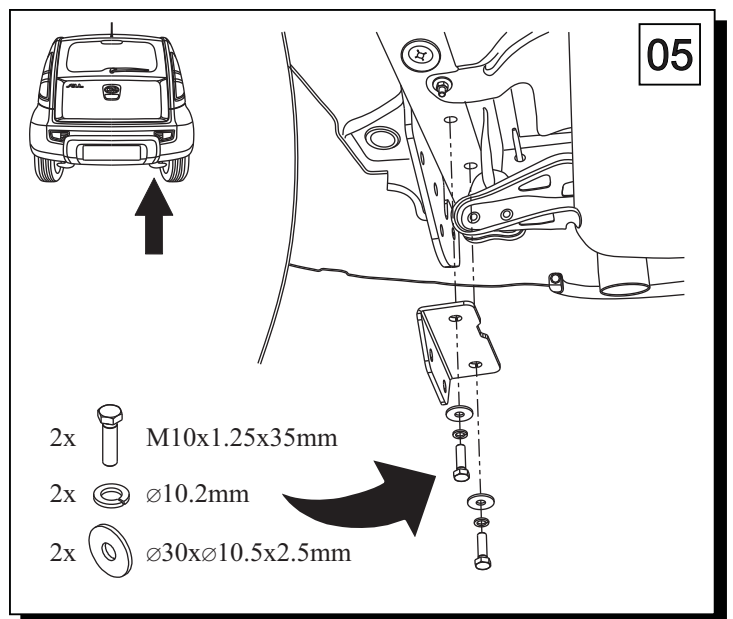
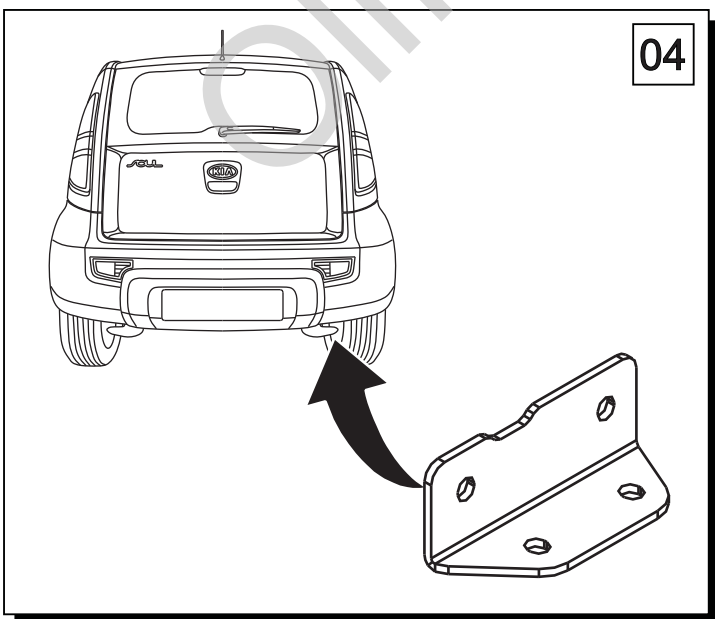
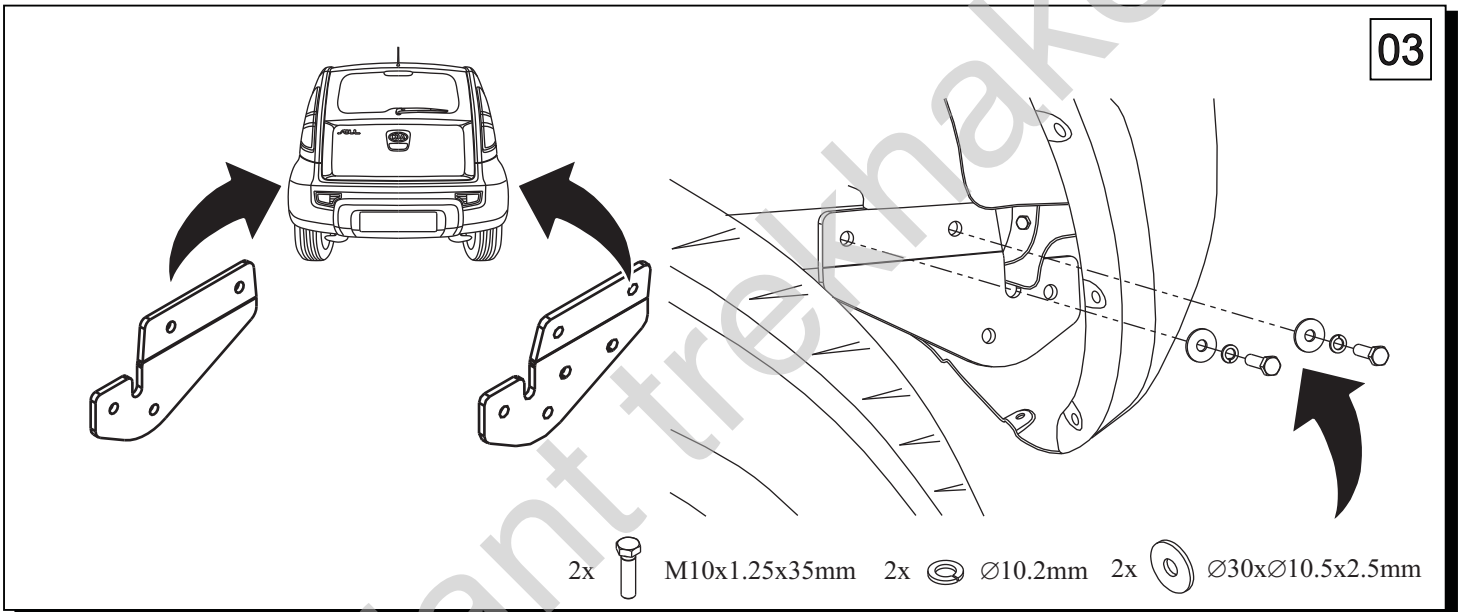
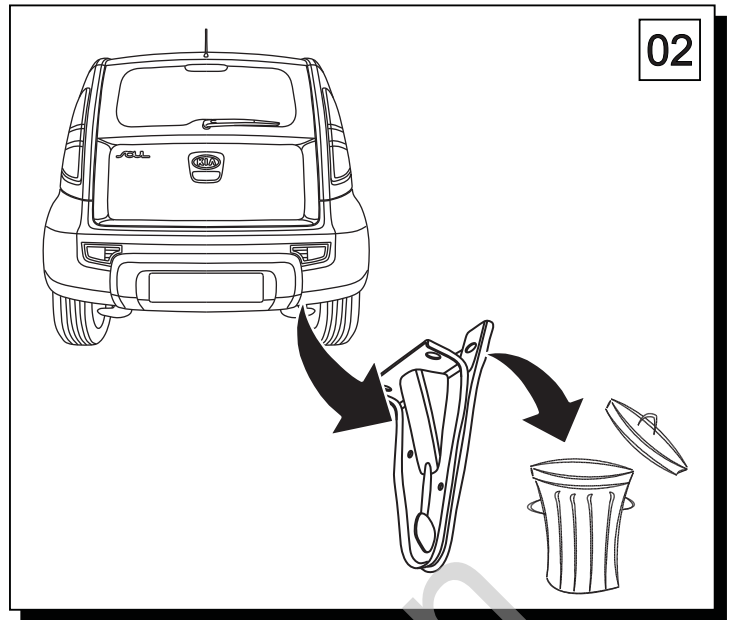
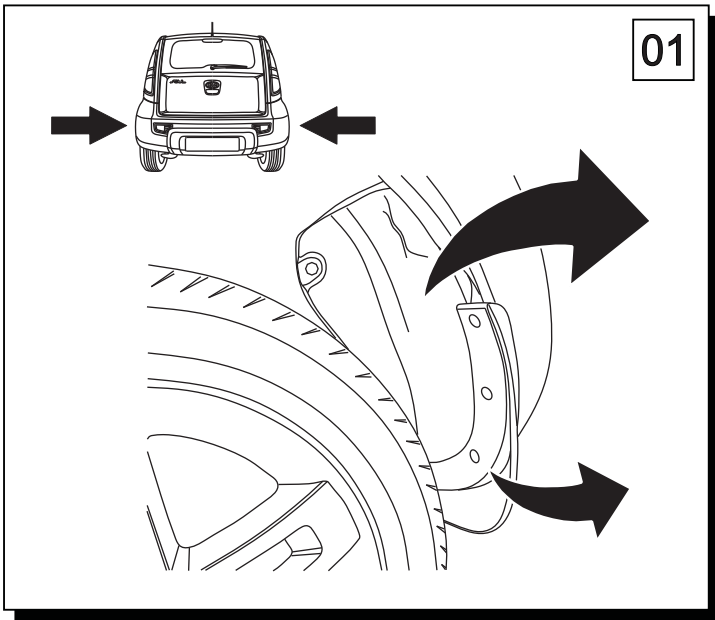
—

18,3 kg

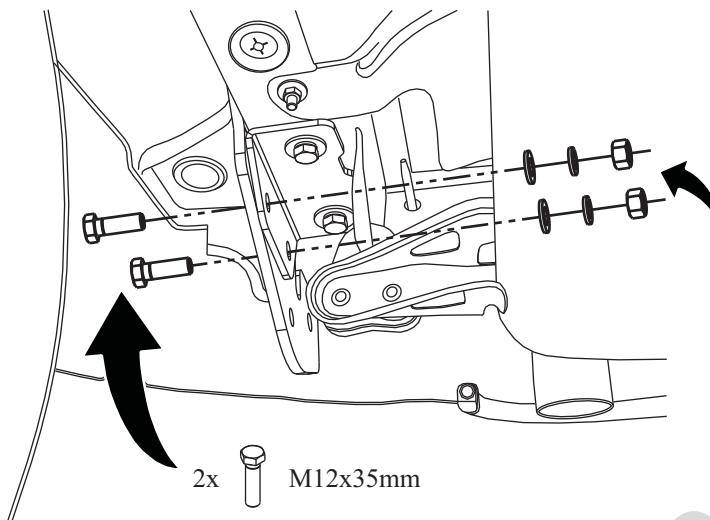
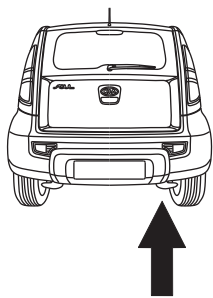




1		x1		8 M12x75	x1
2		x1		9 M12x70	x1
3		x1		10 M12x35	x6
4		x1		11 M10x1,25x35	x6
5		x1		12 \varnothing 13	x8
6		x1		13 \varnothing 30x \varnothing 10.5x2.5 10 (DIN 9021)	x6
7		x1		14 \varnothing 12.2	x8
				15 \varnothing 10.2	x6
				16 M12	x6



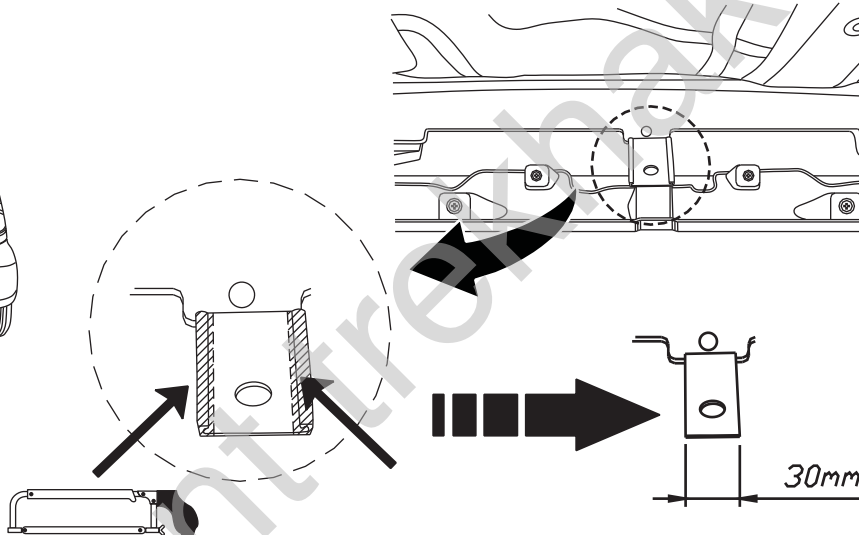
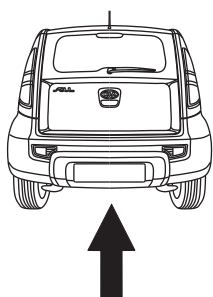
06



- 2x Ø13mm
- 2x Ø12,2mm
- 2x M12

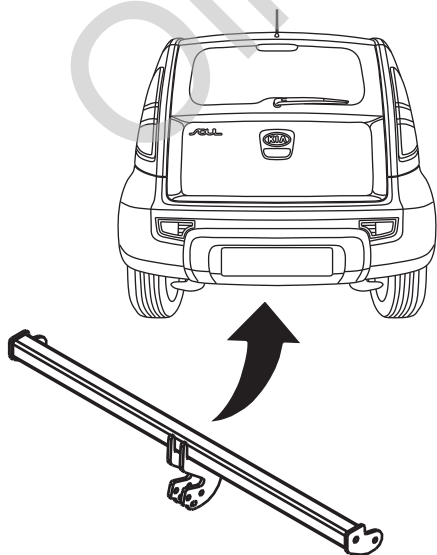
2x M12x35mm

07

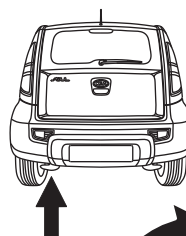


30mm

08



09



- 1x Ø13mm
- 1x Ø12,2mm
- 1x M12

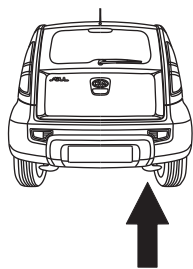
1x M12x35mm

1x Ø12.2mm

1x Ø13mm

1x M12x35mm

10



1x M12x35mm

1x M12x35mm

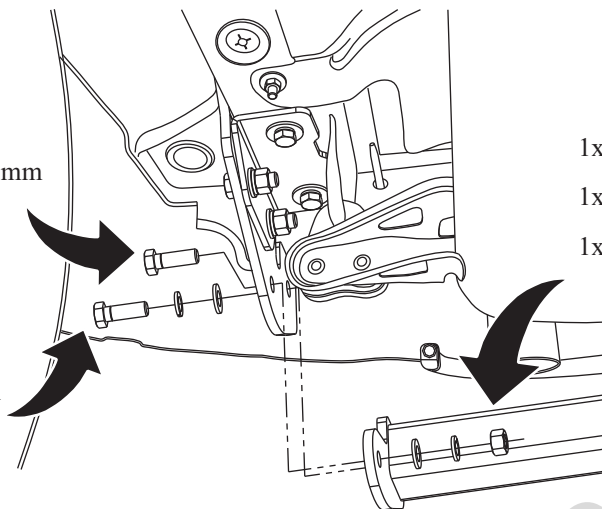
1x Ø12,2mm

1x Ø13mm

1x Ø13mm

1x Ø12,2mm

1x M12

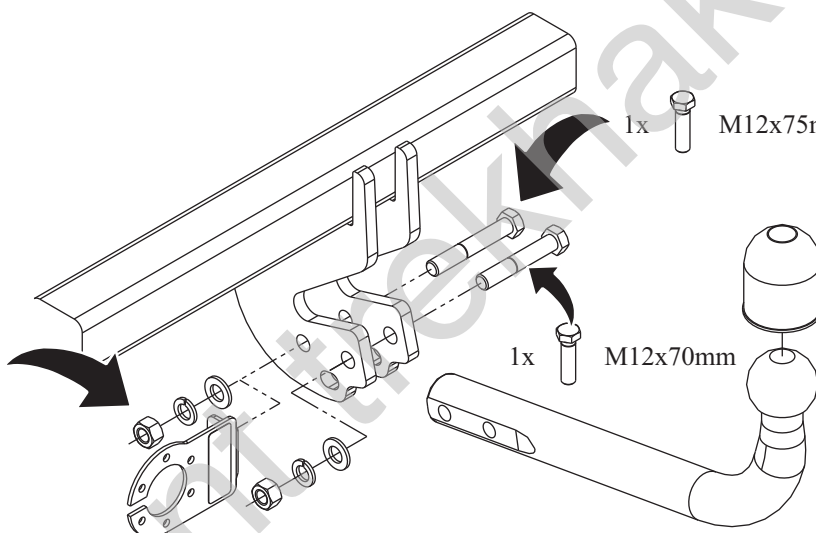


11

2x Ø13mm
 2x Ø12.2mm
 2x M12

1x M12x75mm

1x M12x70mm



M6 - 11 Nm
 M10 - 50 Nm
 M14 - 138 Nm

M8 - 25 Nm
 M12 - 87 Nm
 M16 - 210 Nm

0 km → 1000 km