

# PPUH AUTO-HAK Sp.J.

Henryk i Zbigniew Nejman  
ul. Słoneczna 16K 76-200 SŁUPSK  
POLAND

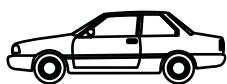
tel/fax +48 59 8 414 414; +48 59 8 414 413

e-mail: [office@autohak.com.pl](mailto:office@autohak.com.pl)

[www.autohak.com.pl](http://www.autohak.com.pl)



# AUTO-HAK



**KIA CARNIVAL  
VQ (MB)**

Cat. no:

**T55A**



07.2006 →

e20

e20\*94/20\*0511\*00

D

11,9 kN



1,5h



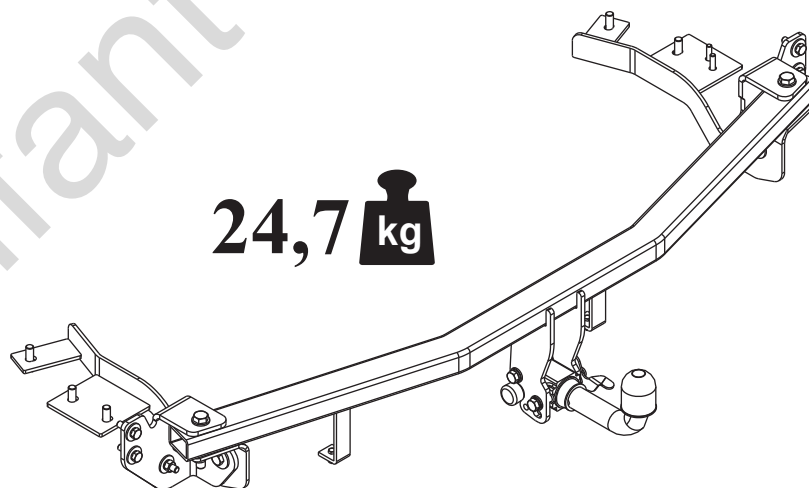
R=2000 kg



S=85 kg



24,7 kg



M6 - 11 Nm  
M10 - 50 Nm  
M14 - 138 Nm

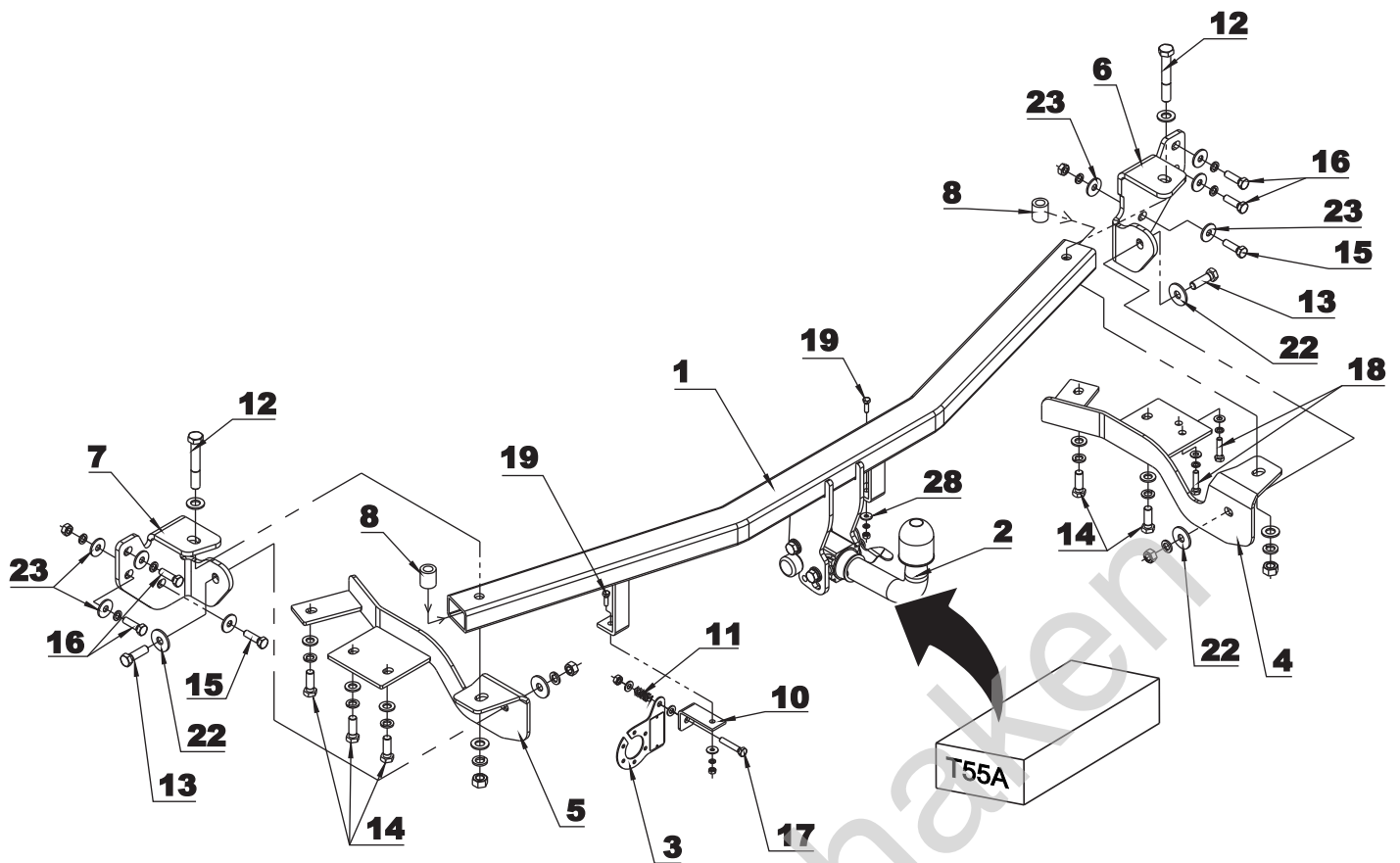
M8 - 25 Nm  
M12 - 87 Nm  
M16 - 210 Nm

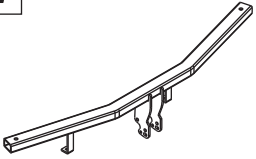

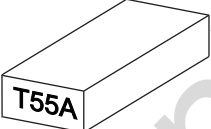




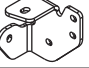









0 km →



1000 km



1		x 1		12	M 14x90	x 2
				13	M 12x40	x 2
				14	M 12x1.25x35	x 5
				15	M 10x35	x 2
				16	M 10x1.25x35	x 4
2		x 1		17	M 8x45	x 1
	Art.nr-KL1T55A			18	M 8x35	x 2
3		x 1		19	M 6x20	x 2
	Art.nr-BL1T55A			20	∅ 15	x 4
4		x 1		21	∅ 13	x 7
5		x 1		22	∅ 37x∅13x3 13 DIN 9021	x 4
6		x 1		23	∅ 30x∅10.5x2.5 10 DIN 9021	x 8
7		x 1		24	∅ 8.5	x 4
8		x 2		25	∅ 18x∅6.4x1.6 6 DIN 9021	x 2
9		x 1		26	∅ 14.2	x 2
10		x 1		27	∅ 12.2	x 11
				28	∅ 10.2	x 6
				29	∅ 8.2	x 2
				30	∅ 6.1	x 2
11		x 1		31	M 14	x 2
				32	M 12	x 2
				33	M 10	x 2
				34	M 8	x 1
				35	M 6	x 2

