

PPUH AUTO-HAK Sp.J.

Henryk i Zbigniew Nejman
ul. Słoneczna 16K 76-200 SŁUPSK
POLAND






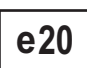







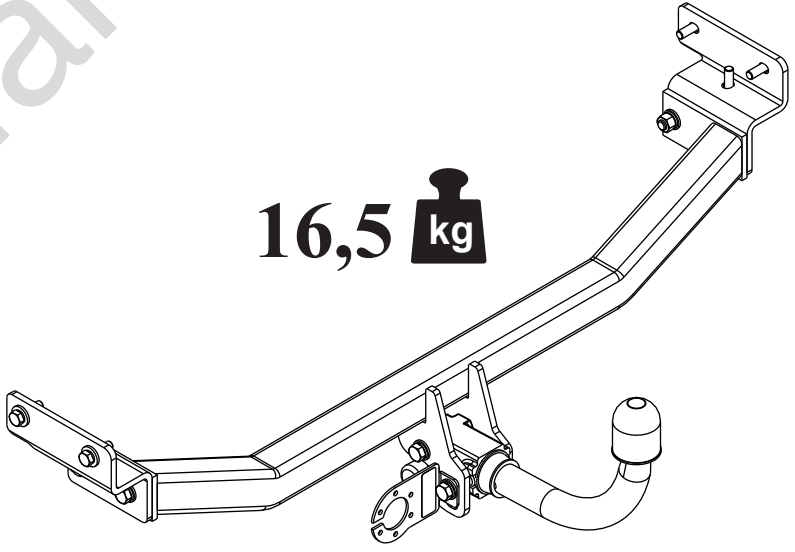
tel/fax +48 59 8 414 414; +48 59 8 414 413

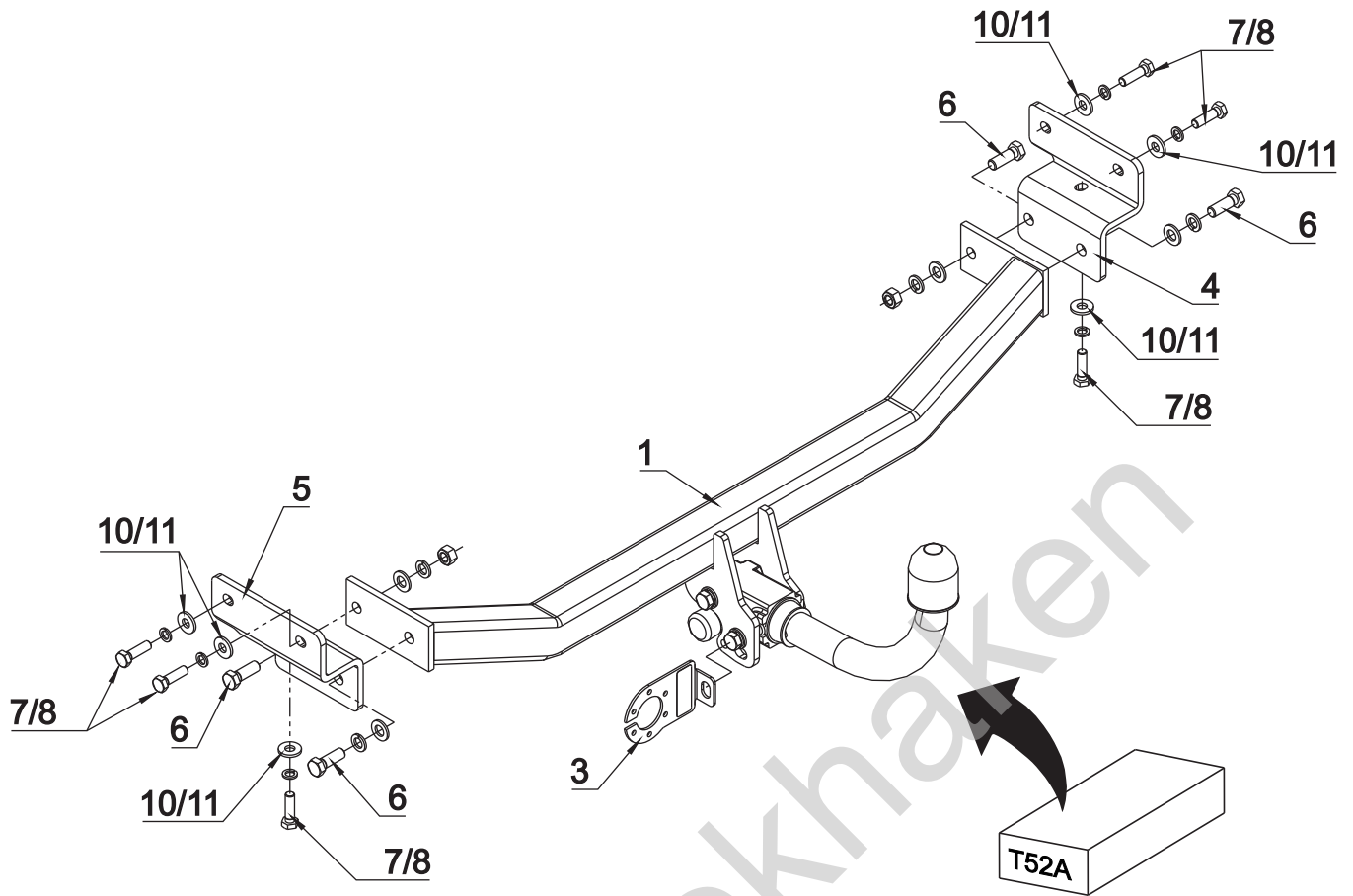
e-mail: office@autohak.com.pl

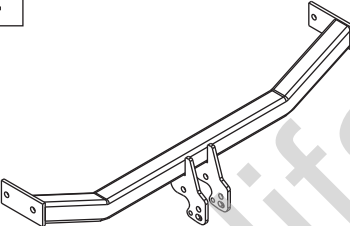

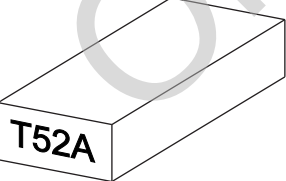

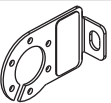

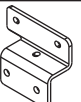

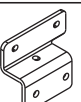

www.autohak.com.pl

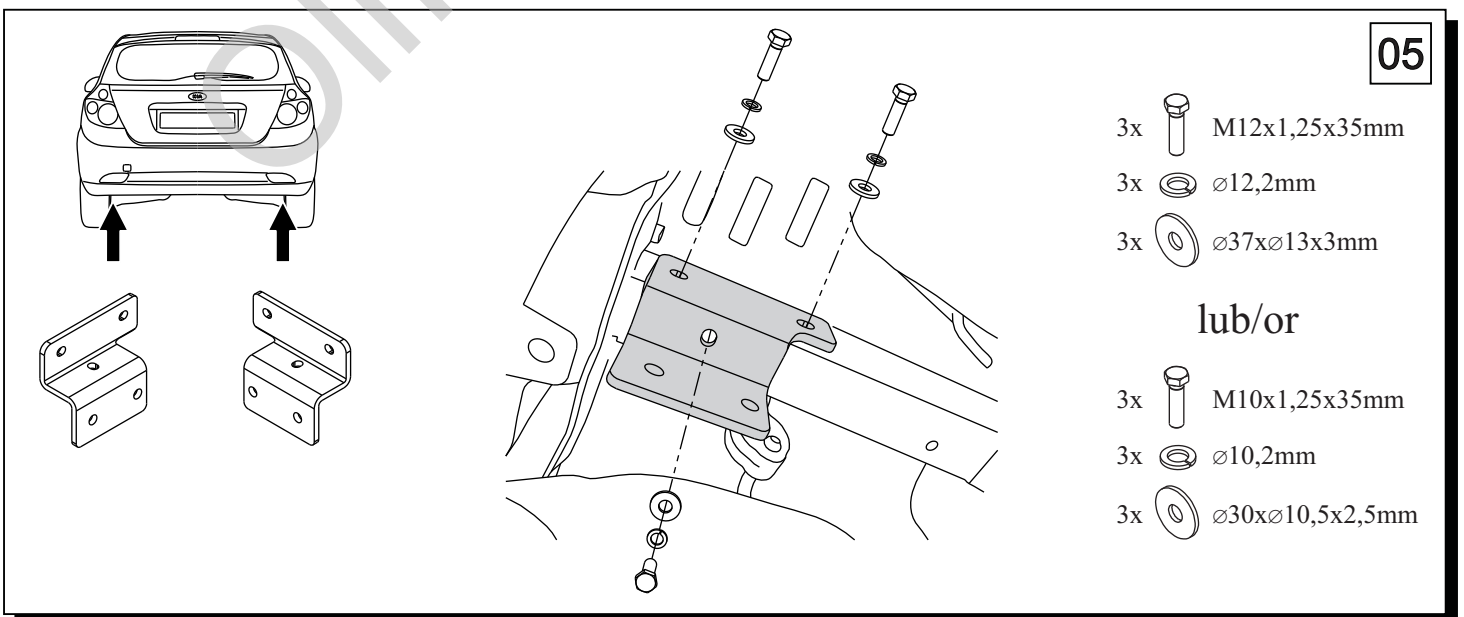
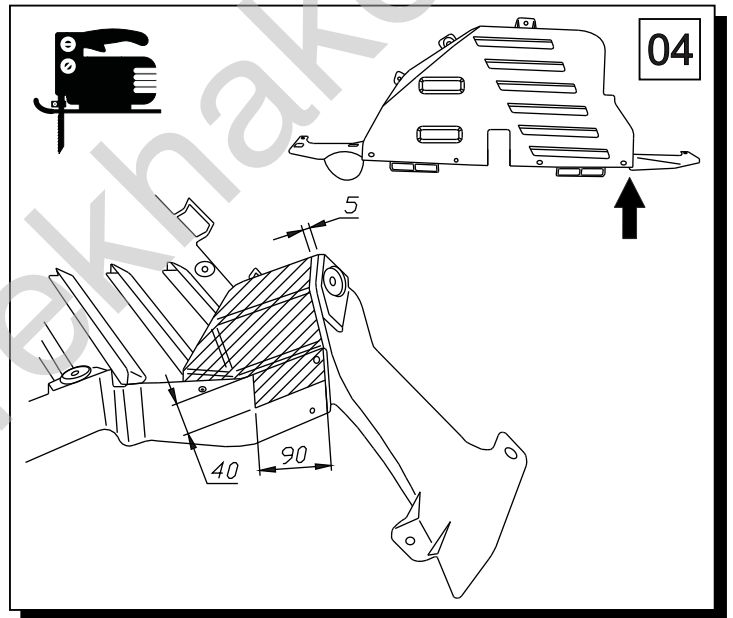
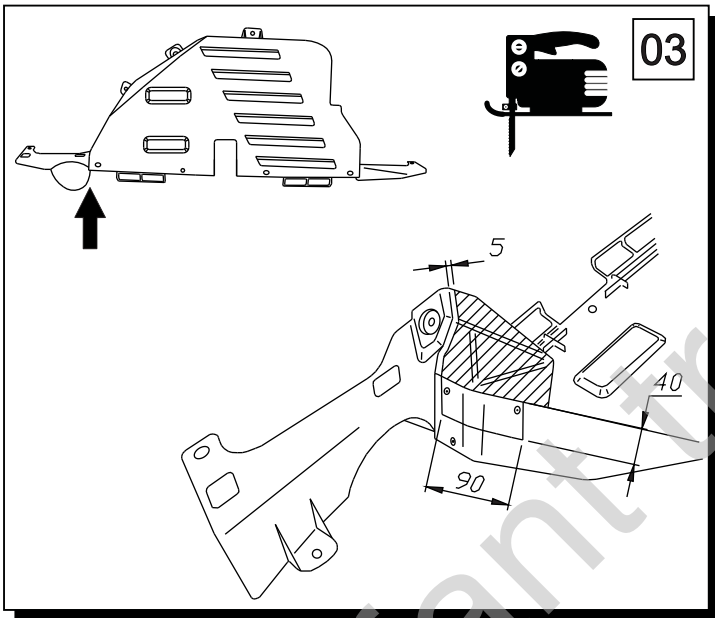
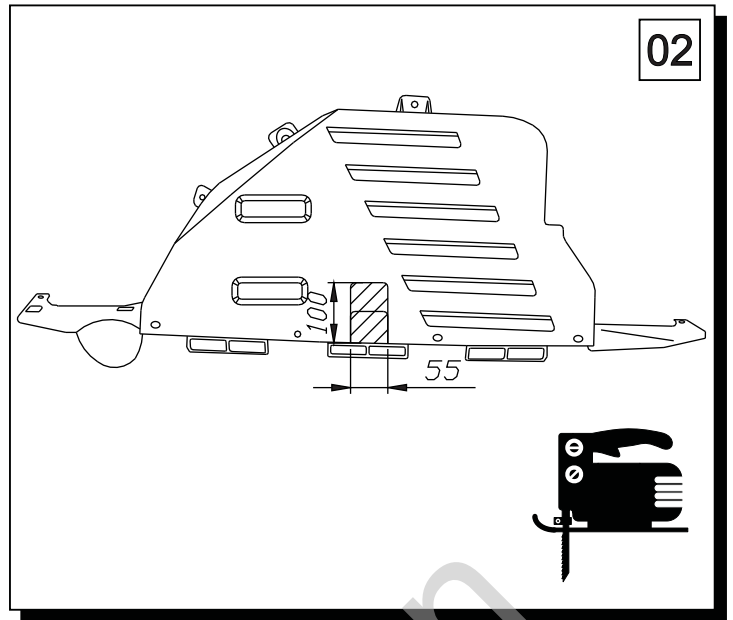
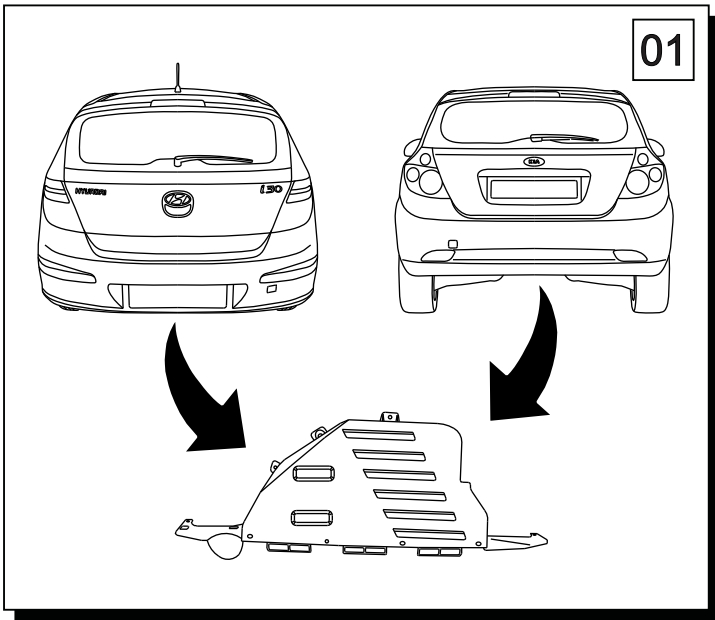


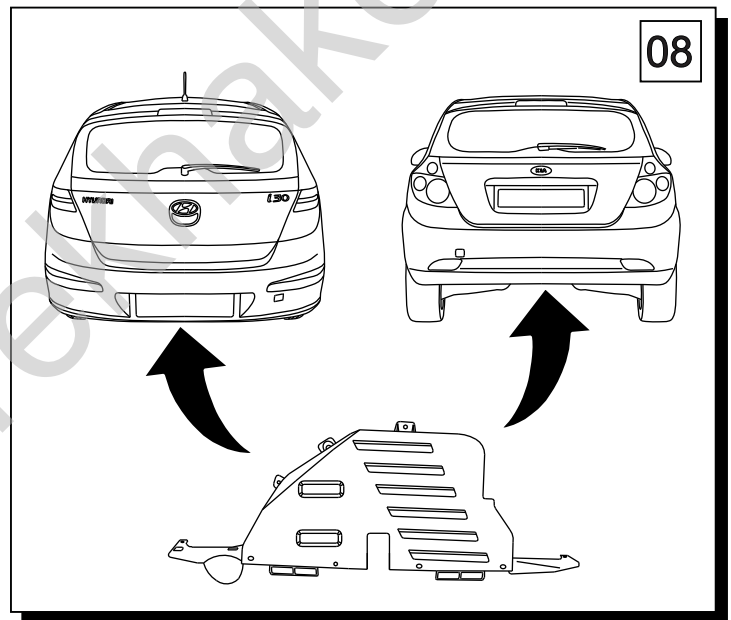
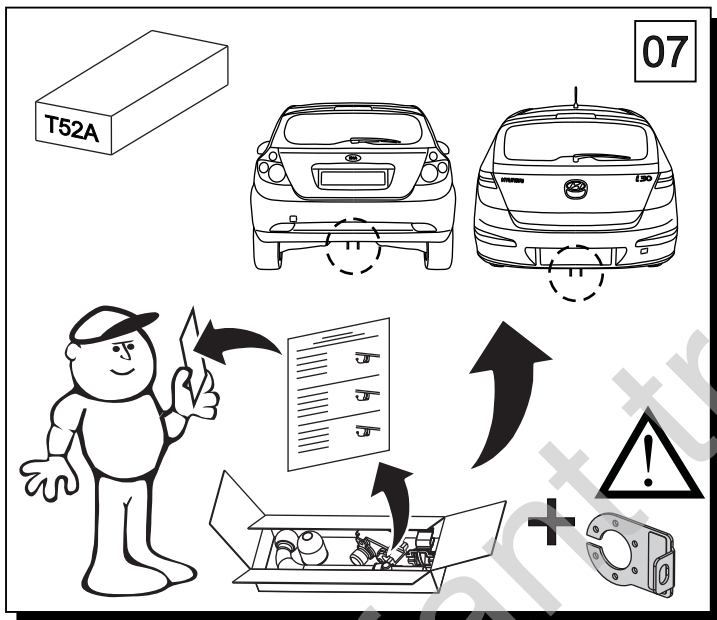
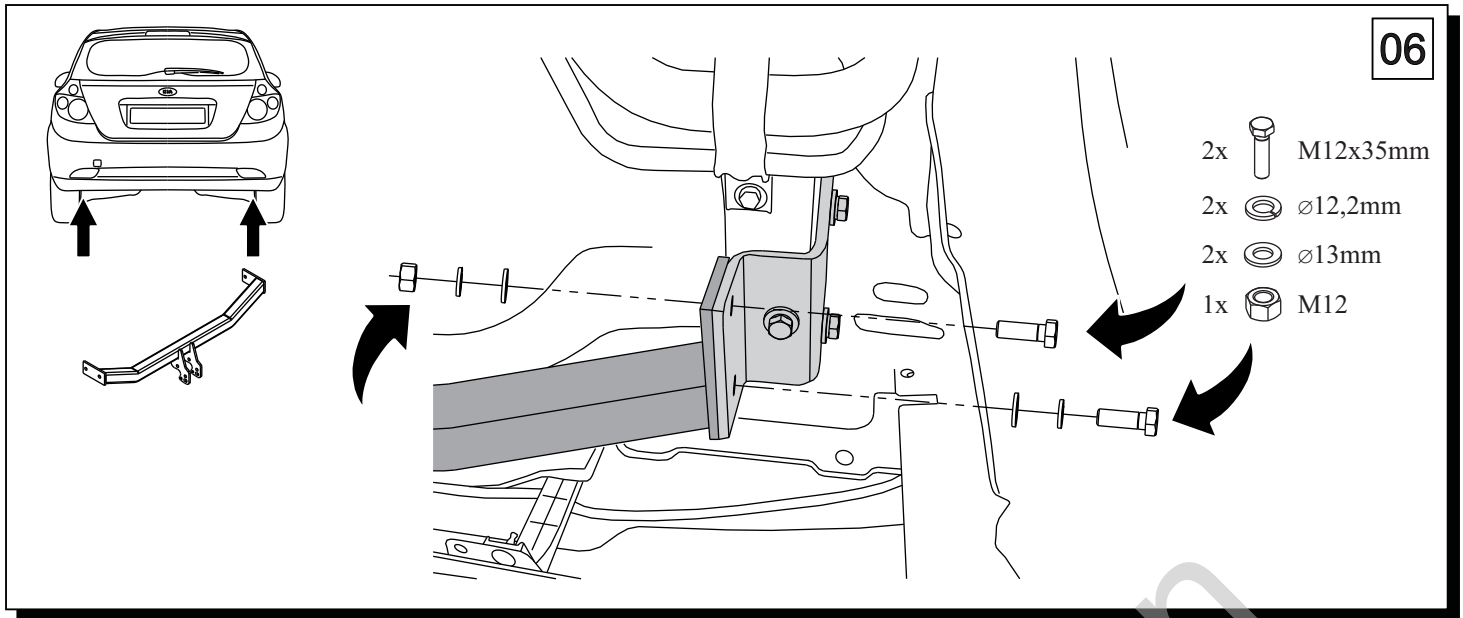

AUTO-HAK

	KIA CEE'D I 3/5 D, PRO CEE'd	Cat. no:
	2006 → 09.2009 10.2009 → 05.2012	T52A
	HYUNDAI I30 3/5 D	
	09.2007 → 02.2012	  2h
	e20 <u>e20*94/20*0279*00</u>	  <input type="checkbox"/>
D	8,3 kN	  <input type="checkbox"/>
	R=1500 kg	
	S=75 kg	
	16,5 kg 	
		





1		x1		6	M12x35	x4
				7	M12x1,25x35	x6
2		x1		8	M10x1,25x35	x6
				9	∅ 13	x4
3		x1		10	∅ 37x∅13x3 13 DIN 9021	x6
				11	∅ 30x∅10.5x2.5 10 DIN 9021	x6
4		x1		12	∅ 12.2	x10
				13	∅ 10.2	x6
5		x1		14	M12	x2



M6	-	11 Nm	M8	-	25 Nm
M10	-	50 Nm	M12	-	87 Nm
M14	-	138 Nm	M16	-	210 Nm

 **0 km** →  **1000 km**