

**AUTO-HAK Sp. z o.o.**

ul. Słoneczna 16K 76-200 SŁUPSK  
POLAND

tel/fax +48 59 8 414 414; +48 59 8 414 413

e-mail: [office@autohak.com.pl](mailto:office@autohak.com.pl)

[www.autohak.com.pl](http://www.autohak.com.pl)




**AUTO-HAK**

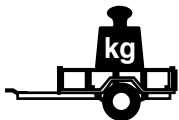
**SSANG YONG  
REXTON**

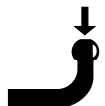
Nr kat.  
**SY08A**

 **07.2017 →**

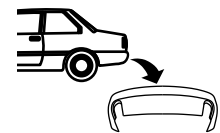
 **E20\*55R02\*6508**

**D 15,75 kN**

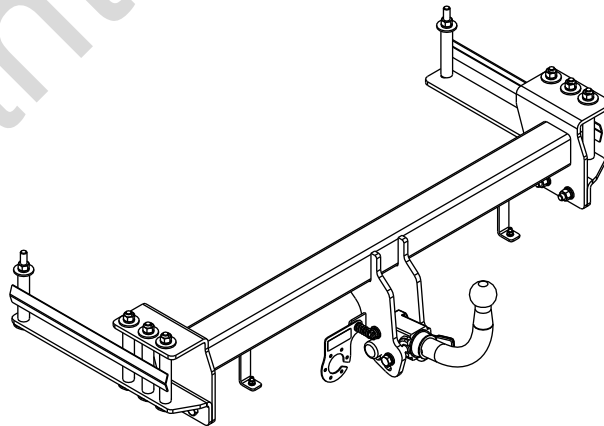
 **R=3500 kg**

 **S=160 kg**



 **2h**

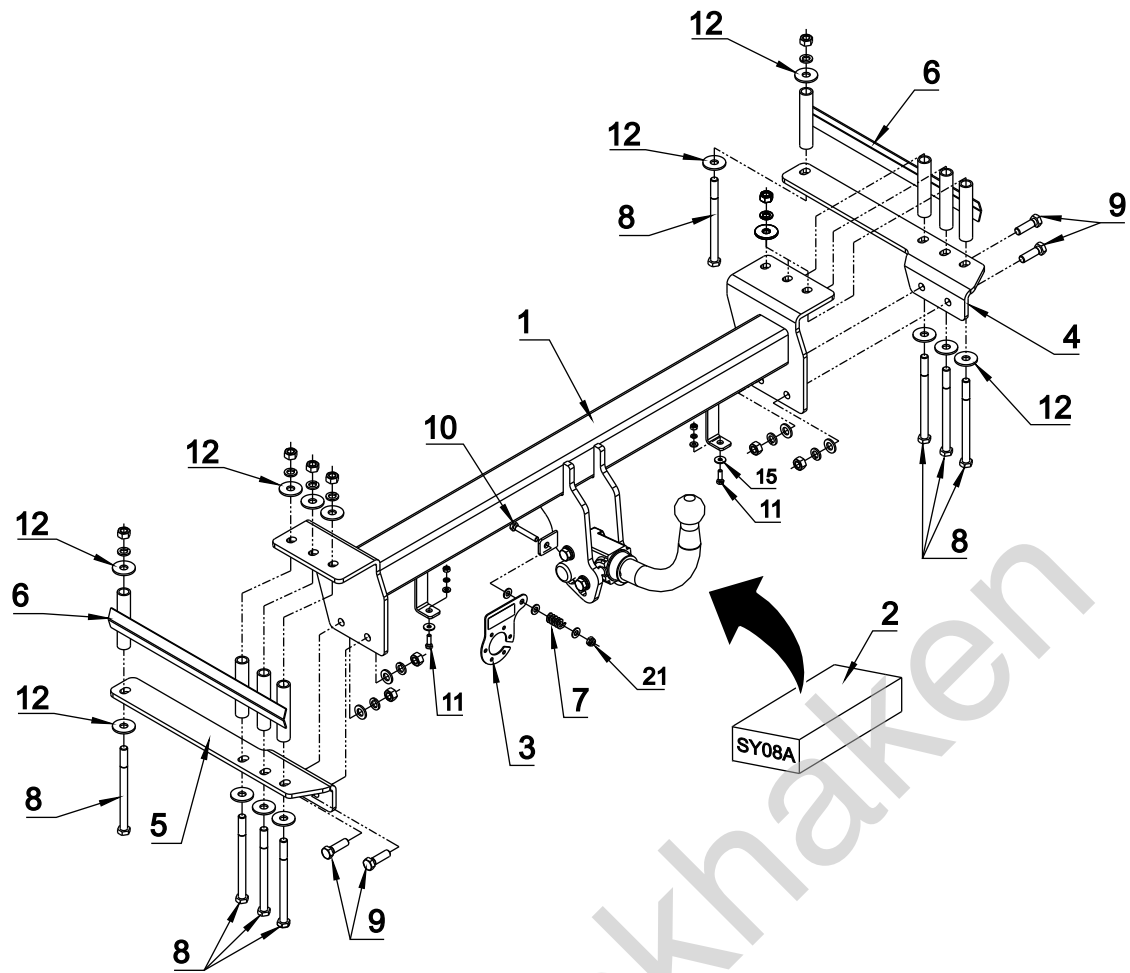


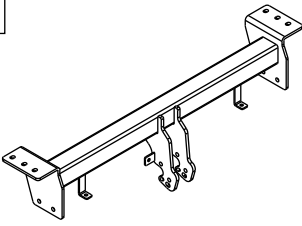

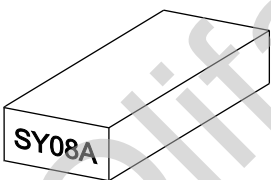



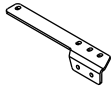

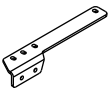

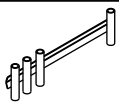

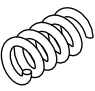




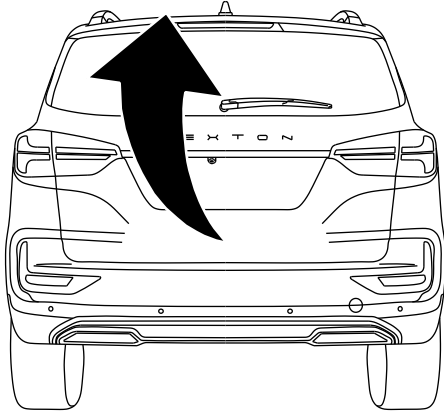
śruba Nm	M6	M8	M10	M12	M14	M16
klasa 8.8	9,9	24	48	83	132	200
klasa 10.9	14	34	67	117	185	285

 **0 km →**  **1000 km**

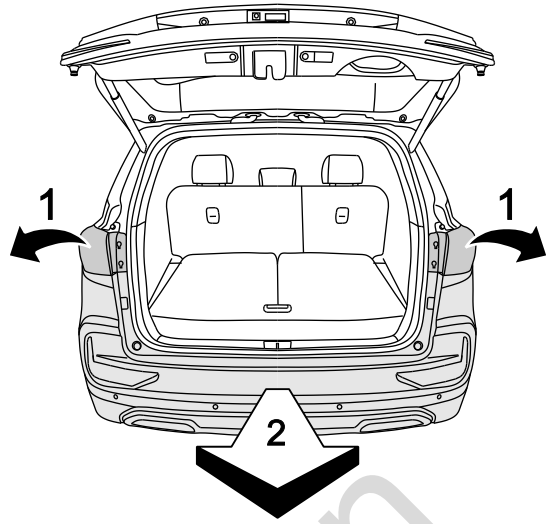


 <b>1</b>	<b>x1</b>		<b>8</b> M12x160	<b>x8</b>
			<b>9</b> M12x40	<b>x4</b>
			<b>10</b> M8x50	<b>x1</b>
			<b>11</b> M6x20	<b>x2</b>
			<b>12</b> $\varnothing 37 \times \varnothing 13 \times 3$ 13 (DIN 9021)	<b>x16</b>
 <b>2</b> Art.nr-KL1SY08A	<b>x1</b>		<b>13</b> $\varnothing 13$	<b>x4</b>
			<b>14</b> $\varnothing 8.4$	<b>x3</b>
			<b>15</b> $\varnothing 18 \times \varnothing 6.4 \times 1.6$ 6 (DIN 9021)	<b>x2</b>
 <b>3</b> Art.nr-BL12SY08A	<b>x1</b>		<b>16</b> $\varnothing 6.4$	<b>x2</b>
			<b>17</b> $\varnothing 12.2$	<b>x12</b>
 <b>4</b>	<b>x1</b>		<b>18</b> $\varnothing 6.1$	<b>x2</b>
			<b>19</b> M12	<b>x14</b>
 <b>5</b>	<b>x1</b>		<b>20</b> M6	<b>x2</b>
			<b>21</b> M8 (DIN985)	<b>x1</b>
 <b>6</b>	<b>x2</b>		<b>22</b>	
 <b>7</b>	<b>x1</b>			

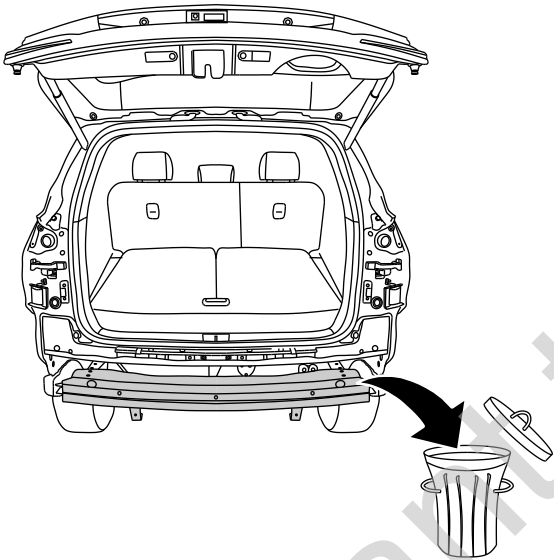
01



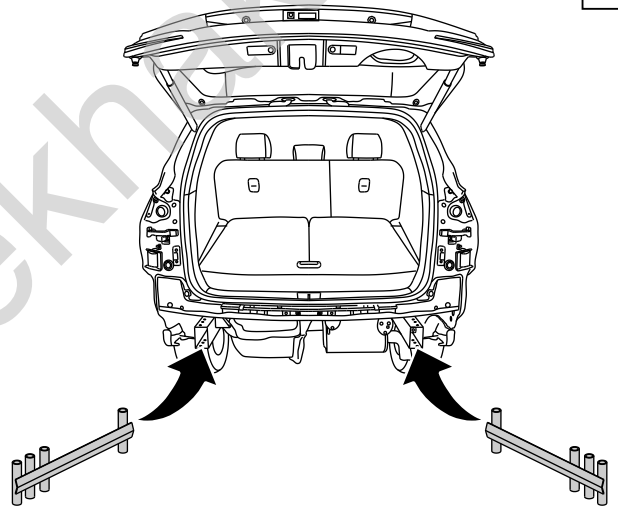
02



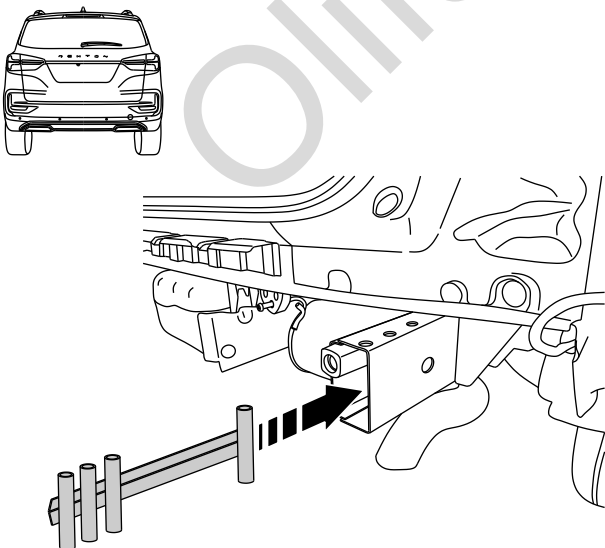
03



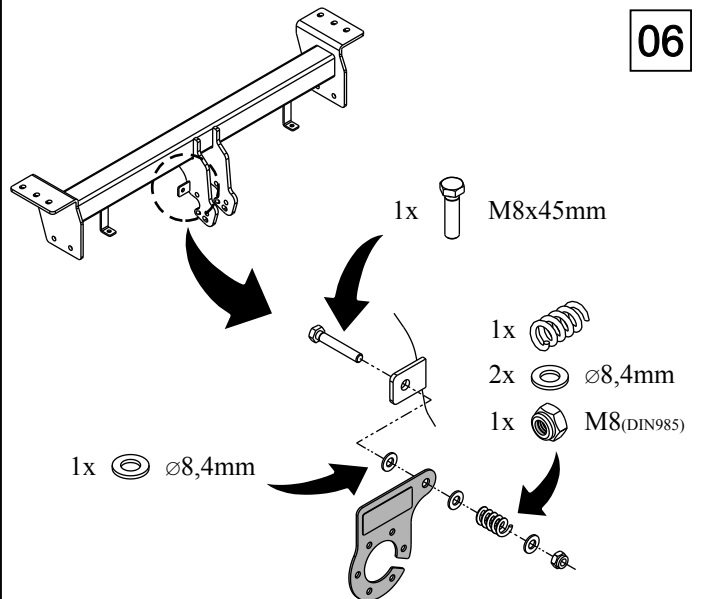
04



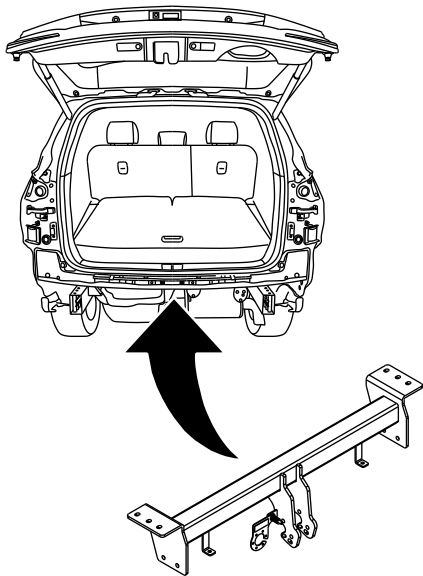
05



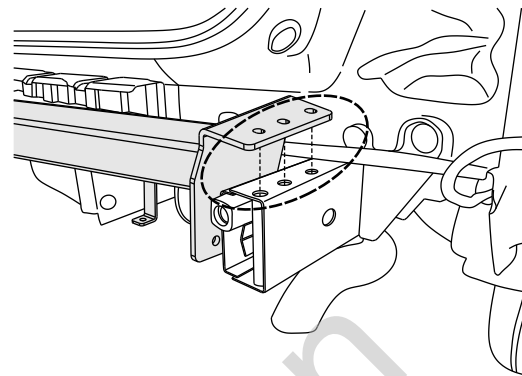
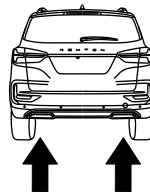
06



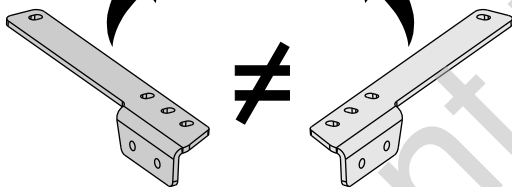
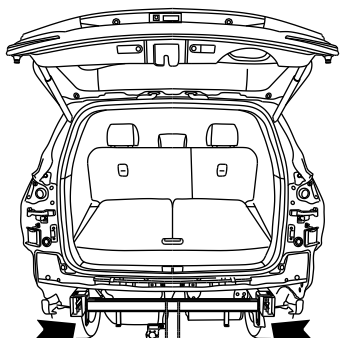
07



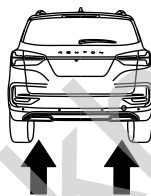
08



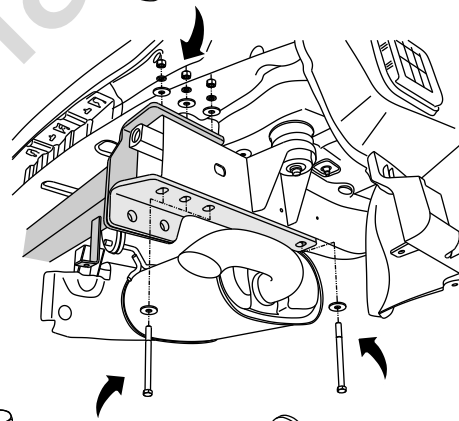
09



10

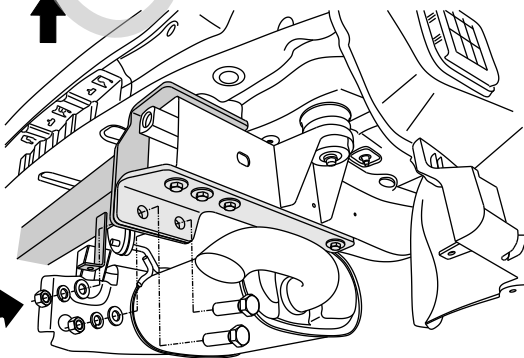
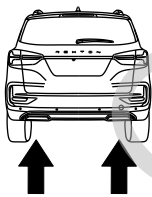


- 3x  $\varnothing 37 \times \varnothing 13 \times 3 \text{mm}$
- 3x  $\varnothing 12,2 \text{mm}$
- 3x M12



- 4x M12x160mm
- 4x  $\varnothing 37 \times \varnothing 13 \times 3 \text{mm}$

11



- 2x  $\varnothing 13 \text{mm}$
- 2x  $\varnothing 12,2 \text{mm}$
- 2x M12
- 2x M12x40mm

12

