

# AUTO-HAK Sp. z o.o.

ul. Słoneczna 16K 76-200 SŁUPSK  
POLAND

tel/fax +48 59 8 414 414; +48 59 8 414 413

e-mail: [office@autohak.com.pl](mailto:office@autohak.com.pl)

[www.autohak.com.pl](http://www.autohak.com.pl)



# AUTO-HAK

## SSANG YONG TIVOLI (+AdBlue)

Nr kat.

**SY05A**



06.2019 →



E20\*55R02\*6493



9,05 kN



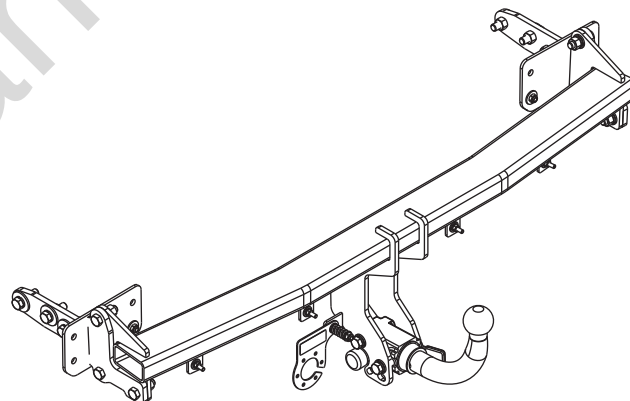
R=1650 kg



S=104 kg



2h



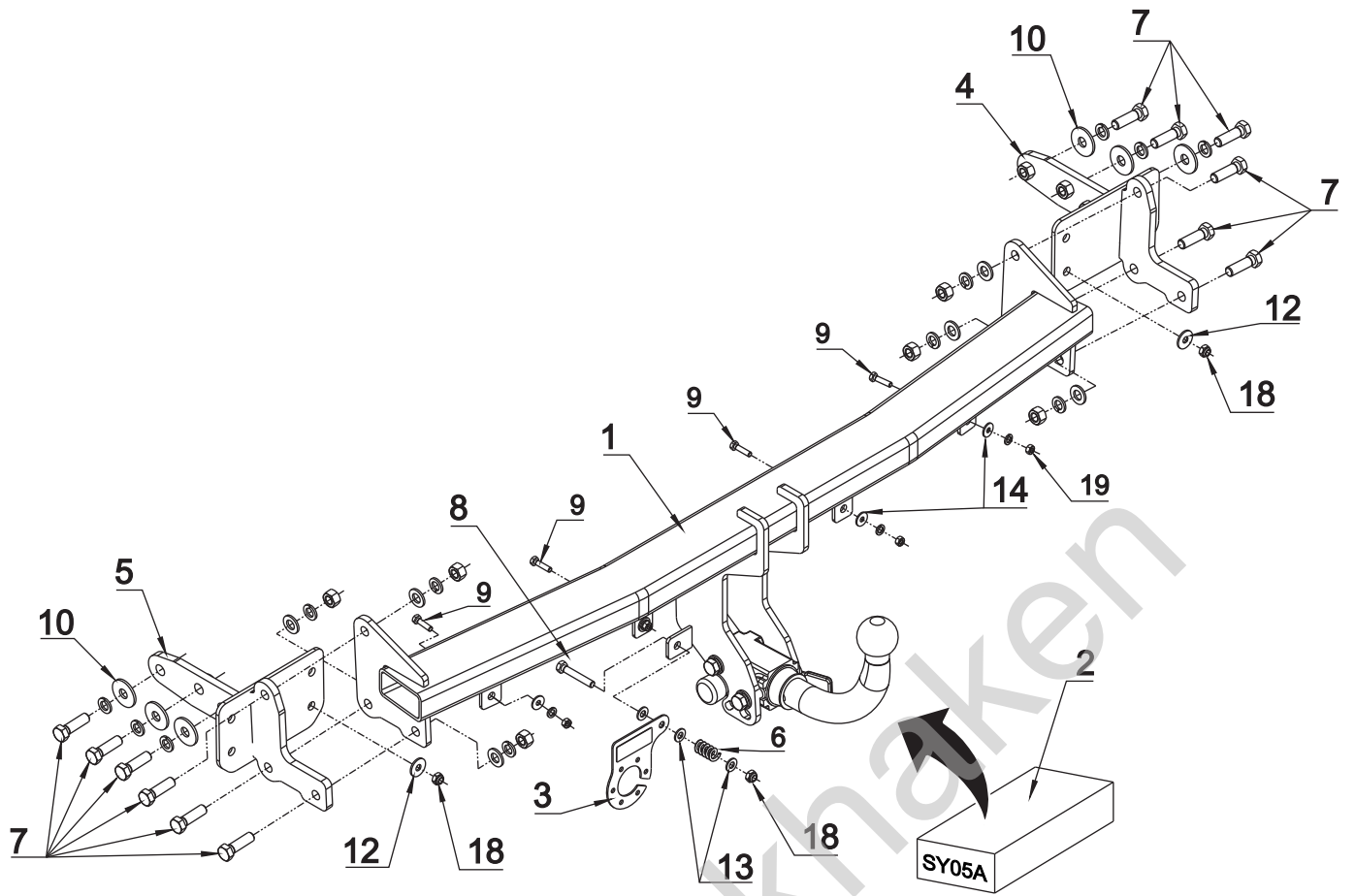
śruba	Nm	M6	M8	M10	M12	M14	M16
klasa 8.8		9,9	24	48	83	132	200
klasa 10.9		14	34	67	117	185	285

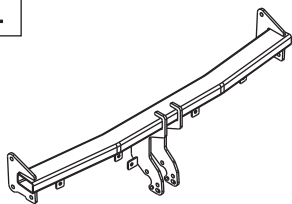

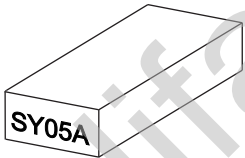



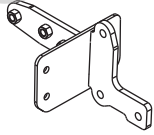

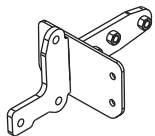






0 km →

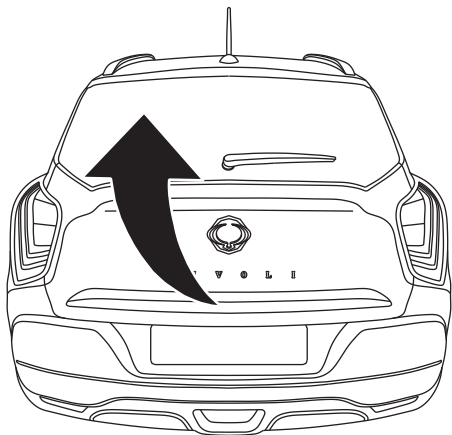


1000 km

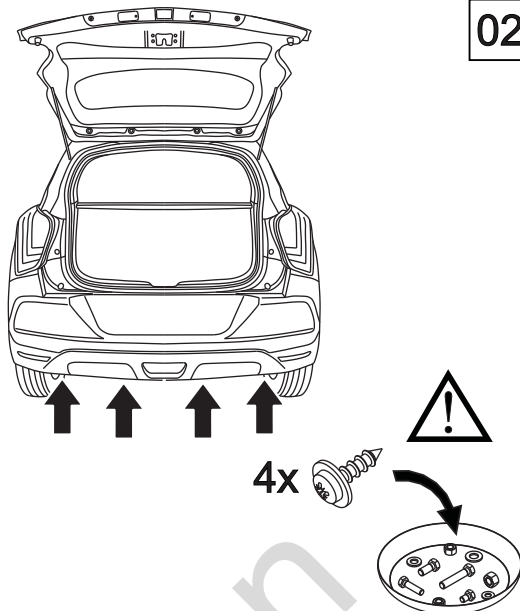


<b>1</b>		<b>x 1</b>		<b>7</b> M12x40	<b>x 12</b>
<b>2</b>		<b>x 1</b>		<b>8</b> M8x50	<b>x 1</b>
<b>3</b>		<b>x 1</b>		<b>9</b> M6x25	<b>x 4</b>
<b>4</b>		<b>x 1</b>		<b>10</b> $\phi$ 37x $\phi$ 13x3 13 (DIN 9021)	<b>x 6</b>
<b>5</b>		<b>x 1</b>		<b>11</b> $\phi$ 13	<b>x 6</b>
<b>6</b>		<b>x 1</b>		<b>12</b> $\phi$ 24x $\phi$ 8.5x2 8 (DIN 9021)	<b>x 2</b>
				<b>13</b> $\phi$ 8.4	<b>x 3</b>
				<b>14</b> $\phi$ 18x $\phi$ 6.4x1.6 6 (DIN 9021)	<b>x 4</b>
				<b>15</b> $\phi$ 12.2	<b>x 12</b>
				<b>16</b> $\phi$ 6.1	<b>x 4</b>
				<b>17</b> M12	<b>x 6</b>
				<b>18</b> M8 (DIN985)	<b>x 3</b>
				<b>19</b> M6	<b>x 4</b>

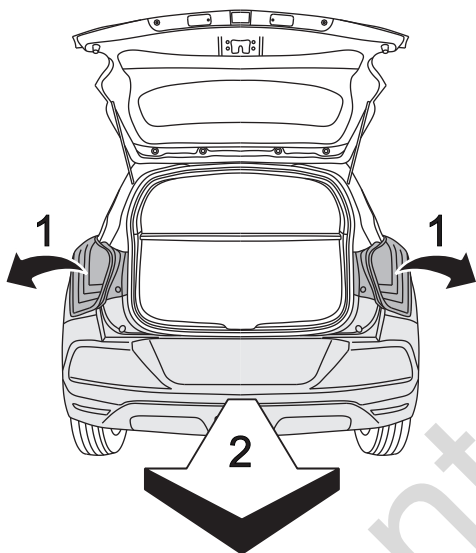
01



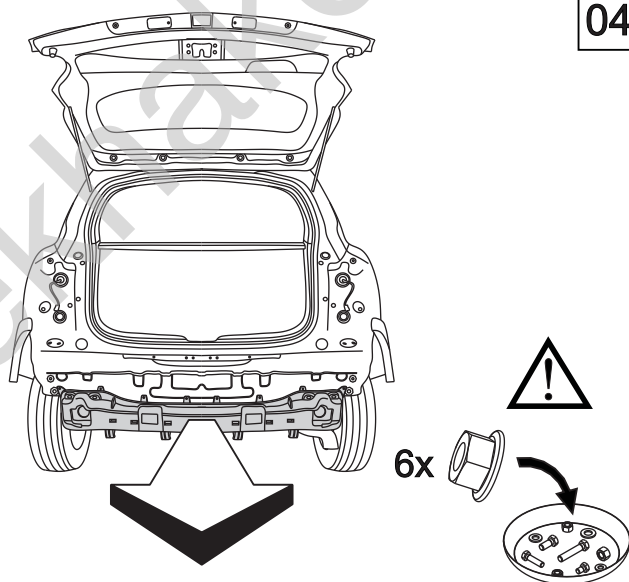
02



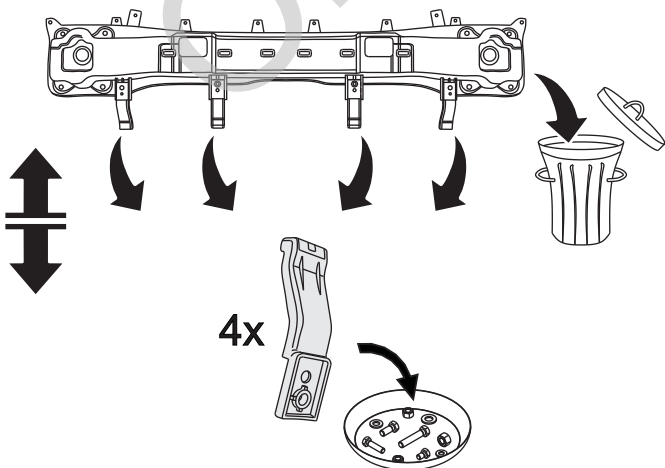
03



04



05



06

