

AUTO-HAK Sp. z o.o.

ul. Słoneczna 16K 76-200 SŁUPSK
POLAND

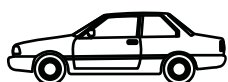
tel/fax +48 59 8 414 414; +48 59 8 414 413

e-mail: office@autohak.com.pl

www.autohak.com.pl



AUTO-HAK



SSANG YONG TIVOLI

⚠ 2WD, ~~4WD~~ ⚠

Cat. no:

SY03A



2015 → 2019



E20-55R-01 4455



2h



8,21 kN



R=1300 kg



—

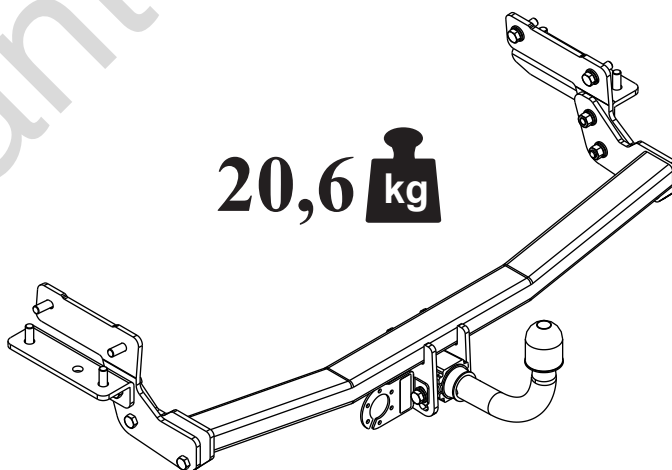


S=75 kg



—

20,6 kg



M6 - 11 Nm
M10 - 50 Nm
M14 - 138 Nm

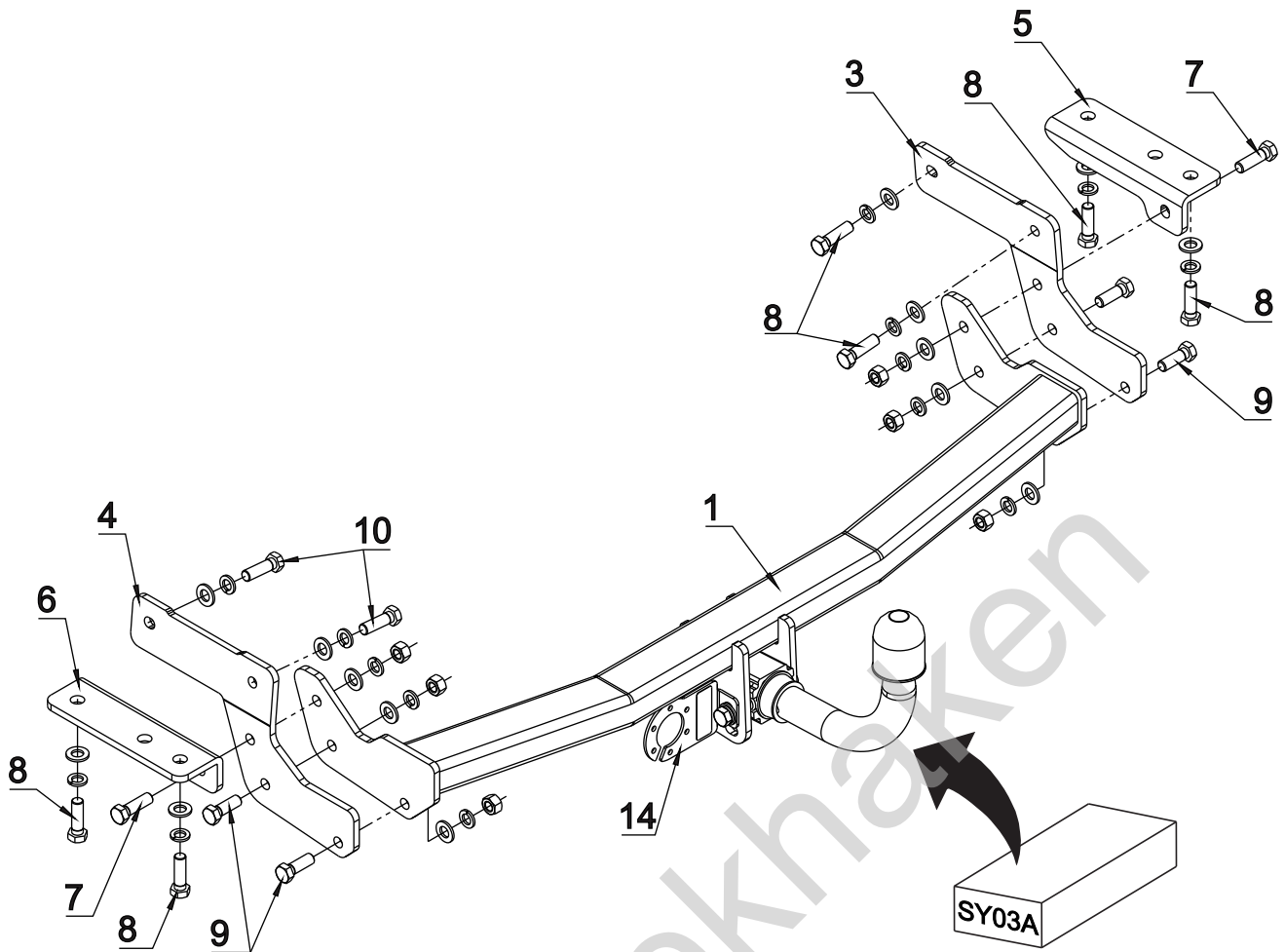
M8 - 25 Nm
M12 - 87 Nm
M16 - 210 Nm

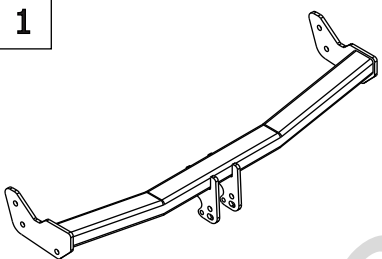





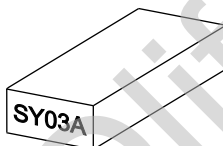
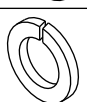
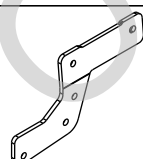
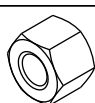
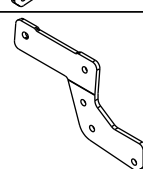
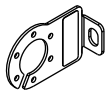

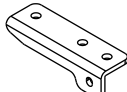
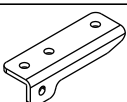


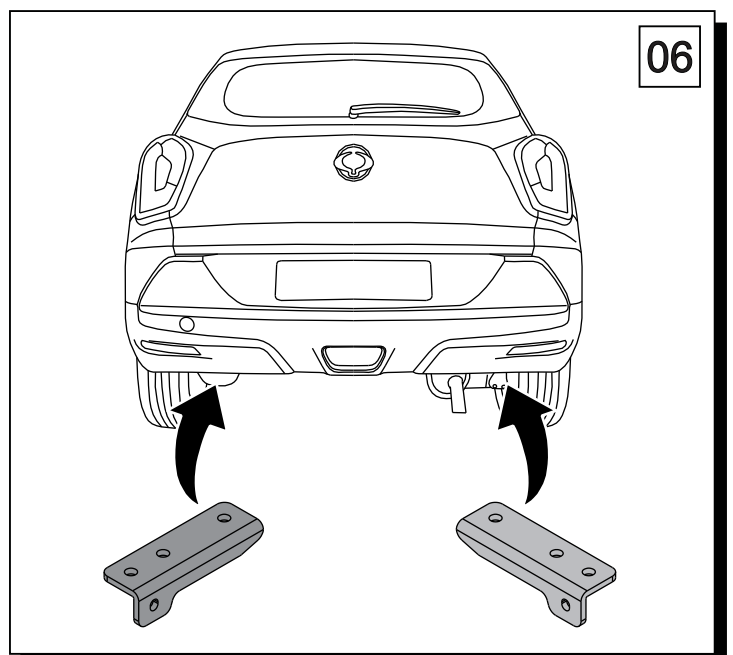
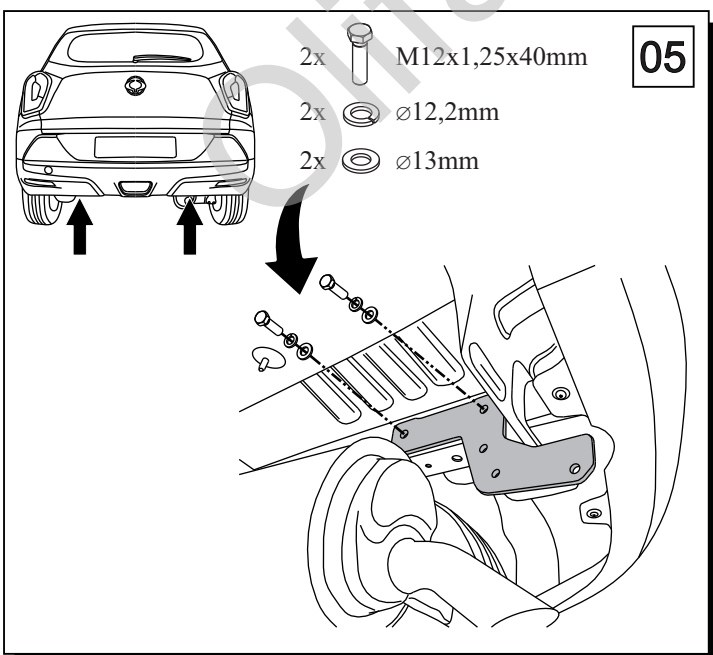
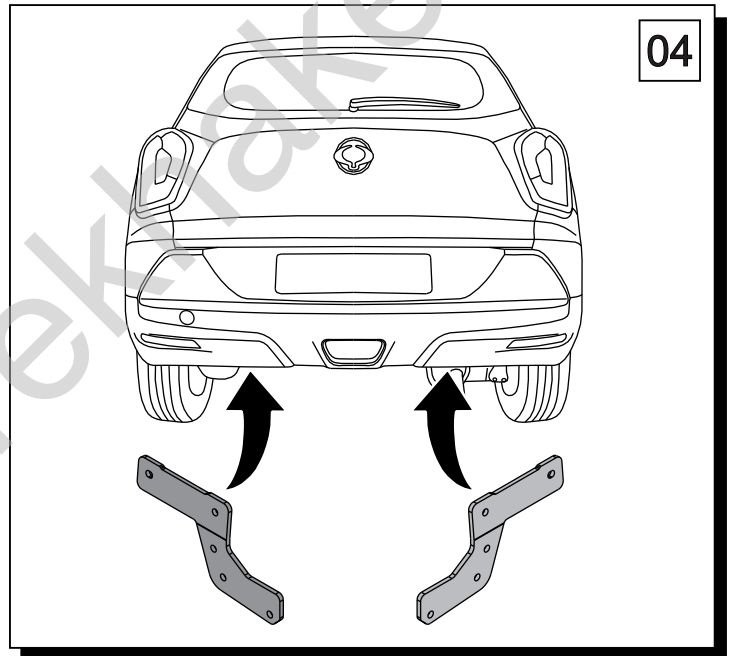
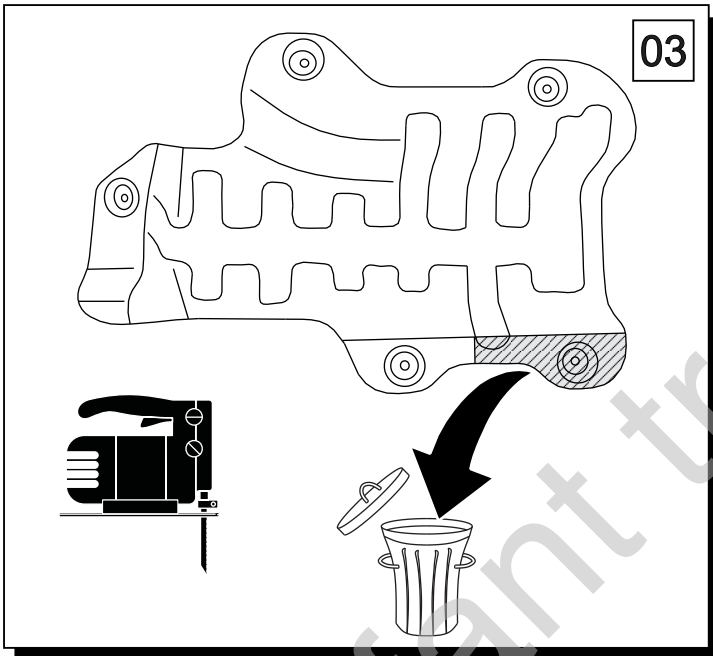
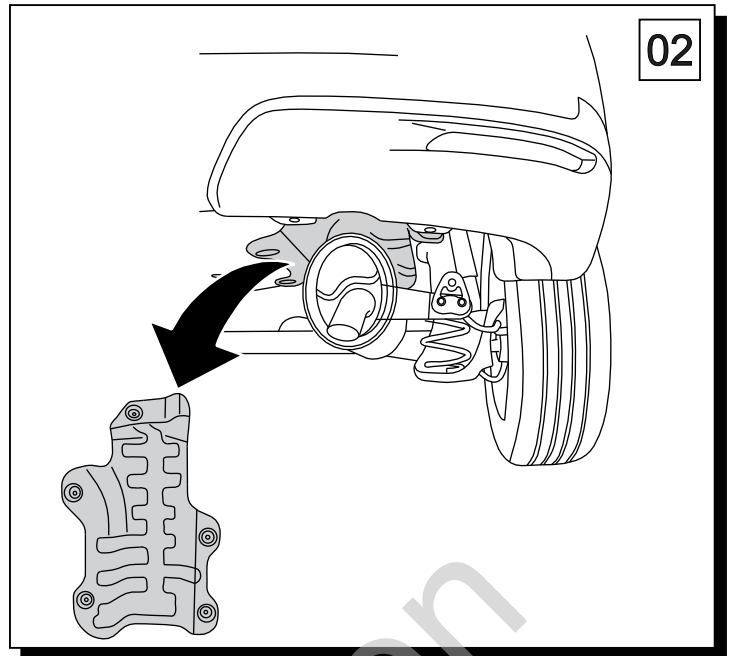
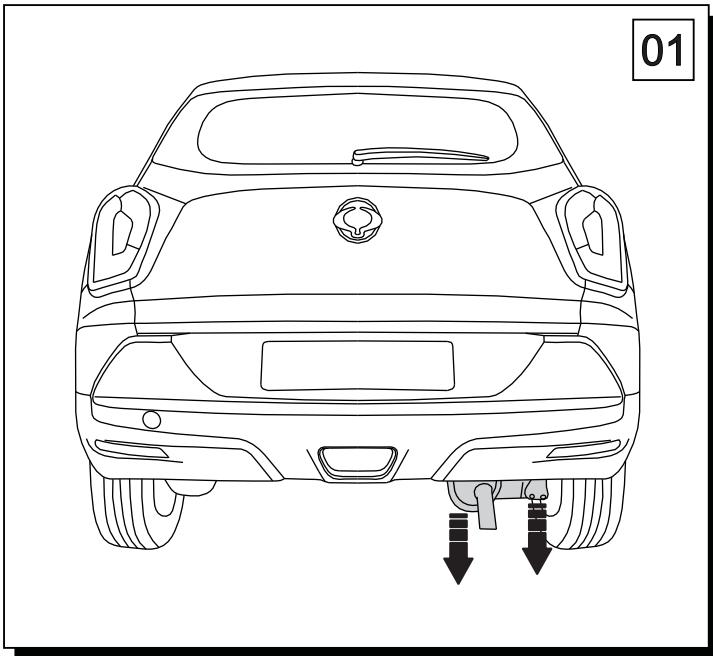
0 km →

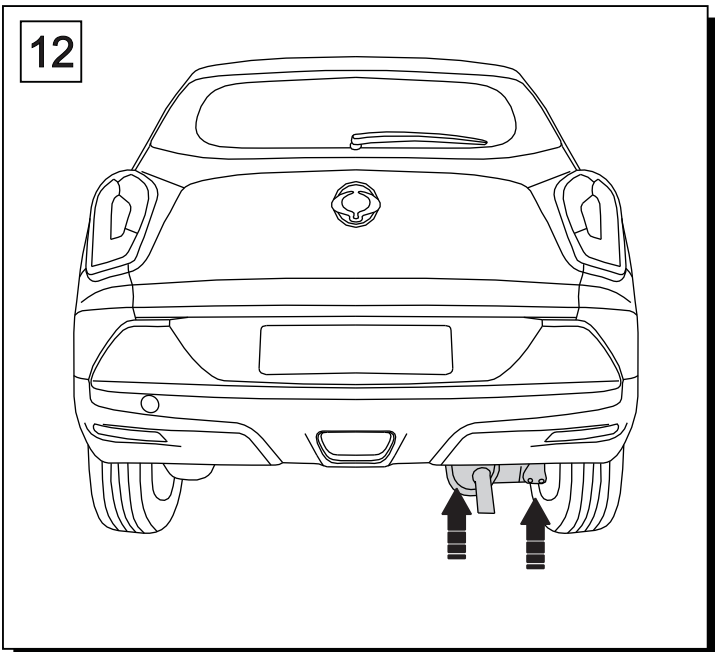
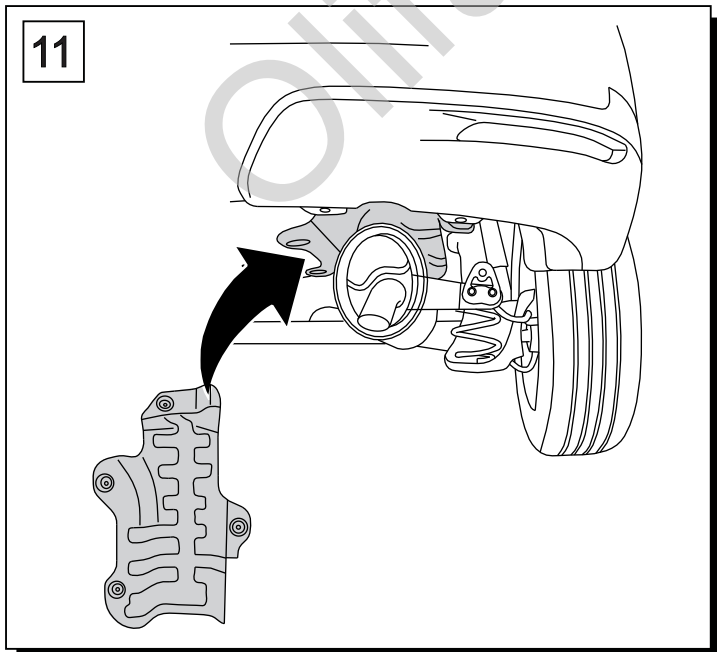
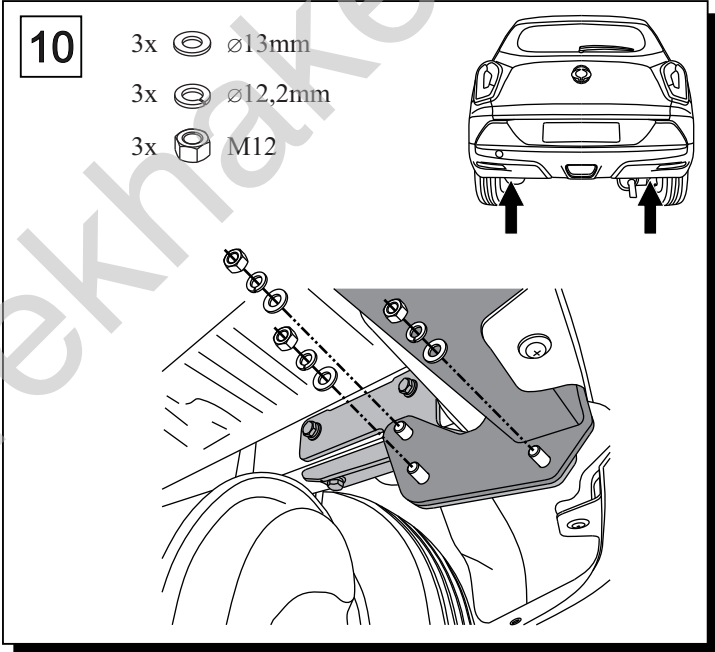
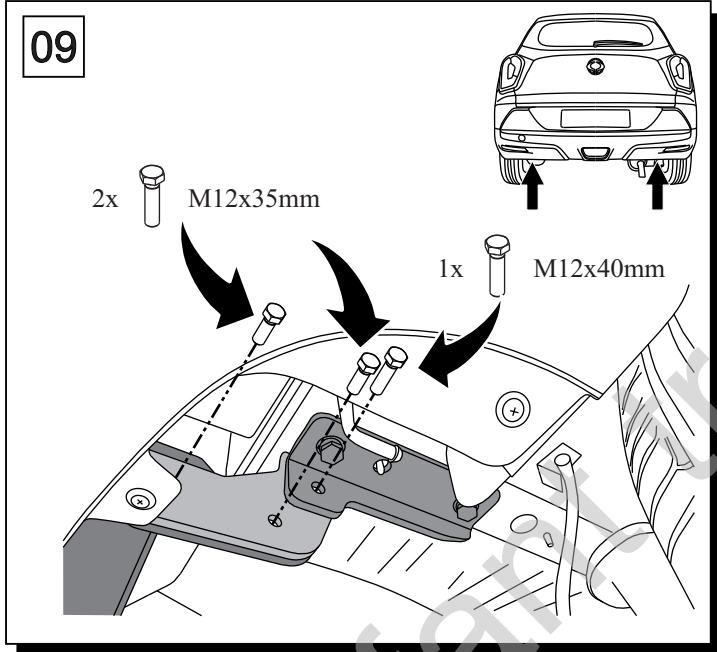
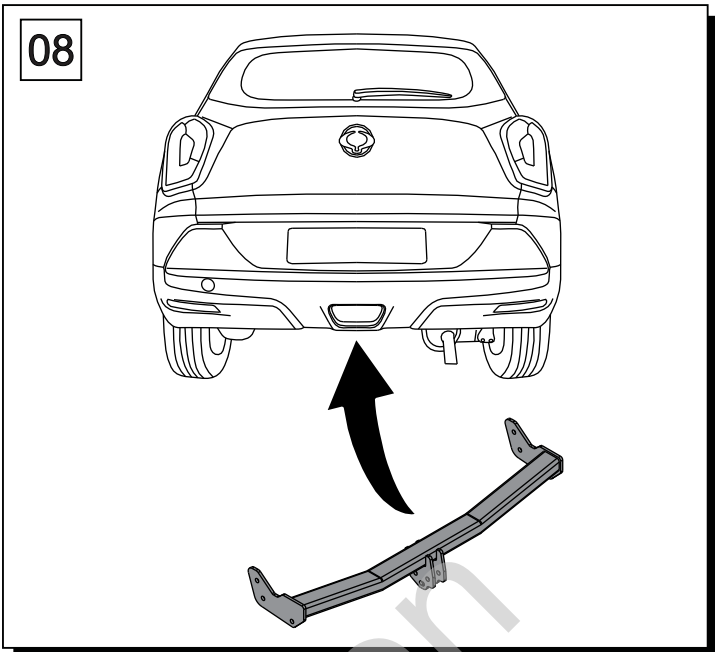
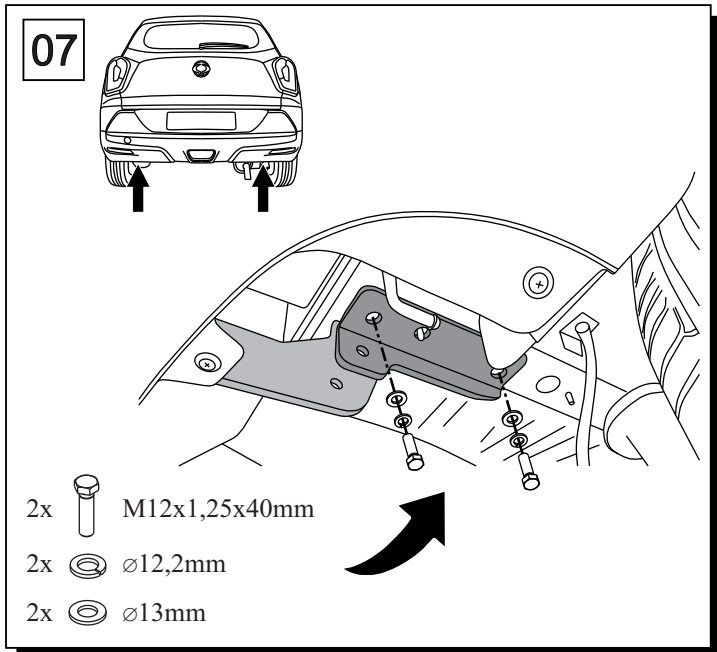


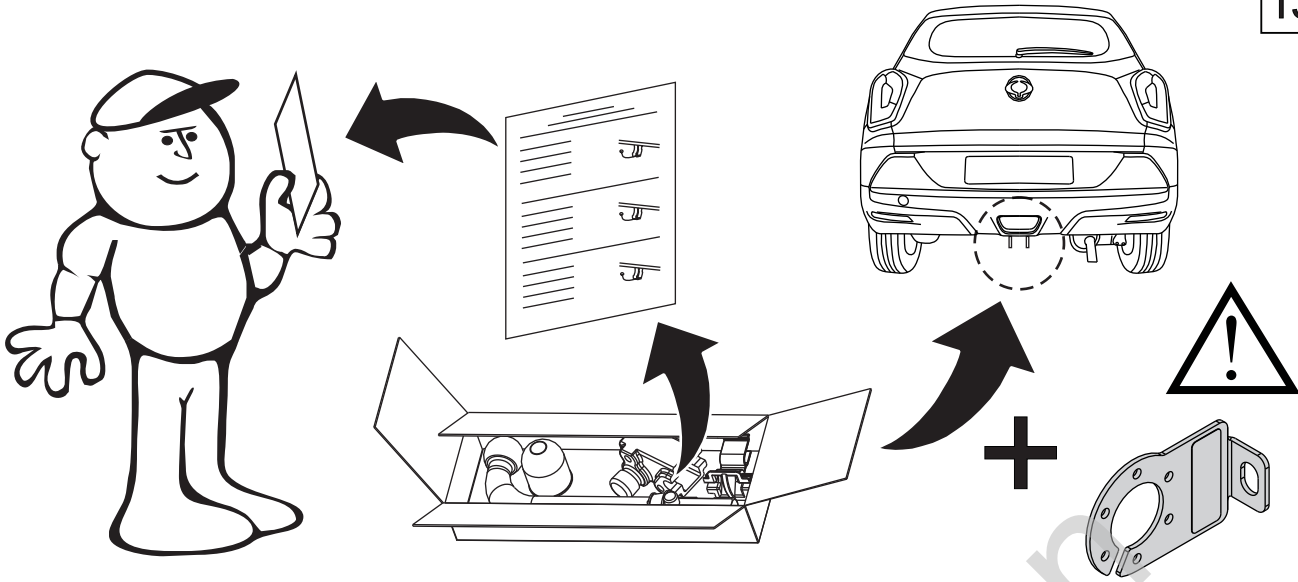
1000 km



1		x1		7	M12x40	x2
				8	M12x1.25x40	x8
				9	M12x35	x4
				10	M12x25	x4
				11	∅ 13	x16
2	 Art.nr-KL1SY03A	x1		12	∅ 12.2	x18
3		x1		13	M12	x6
4		x1	14			x1
					Art.nr-BL1SY03A	
			15			x1
5		x1				
6		x1				







M6	-	11 Nm	M8	-	25 Nm
M10	-	50 Nm	M12	-	87 Nm
M14	-	138 Nm	M16	-	210 Nm

0 km → 1000 km

The block contains a torque wrench on the left. Below the table, a circular arrow icon is followed by '0 km', an arrow pointing right, another circular arrow icon, and '1000 km'. A large diagonal watermark 'Olifant trekhaken' is visible across the page.