

# AUTO-HAK Sp. z o.o.

ul. Słoneczna 16K 76-200 SŁUPSK  
POLAND

tel/fax +48 59 8 414 414; +48 59 8 414 413

e-mail: [office@autohak.com.pl](mailto:office@autohak.com.pl)

[www.autohak.com.pl](http://www.autohak.com.pl)



# AUTO-HAK



SSANG YONG TIVOLI

⚠ 2WD, ~~4WD~~ ⚠

Cat. no:

**SY03**



2015 → 2019



E20-55R-01 4454



8,21 kN



R=1300 kg



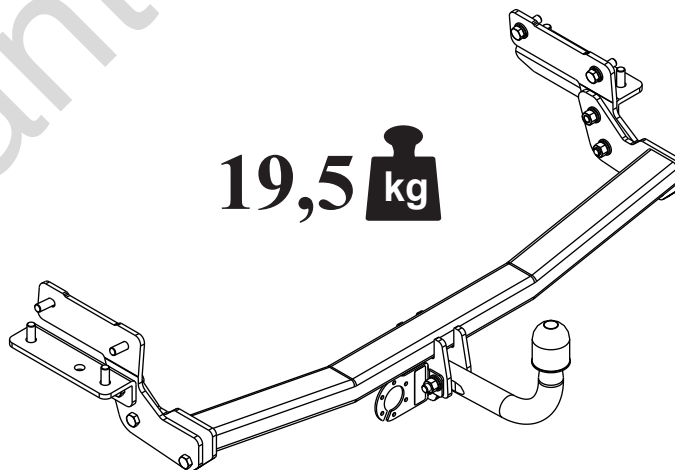
S=75 kg



2h



19,5 kg



M6 - 11 Nm  
M10 - 50 Nm  
M14 - 138 Nm

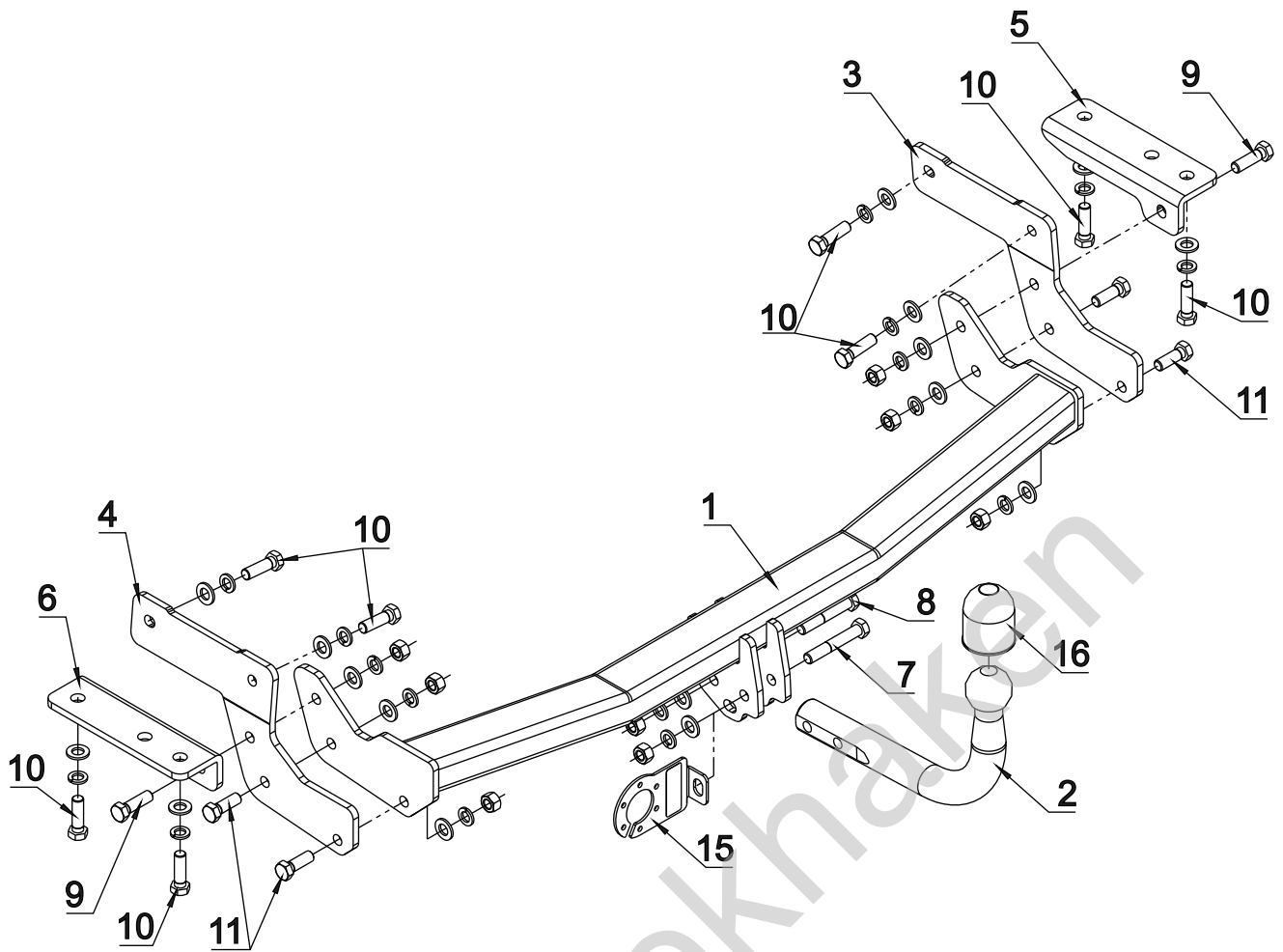
M8 - 25 Nm  
M12 - 87 Nm  
M16 - 210 Nm

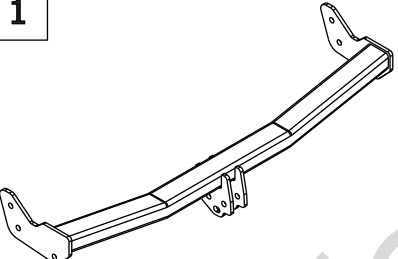
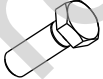
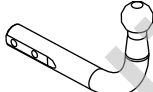

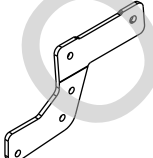

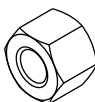
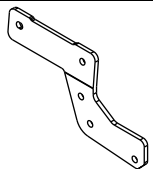
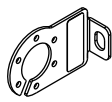
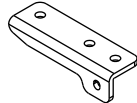
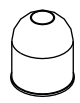
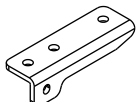


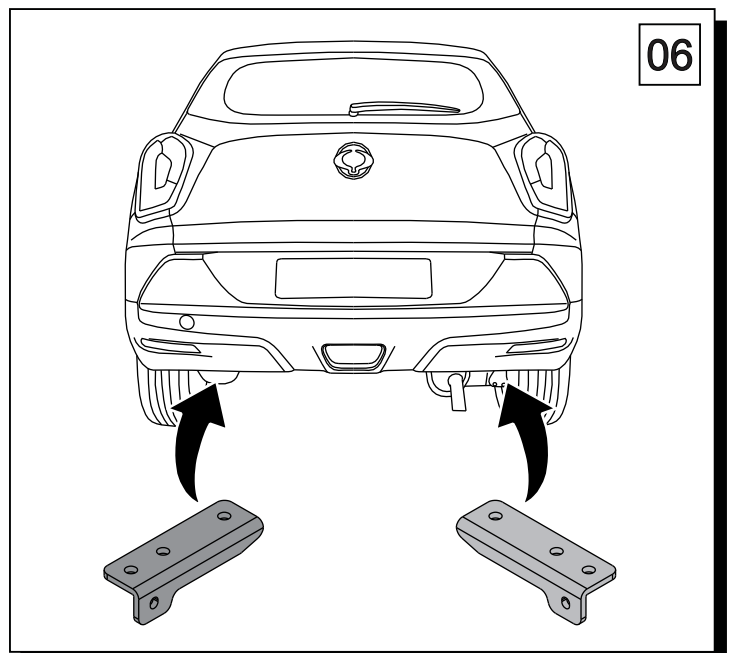
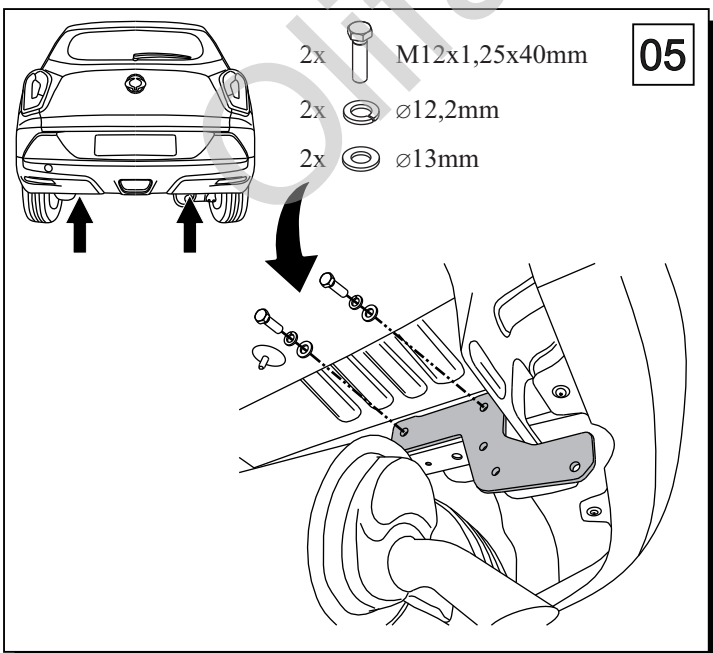
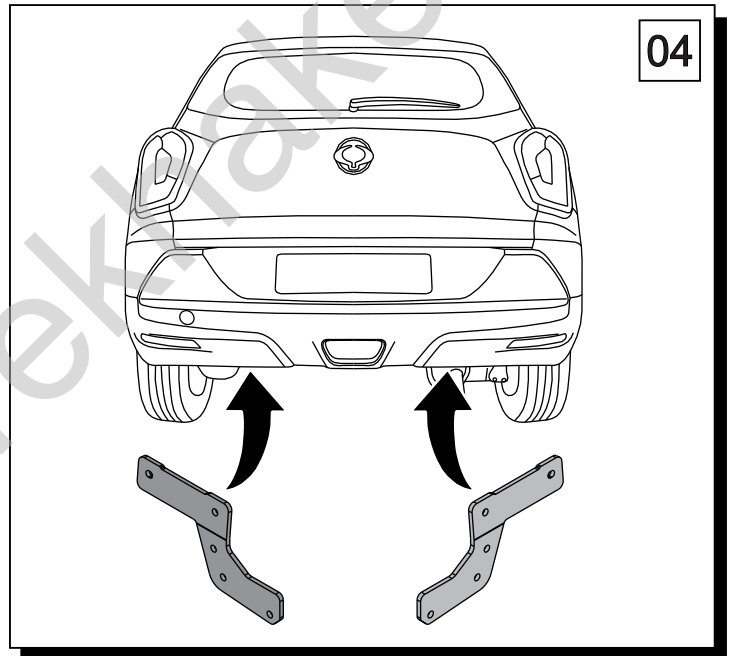
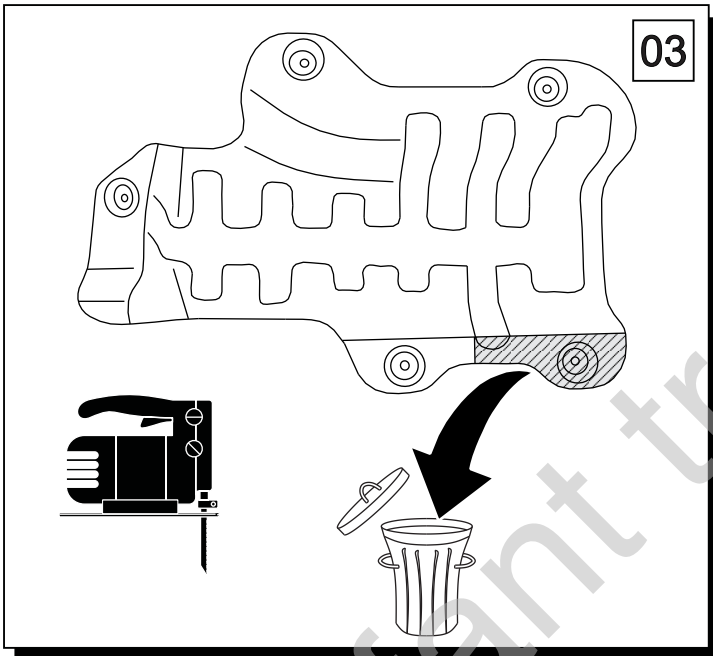
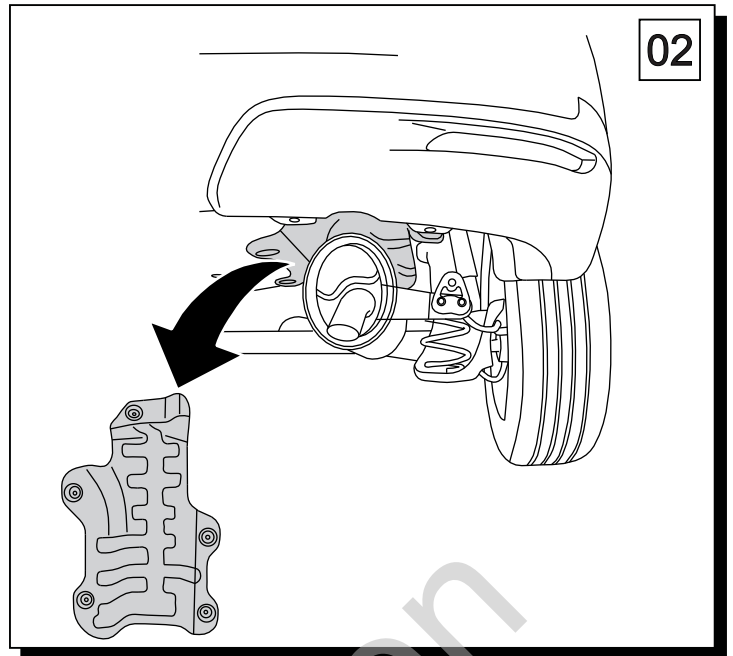
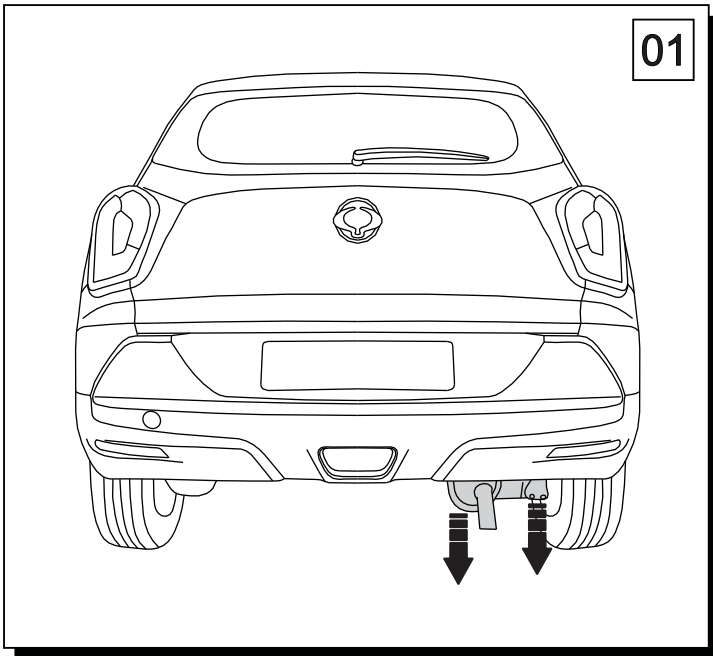
0 km →

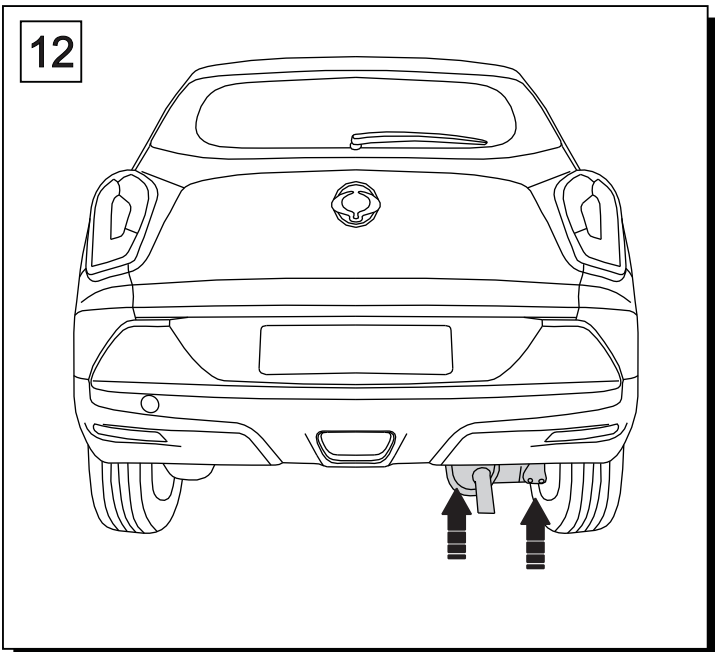
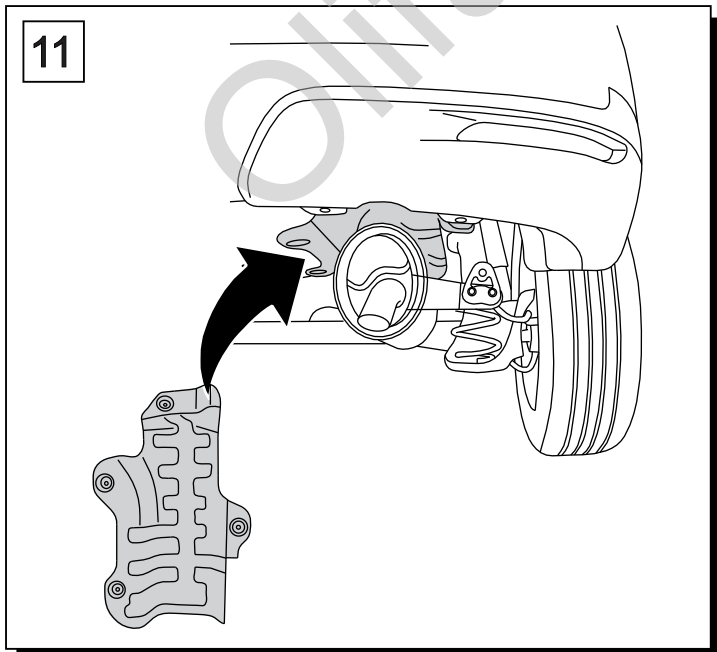
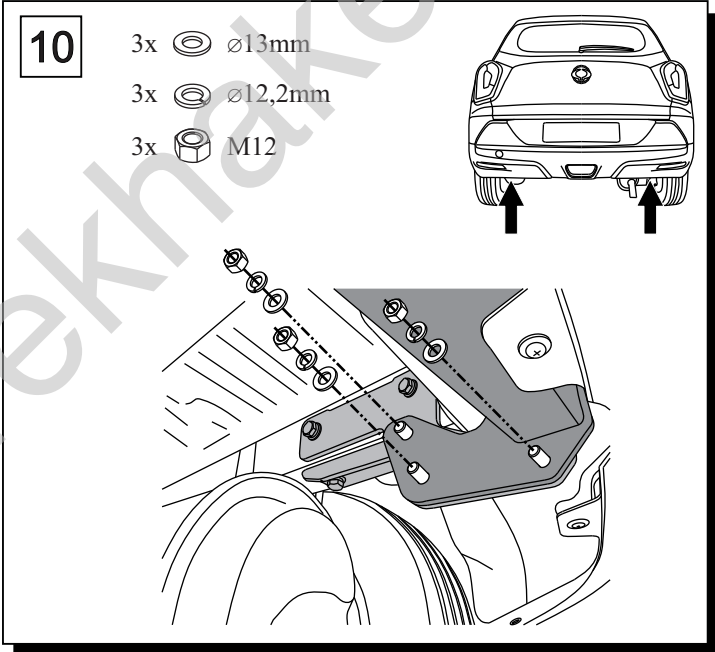
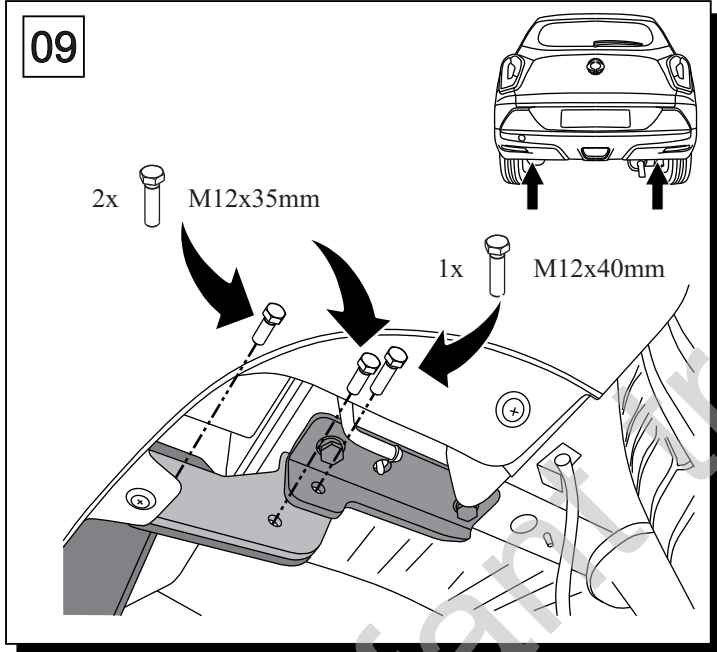
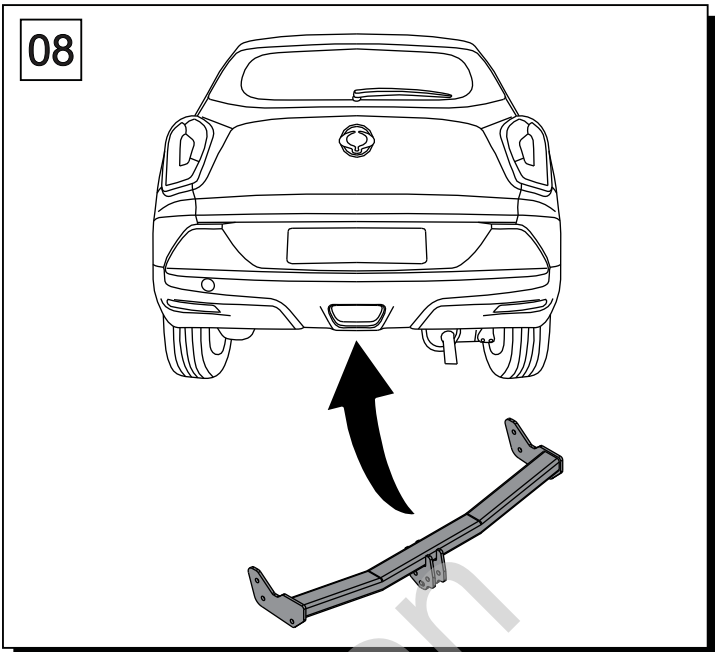
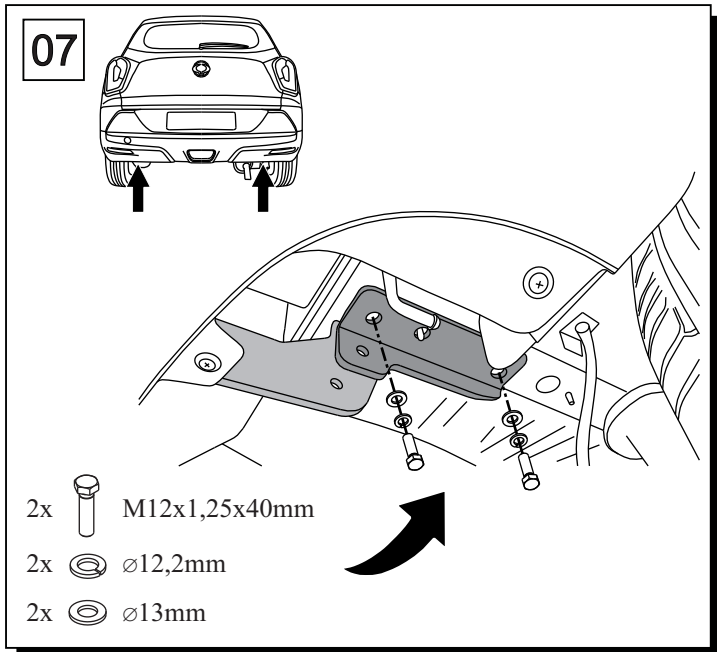


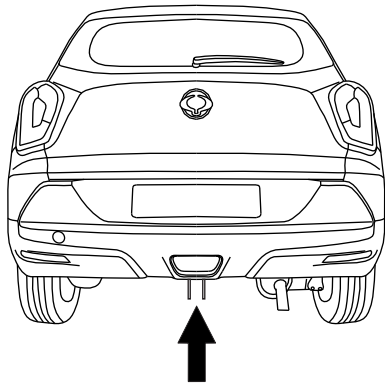
1000 km







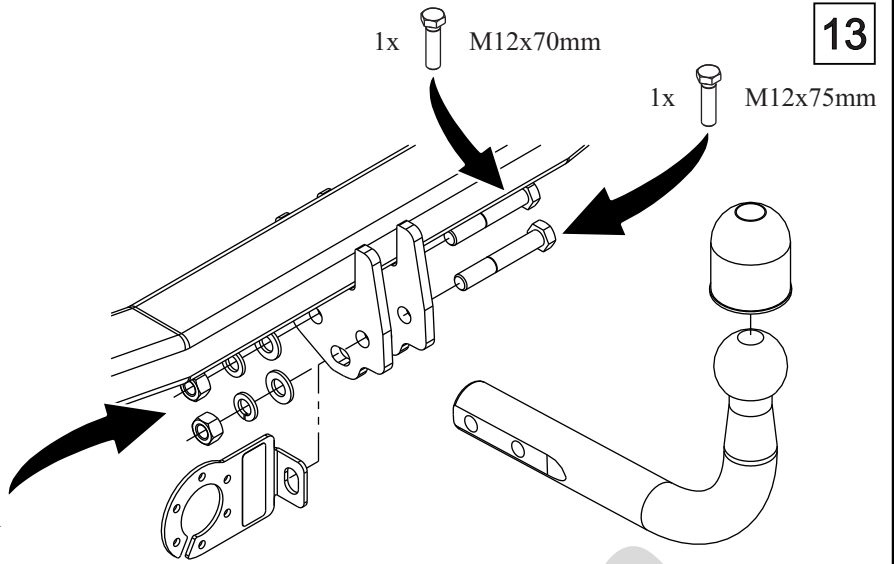
1		x1		7	M12x75	x1
				8	M12x70	x1
				9	M12x40	x2
				10	M12x1.25x40	x8
				11	M12x35	x4
2		x1		12	∅ 13	x16
	Art.nr-KL1SY03					
3		x1		13	∅ 12.2	x16
				14	M12	x8
4		x1	15			x1
					Art.nr-BL1SY03	
5		x1	16			x1
6		x1				









- 2x   $\varnothing 13\text{mm}$
- 2x   $\varnothing 12,2\text{mm}$
- 2x  M12



<b>M6</b>	-	11 Nm	<b>M8</b>	-	25 Nm
<b>M10</b>	-	50 Nm	<b>M12</b>	-	87 Nm
<b>M14</b>	-	138 Nm	<b>M16</b>	-	210 Nm

 **0 km** →  **1000 km**

Olifant trekken