

AUTO-HAK Sp. z o.o.

ul. Słoneczna 16K 76-200 SŁUPSK
POLAND

tel/fax +48 59 8 414 414; +48 59 8 414 413

e-mail: office@autohak.com.pl

www.autohak.com.pl



AUTO-HAK

SSANGYONG KORANDO 4WD (model CK)

Nr kat.

SY02A



10.2010 → 2015

2015 → 08.2019

e20

e20*94/20*1453*00



1h

D

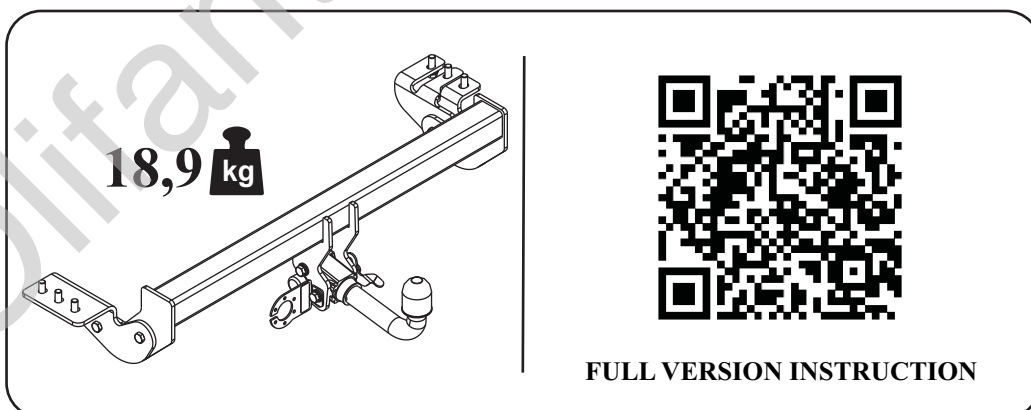
11,55 kN



R=2000 kg



S=100 kg



FULL VERSION INSTRUCTION



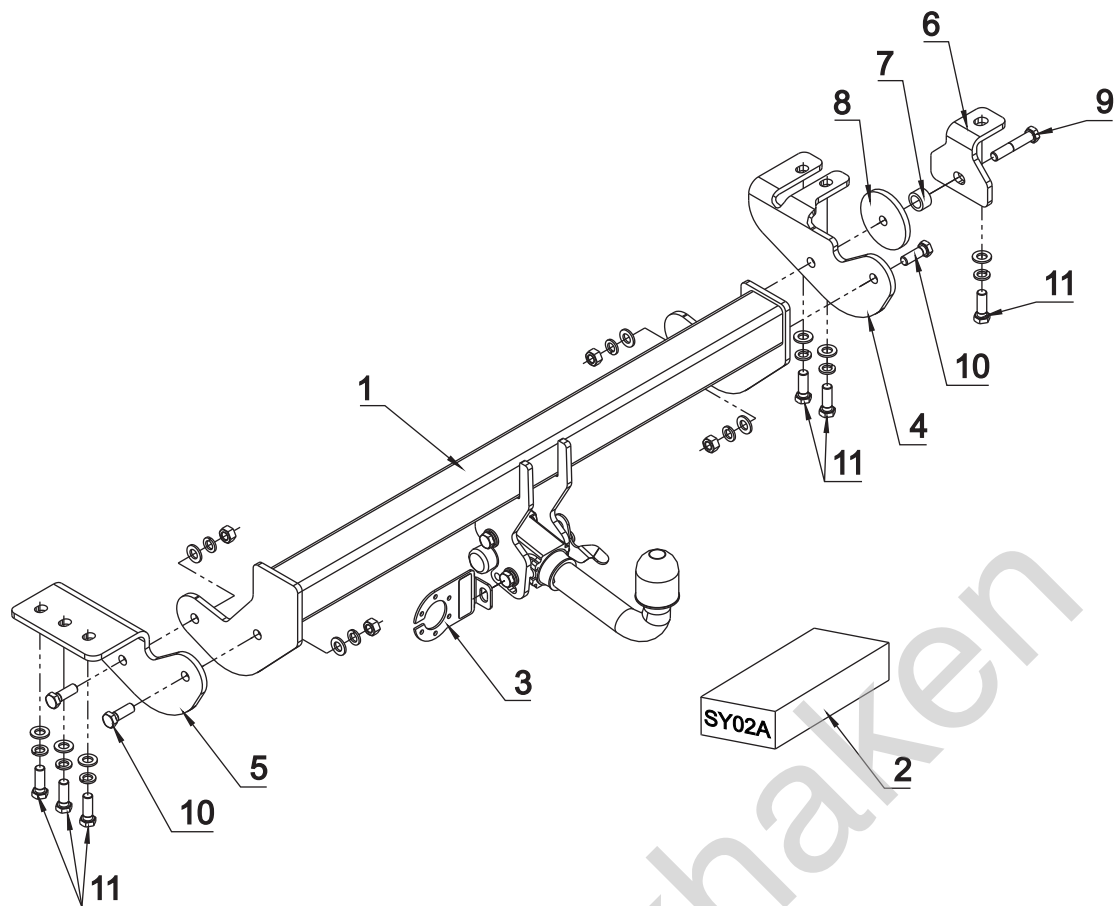
śruba	Nm	M6	M8	M10	M12	M14	M16
klasa 8.8		9,9	24	48	83	132	200
klasa 10.9		14	34	67	117	185	285

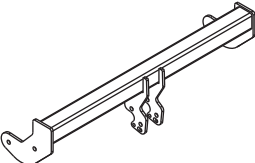

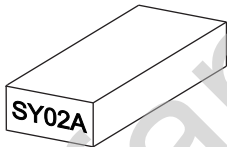


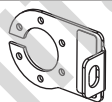

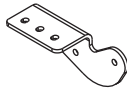
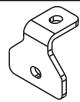




0 km →



1000 km



1 	x1		9 M12x70	x1	
			10 M12x35	x3	
			11 M12x1.25x35	x6	
			12 M12	x4	
2  Art.nr-KL1SY02A	x1		13 ϕ 13	x10	
				14 ϕ 12.2	x10
3 	x1 Art.nr-BL1SY02A				
4 	x1				
5 	x1				
6 	x1				
7 	x1 ϕ 25x4, L=16mm				
8 	x1 ϕ 80x ϕ 13x8mm				

