

PPUH AUTO-HAK Sp.J.

Henryk i Zbigniew Nejman
ul. Słoneczna 16K 76-200 SŁUPSK
POLAND

tel/fax +48 59 8 414 414; +48 59 8 414 413

e-mail: office@autohak.com.pl

www.autohak.com.pl



AUTO-HAK



SUBARU LEGACY V SEDAN, KOMBI/TOURING

Cat. no:

SU50



09.2009 →



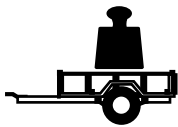
E20-55R-01 5041



2h



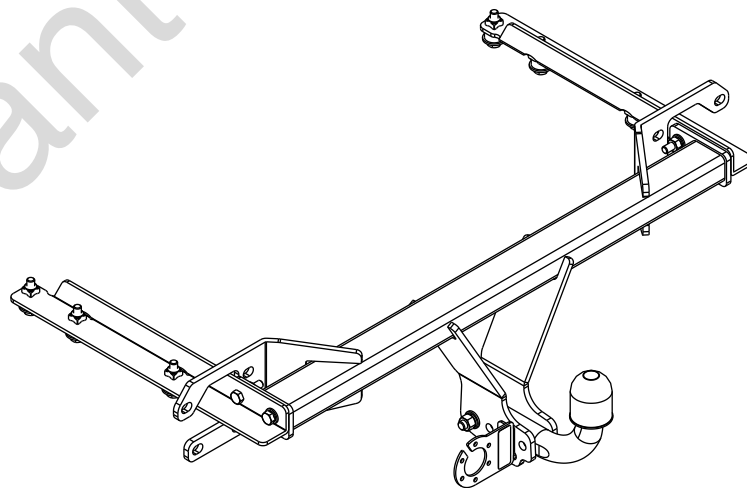
9,80 kN



R=1800 kg



S=80 kg



M6 - 11 Nm
M10 - 50 Nm
M14 - 138 Nm

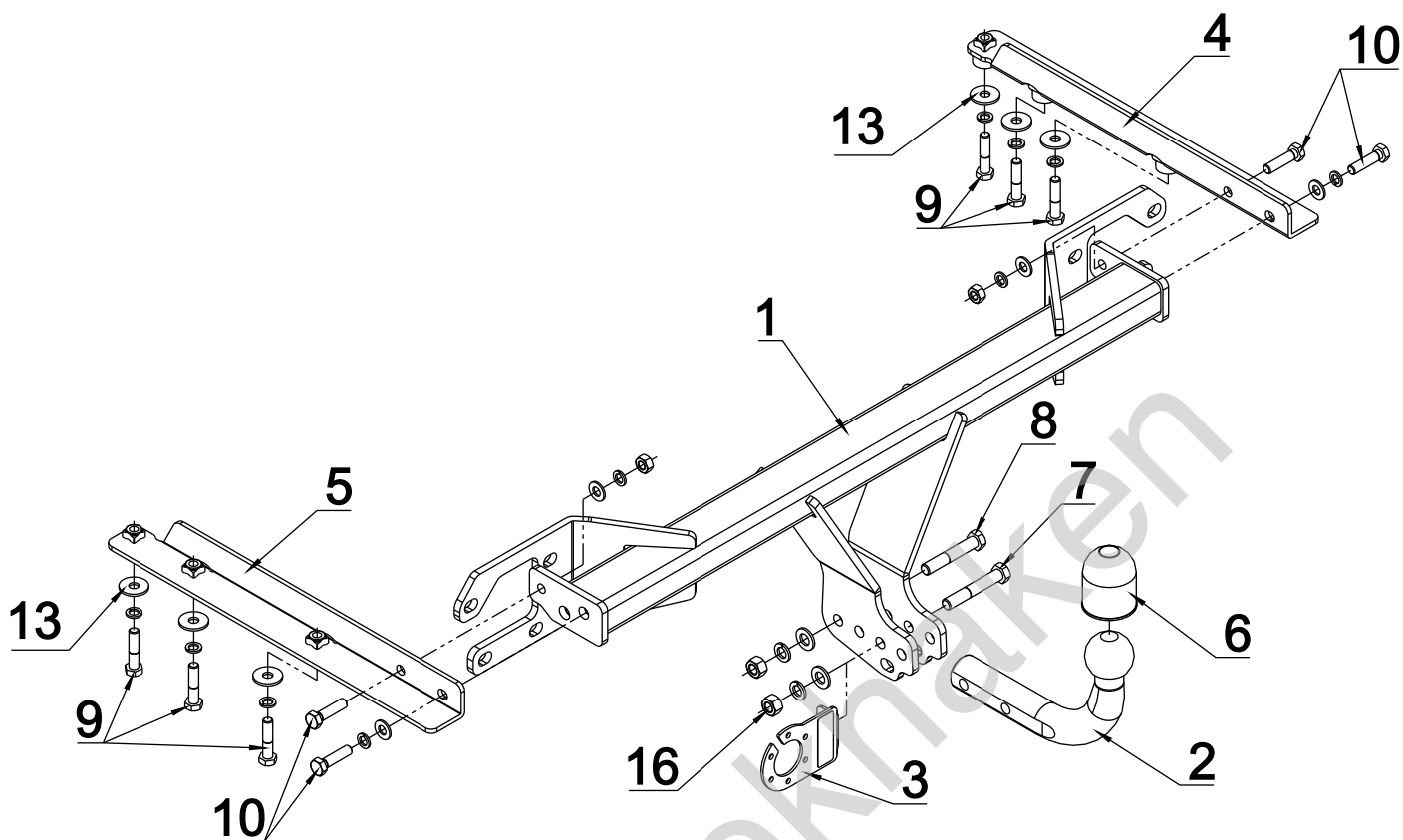
M8 - 25 Nm
M12 - 87 Nm
M16 - 210 Nm

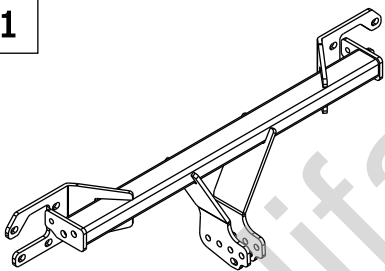

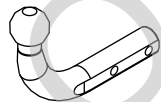

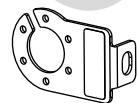

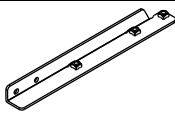
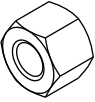
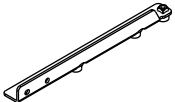



0 km →



1000 km



	x 1		7 M12x75	x 1
			8 M12x70	x 1
			9 M10x45	x 6
			10 M10x40	x 4
			11 \varnothing 13	x 2
			12 \varnothing 10,5	x 4
	x 1 Art.nr-KL1SU50		13 \varnothing 30x \varnothing 10.5x2.5 10 (DIN 9021)	x 6
			14 \varnothing 12.2	x 2
	x 1 Art.nr-BL1SU50		15 \varnothing 10.2	x 10
			16 M12	x 2
	x 1		17 M10	x 2
			5	x 1
	x 1			
		6	x 1	
	x 1			

