

AUTO-HAK Sp. z o.o.

ul. Słoneczna 16K 76-200 SŁUPSK
POLAND

tel/fax +48 59 8 414 414; +48 59 8 414 413

e-mail: office@autohak.com.pl

www.autohak.com.pl



AUTO-HAK

SUBARU OUTBACK

Nr kat.

SU49A



01.2015 → 03.2021



E20-55R-01 4552

D

10,52 kN



R=2000 kg



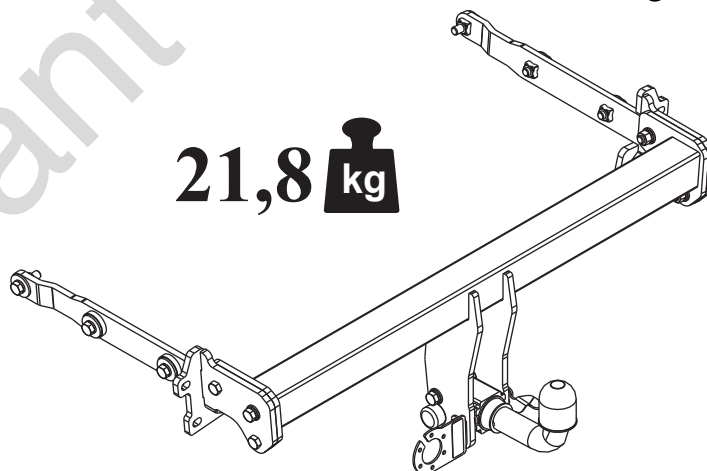
S=90 kg



2h



21,8 kg



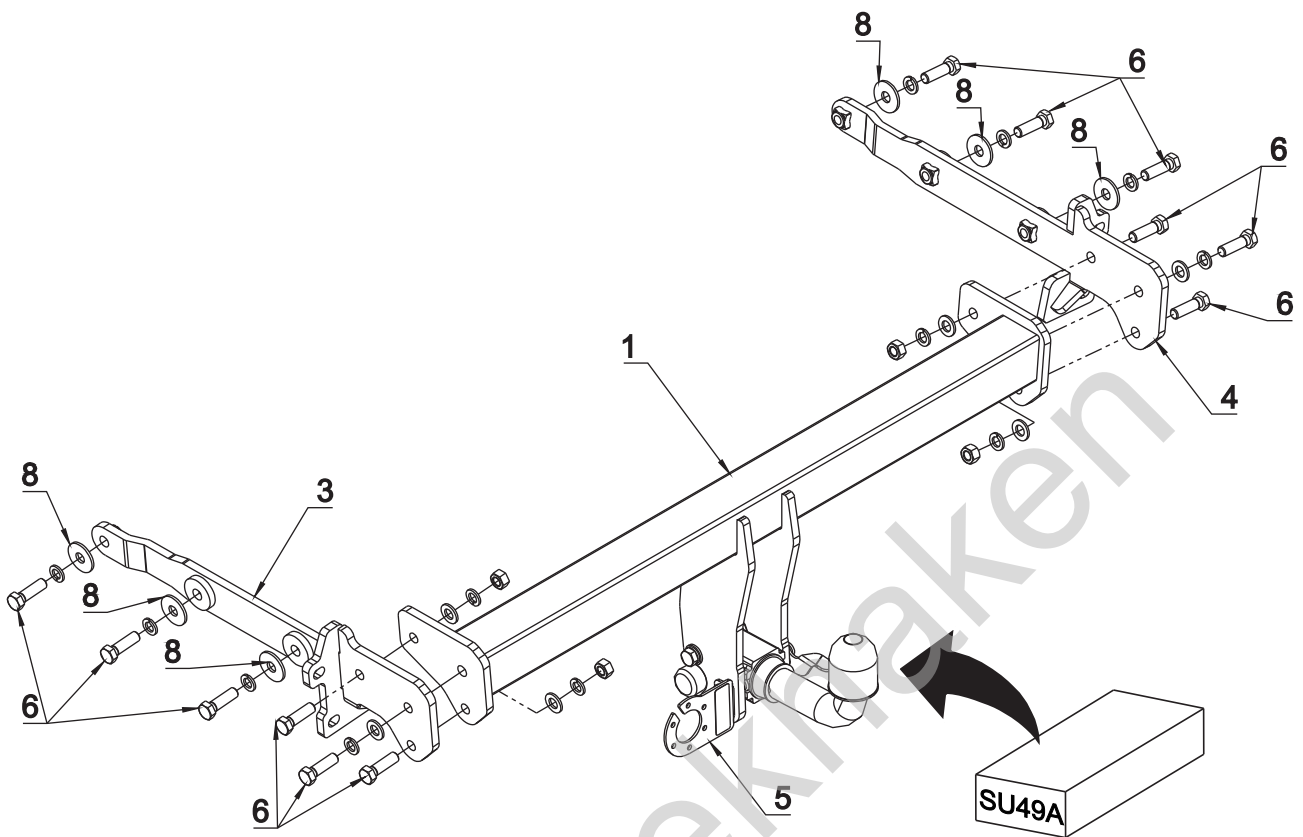
śruba	Nm	M6	M8	M10	M12	M14	M16
klasa 8.8		9,9	24	48	83	132	200
klasa 10.9		14	34	67	117	185	285

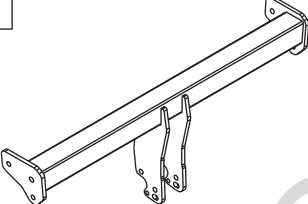

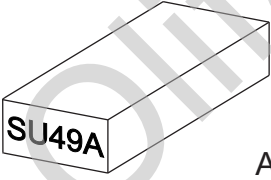



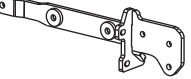

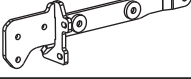
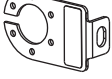


0 km →

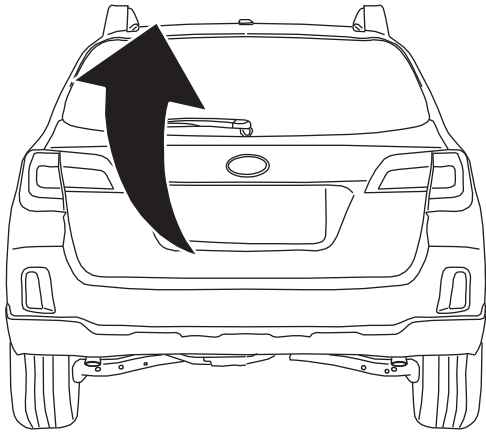


1000 km

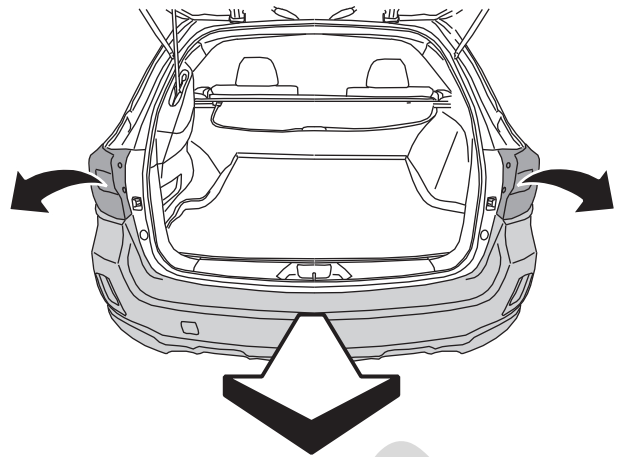


	x1		6 M12x40	x12
 <p>Art.nr-Z100 Art.nr-KL1SU49A</p>	x1		7 \varnothing 13	x8
			8 \varnothing 37x \varnothing 13x3 13 (DIN 9021)	x6
			09 \varnothing 12.2	x14
	x1		10 M12	x6
	x1			
	x1	Art.nr-BL1SU49A		

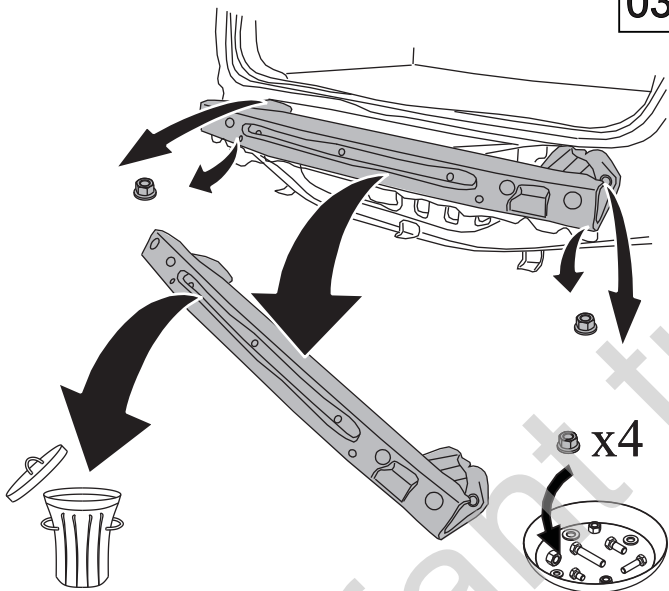
01



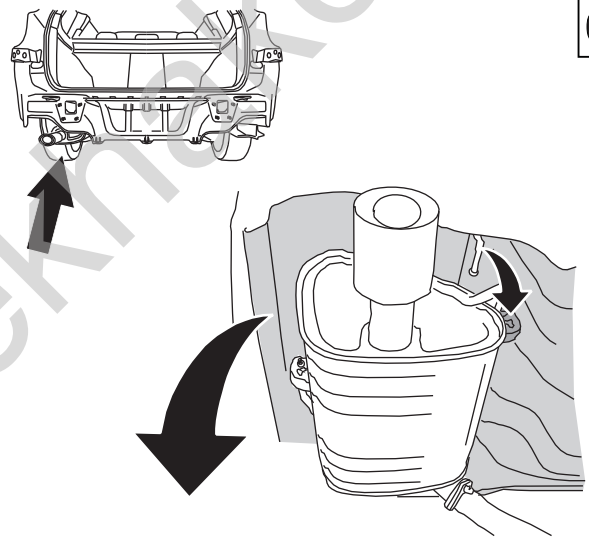
02



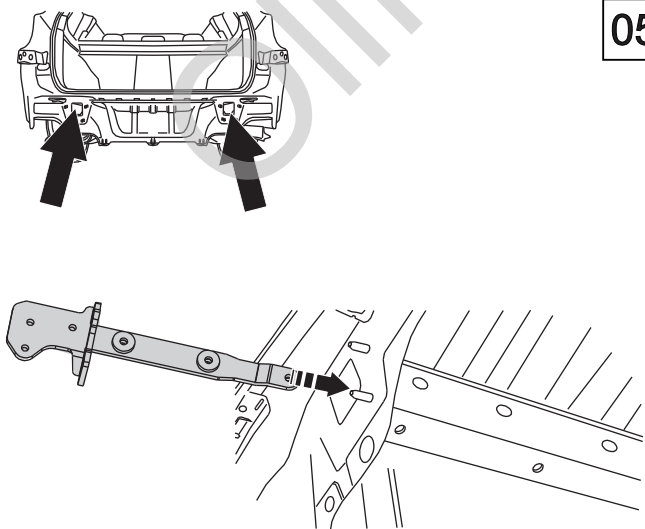
03



04



05



06

